

BALDOR® • **RELIANCE**

Product Information Packet

ECP49354T-4

350HP, 1785RPM, 3PH, 60HZ, L449T, A44176M, TEF

Part Detail							
Revision:	S	Status:	PRD/A	Change #:		Proprietary:	No
Type:	AC	Prod. Type:	A44176M	Elec. Spec:	A44WG1557	CD Diagram:	416820-036
Enclosure:	TEFC	Mfg Plant:		Mech. Spec:		Layout:	617423-006
Frame:	L449T	Mounting:	F1	Poles:	04	Created Date:	10-19-2010
Base:		Rotation:	R	Insulation:	F	Eff. Date:	10-05-2015
Leads:	3#2 (04 per group)					Replaced By:	
Literature:		Elec. Diagram:					

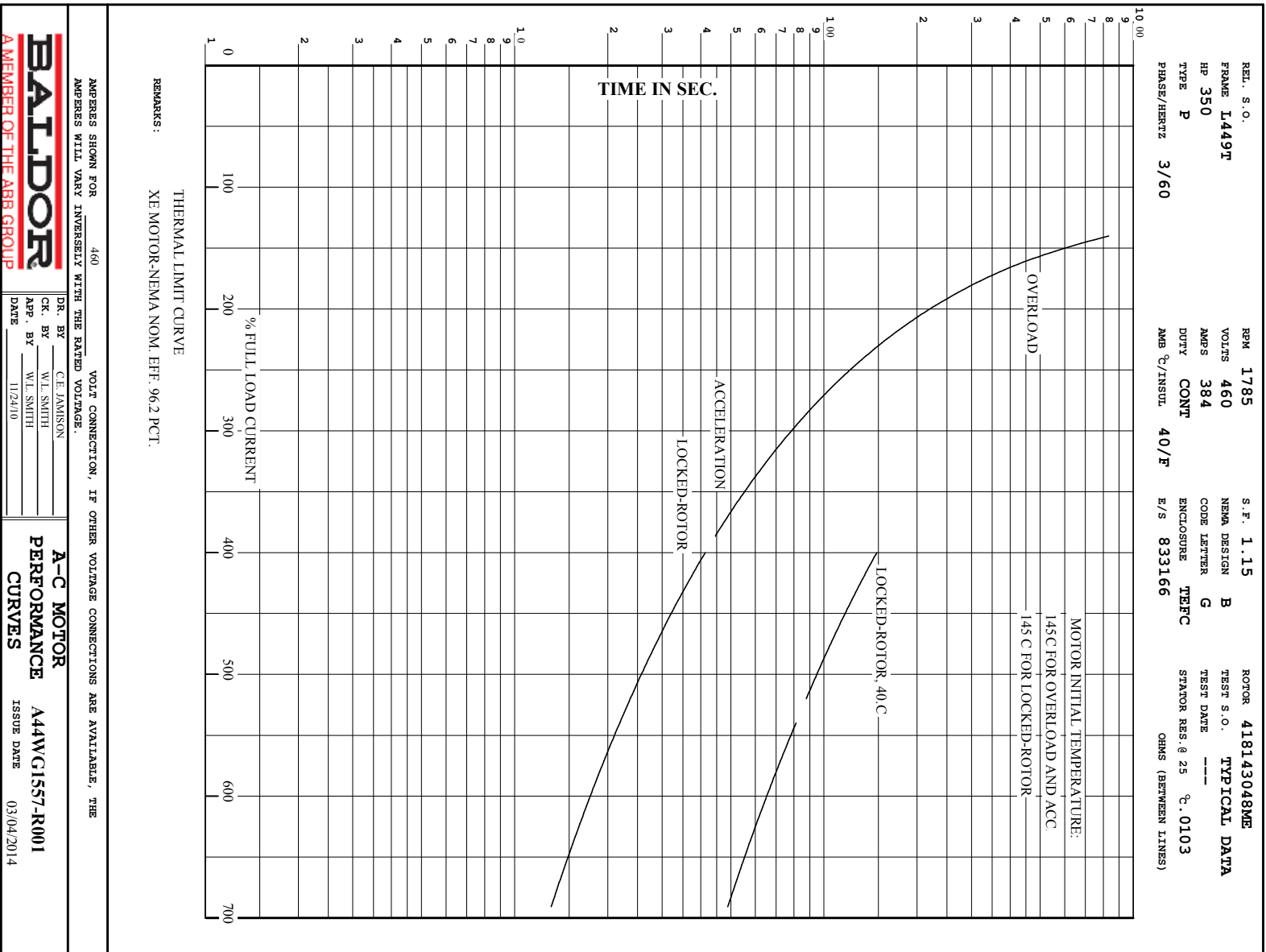
Nameplate NP3238									
CAT NO	ECP49354T-4	SPEC NO.	P44G5908						
HP	350	AMPS	384	VOLTS	460	DESIGN	B		
FRAME	L449T	RPM	1785	HZ	60	AMB	40	SF	1.15
D.E. BRG.DATA	6222	O.D.E. BRG.DATA	6318	PH	3	DUTY	CONT	INSUL.CLASS	F
D.E. BRG.	110BC02J30X	TYPE	P	ENCL	TEFC	CODE	G	NEMA NOM EFFICIENCY	96.2
O.D.E. BRG.	90BC03J30X	POWER FACTOR	87.9	MAX CORR KVAR	50	GUARANTEED EFFICIENCY	95.8		
3/4 LOAD EFF.	96.6	TEMP	= 230						
TEMP CODE	T2C	CT HZ	30-60	VT HZ	0-60				
CHP HZ	60-90								
INVERTER-TEMP-CODE	T2C								
SER.NO.		MOTOR WEIGHT	3543						

Parts List		
Part Number	Description	Quantity
SA208364	SA P44G5908	1.000 EA
RA195629	RA P44G5908	1.000 EA
NP3238	SS CP XEX SEVERE DUTY MAIN NP	1.000 EA
000692000FF	N/P	1.000 EA
000692000VD	LABEL WARNING	1.000 EA
004824015A	GREASE POLYREX EM	1.156 LB
032018008CK	HHCS 3/8-16X1L PLATED	4.000 EA
032018020FK	HHCS 3/4-10X2-1/2 PLTD.	4.000 EA
032018030DK	HHCS 1/2-13X3-3/4 PLTD.	3.000 EA
032620016LA	SOCKET SET SCREW-449	3.000 EA
032018030DK	HHCS 1/2-13X3-3/4 PLTD.	3.000 EA
034017014AB	LCKW 3/8 STD. PLATED	4.000 EA
032018020FK	HHCS 3/4-10X2-1/2 PLTD.	4.000 EA
034180014DA	KEY 1/4X1/4X1-3/4 L	1.000 EA
034530064AB	P/NIP 1/8 X 8" L Pipe Nipple	1.000 EA
034530064BB	P/NIP 1/4X8 PLATED	1.000 EA
034631002AB	BUSH 1/4 TO 1/8 PLTD.	1.000 EA
035000001G	GREASE RELIEF FITTING, ALEMITE 317400	1.000 EA
034690005AB	PPLG 3/4 PLATED	2.000 EA
078548001R	FAN KB 234/150 (84) 400	1.000 EA
083199082RA	G28 SHORT FAN COVER W/BAFFLE ASSEMBLY	1.000 EA
089490099A	G28 BRKT 089490098WCA KB	1.000 EA
410700004A	WSHR	1.000 EA
412118006A	DRAIN	1.000 EA

Parts List (continued)		
Part Number	Description	Quantity
415045002A	SLGR	1.000 EA
415072001B	CLAMP	1.000 EA
415096002A	CPLG 1/8 HEX TYPE	1.000 EA
089490101A	G28 BRKT 089490100WCA	1.000 EA
412118006A	DRAIN	1.000 EA
415915007G	GASK, LAC	1.000 FT
415045002D	SLGR - 440	1.000 EA
415096002A	CPLG 1/8 HEX TYPE	1.000 EA
418151014H	RETAIN RING	1.000 EA
702623022A	G28 AIR DEFLECTOR DRIVE END -- PLASTIC	1.000 EA
032018004BK	HHCS 5/16-18X1/2 PLATED	3.000 EA
032018006BK	HHCS 5/16-18X3/4 PLATED	3.000 EA
034017013AB	LCKW 5/16 STD. PLATED	3.000 EA
034530056AB	1/8 X 7 PP NIPPLE	1.000 EA
034530056BB	P/NIP 1/4X7 SCHED 40	1.000 EA
034631002AB	BUSH 1/4 TO 1/8 PLTD.	1.000 EA
035000001G	GREASE RELIEF FITTING, ALEMITE 317400	1.000 EA
034017013AB	LCKW 5/16 STD. PLATED	3.000 EA
702623013A	THERMAL BARRIER -- G28 -- BRACKET MTD	1.000 EA
032018008BK	HHCS 5/16-18X1L PLATED	4.000 EA
032018008DK	HHCS 1/2-13X1 PLATED	4.000 EA
032130014DB	HSHCS1/2-13X1-3/4 PLATE	4.000 EA
033512004LB	HHTTS 1/4-20X1/2 PLTD.	1.000 EA
034000016AB	WSHR .531ID 1.062OD .095	4.000 EA

Product Information Packet: ECP49354T-4 - 350HP,1785RPM,3PH,60HZ,L449T,A44176M,TEF

035000001A	ALFTG 1/8" 1610-BL	1.000 EA
035000001A	ALFTG 1/8" 1610-BL	1.000 EA
067053014A	GASK 440	1.000 EA
076870000B	+CBCST BLKT - 440	1.000 EA
076871000A	+CBOX CVR BLKT - 449	1.000 EA
406056007A	GASKET, 440	1.000 EA
406099000A	PLUG - FAN COVER 320-440	1.000 EA
415000103D	T/LUG #4AWG-1/0AWG W/HOLE FOR .250 BOLT	1.000 EA
415030115A	G28 C/BOX 415030114WCA	1.000 EA
418150003A	GREASE FITTING CAP	1.000 EA
418150003A	GREASE FITTING CAP	1.000 EA
033775004EA	DRSCR #6-1/4 304 S.S.	2.000 EA
034180054KA	KEY 7/8X7/8X6-3/4 L	1.000 EA
MG1025N19	WILKO 778.50 BLUE GREEN - 55 GAL DRUMS	0.375 GA
004824003CBY	WILKO PAINT 060.02 - ACTIVATOR	0.094 GA
L482401016	SPRAY AC-29-7S	0.013 GA
421948051	LABEL, MYLAR	1.000 EA
415039027A	GASKET, G28 LEAD THROAT	2.000 EA
PK5005A01	WOOD BASE 449 60 X 41-1/2 BLT 25 X 18	1.000 EA
LB1449	DIV-2/NEC WARNING LABEL	1.000 EA
000613006PU	N/P (RELEASE QTY 10,000) UL CSA LABEL	1.000 EA



BALDOR
A MEMBER OF THE ABB GROUP

DR. BY CE JAVISON
CK. BY WL SMITH
APP. BY WL SMITH
DATE 11/24/10

A-C MOTOR
PERFORMANCE
CURVES

A44W/G1557-R001
ISSUE DATE 03/04/2014

REL. S.O.	FRAME	HP	TYPE	PHASE/ HERTZ	RPM	VOLTS
	L449T	350	P	3/60	1785	460
AMPS	DUTY	AMB °C/ INSUL.	S.F.	NEMA DESIGN	CODE LETTER	ENCL.
384	CONT	40/F	1.15	B	G	TEFC
E/S	ROTOR	TEST S.O.	TEST DATE	STATOR RES. @25 °C OHMS (BETWEEN LINES)		
833166	418143048ME	---	---	.0103		

PERFORMANCE

LOAD	HP	AMPERES	RPM	POWER FACTOR %	EFFICIENCY %
NO LOAD	0	94.2	1800	3.62	0
1/4	87.6	131	1796	65.8	95.4
2/4	175	202	1792	84.0	96.6
3/4	262	289	1788	88.0	96.6
4/4	350	384	1784	88.8	96.2
5/4	438	481	1779	89.1	95.6

SPEED TORQUE

	RPM	TORQUE % FULL LOAD	TORQUE LB.-FT.	AMPERES
LOCKED ROTOR	0	144	1484	2411
PULL UP	1150	118	1220	2075
BREAKDOWN	1728	246	2537	1464
FULL LOAD	1784	100	1031	384

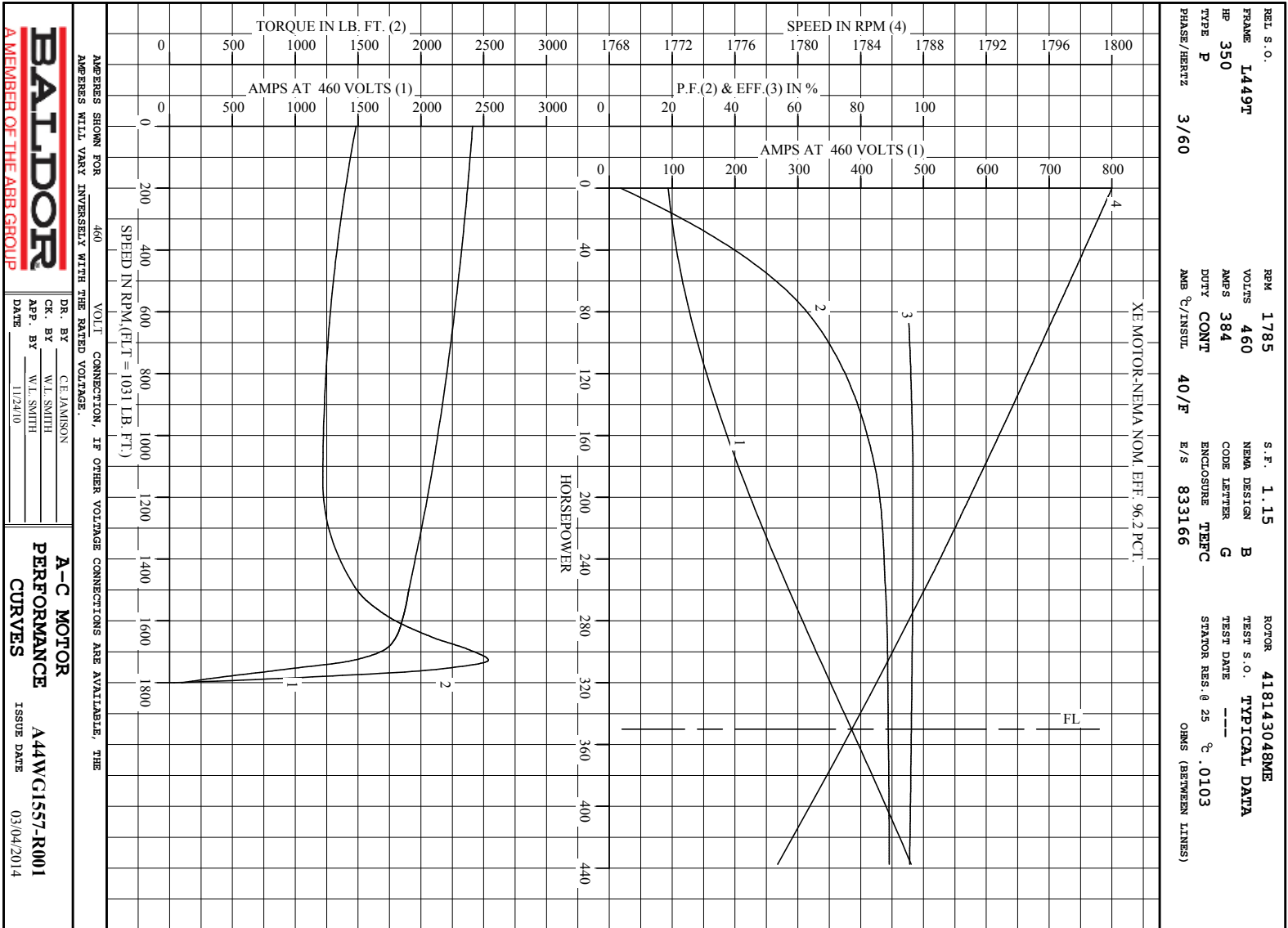
AMPERES SHOWN FOR 460. VOLT CONNECTION. IF OTHER VOLTAGE CONNECTIONS ARE AVAILABLE, THE AMPERES WILL VARY INVERSELY WITH THE RATED VOLTAGE

REMARKS: TYPICAL DATA
 XE MOTOR-NEMA NOM. EFF. 96.2 PCT.



DR. BY C.E. JAMISON
 CK. BY W.L. SMITH
 APP. BY W.L. SMITH
 DATE 11/24/10

A-C MOTOR
 PERFORMANCE DATA
 A44WG1557-R001
 ISSUE DATE 03/04/20



BALDOR
A MEMBER OF THE ABB GROUP

DR. BY CE JAMISON
 CK. BY W.L. SMITH
 App. BY W.L. SMITH
 DATE 11/24/10

A-C MOTOR
PERFORMANCE
CURVES
A44WC1557-R001
 ISSUE DATE 03/04/2014

Printed on 3/4/14 7:48 @ zagsun

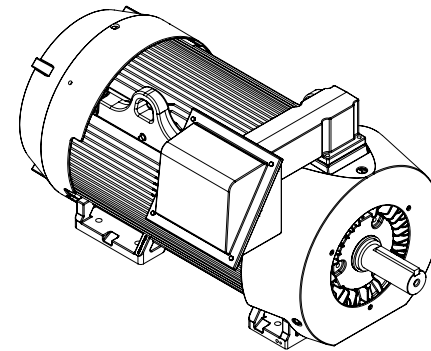
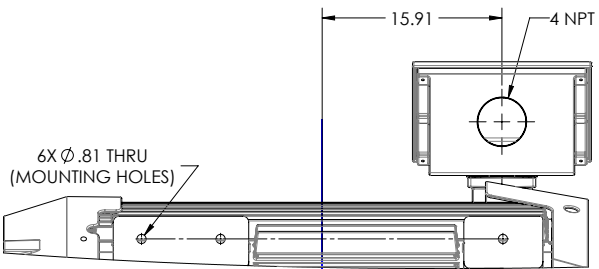
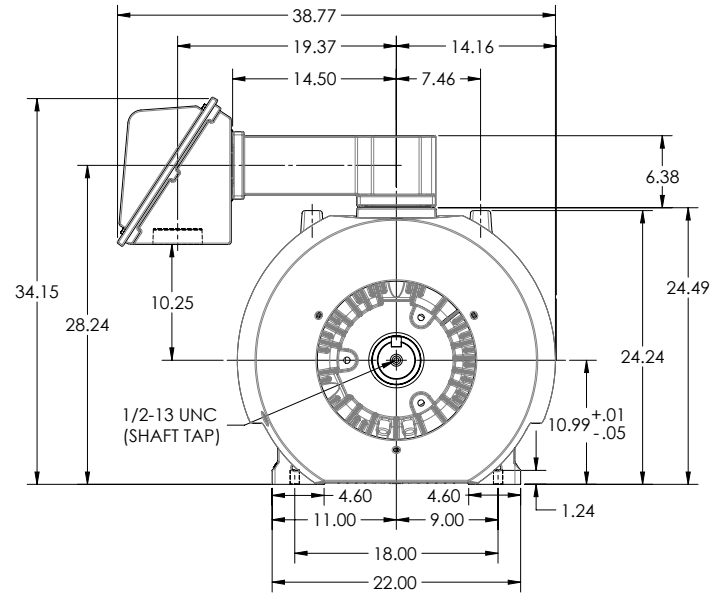
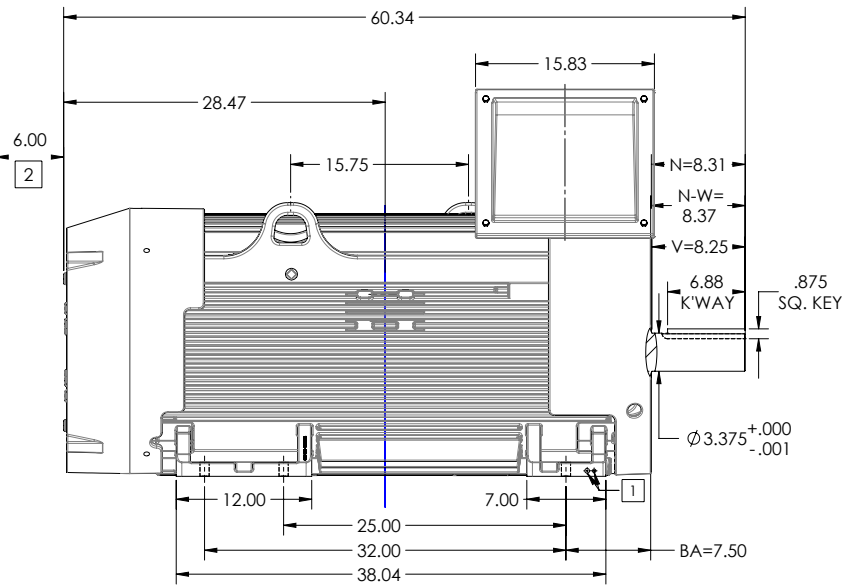
DUTY MASTER ALTERNATING CURRENT MOTORS
SQUIRREL-CAGE INDUCTION

617423-006

ENCLOSURE: TOTALLY ENCLOSED
MOUNTING: FOOT, F-1

GL449T/G449T FRAME MOUNTING HOLES

COOLING: FAN COOLED



1. GROUND HOLES QTY 1 1/2-13 TAP; QTY 1 3/8-16 TAP
2. OBSTRUCTION MUST NO ENCROACH ON AIR INLET

CONDUIT BOX LOCATED ON OPPOSITE SIDE WHEN F-2.
IF MOUNTING CLEARANCE DETAILS ARE REQUIRED, CONSULT FACTORY.
MAXIMUM PERMISSIBLE SHAFT RUNOUT WHEN MEASURED AT END OF
STANDARD SHAFT EXTENSION IS .003" T.I.R. TO 5 INCH DIA.

DIMENSIONS ARE IN INCHES; SEE SHEET 2 FOR DIMENSIONS IN MILLIMETERS.
WEIGHT (LBS): 3875, MOTOR WEIGHTS MAY VARY BY 15% DEPENDING ON RATING.
CUSTOMER IS RESPONSIBLE FOR DETERMINING THAT MOTOR PERFORMANCE IS SUITABLE IN THE APPLICATION.

REV. C	VERSION: 03	REVISED: 11-13-58 03/30/2016	TDR: 00000973129
MODEL NO. 617423-006		REF: -	
BY: USJEDIL		Material: -	

BALDOR

GL449/449T F1 FT TFC -TOP MNT CI C BOX - V-RING SLGRS

900-237219

617423-006

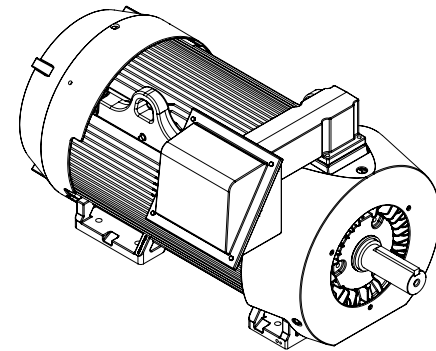
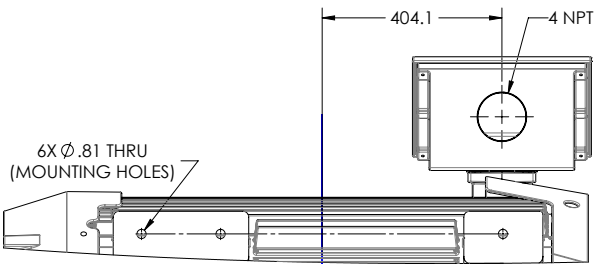
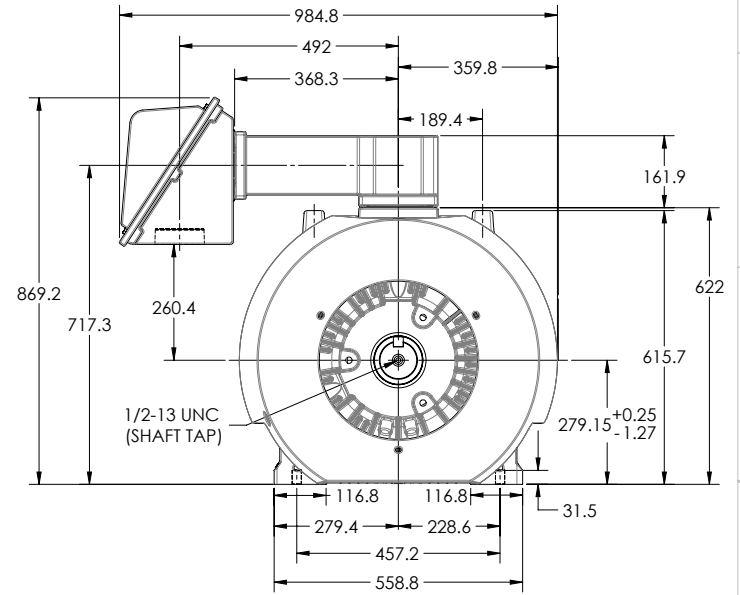
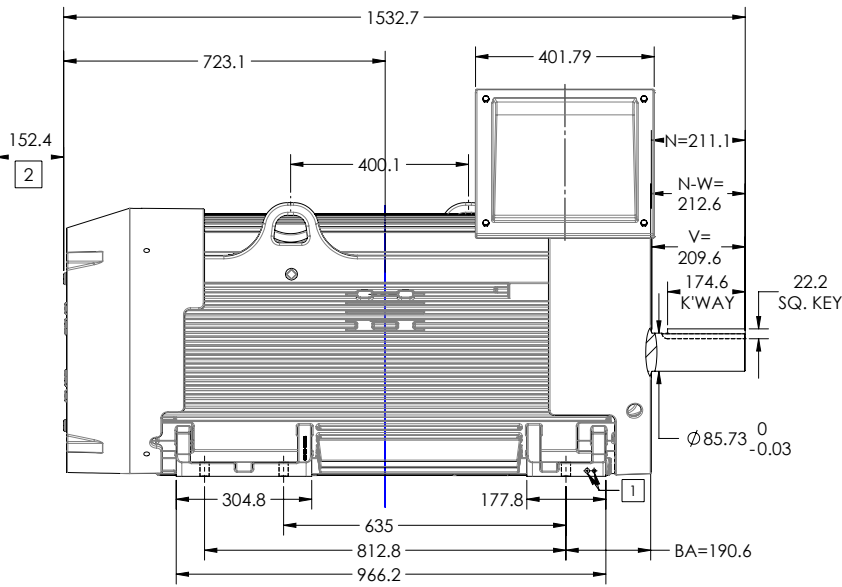
DUTY MASTER ALTERNATING CURRENT MOTORS
SQUIRREL-CAGE INDUCTION

617423-006

ENCLOSURE: TOTALLY ENCLOSED
MOUNTING: FOOT, F-1

GL449T/G449T FRAME MOUNTING HOLES

COOLING: FAN COOLED



- 1. GROUND HOLES QTY 1 1/2-13 TAP; QTY 1 3/8-16 TAP
- 2. OBSTRUCTION MUST NO ENCR OACH ON AIR INLET

CONDUIT BOX LOCATED ON OPPOSITE SIDE WHEN F-2.
IF MOUNTING CLEARANCE DETAILS ARE REQUIRED, CONSULT FACTORY.
MAXIMUM PERMISSIBLE SHAFT RUNOUT WHEN MEASURED AT END OF
STANDARD SHAFT EXTENSION IS .08 MM T.I.R. TO 127 MM DIA.

DIMENSIONS ARE IN MILLIMETERS; SEE SHEET 1 FOR DIMENSIONS IN INCHES
WEIGHT (KGS): 1760, MOTOR WEIGHTS MAY VARY BY 15% DEPENDING ON RATING.
CUSTOMER IS RESPONSIBLE FOR DETERMINING THAT MOTOR PERFORMANCE IS SUITABLE IN THE APPLICATION.

REV. C	VERSION: 03	REVISED: 11-13-58 03/30/2016	TDR: 00000973129
MODEL NO. 617423-006		REF: -	
BY: USJEDIL		Material: -	

BALDOR

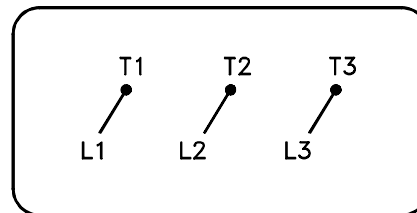
GL449/449T F1 FT TEF-C-TOP MNT CI C/BOX - V-RING SLGRS

900-ECZ719

617423-006

416820-036

A-C MOTOR
 CONNECTION DIAGRAM
 STANDARD 3 LEAD CONNECTED



(N.P. 1575-BA)

416820-036

REV. DESC: LOADED TO BUS, C/R 335225		
REV. LTR: -	VERSION: 00	TDR: 000000538207
FILE: \MGA\00000\682	REVISED: 11:54:06 04/30/2010	
MTL: -	BY: RAGRA	

BALDOR

CONN DIAG - STANDARD 3 LEAD

SH 1 of 1

Marketing maintained PDF of MN408:

<http://www.baldor.com/support/Literature/Load.ashx/MN408?ManNumber=MN408>

Marketing maintained PDF of MN416:

<http://www.baldor.com/support/Literature/Load.ashx/MN416?ManNumber=MN416>