

BALDOR® • RELIANCE

Product Information Packet

EJMM3313T-5

10HP,1770RPM,3PH,60HZ,215JM,3739M,OPSB,F

Part Detail							
Revision:	B	Status:	PRD/A	Change #:		Proprietary:	No
Type:	AC	Prod. Type:	3739M	Elec. Spec:	37WGT932	CD Diagram:	CD0006
Enclosure:	OPSB	Mfg Plant:		Mech. Spec:	37F696	Layout:	37LYF696
Frame:	215JM	Mounting:	F1	Poles:	04	Created Date:	08-18-2015
Base:	RG	Rotation:	R	Insulation:	F	Eff. Date:	01-19-2017
Leads:	3#14					Replaced By:	
Literature:		Elec. Diagram:					

Nameplate NP1259L										
CAT.NO.	EJMM3313T-5									
SPEC.	37F696T932G1									
HP	10									
VOLTS	575									
AMP	10									
RPM	1770									
FRAME	215JM				HZ	60			PH	3
SER.F.	1.15		CODE	H	DES	B		CL	F	
NEMA-NOM-EFF	91.7		PF	82						
RATING	40C AMB-CONT									
CC	010A				USABLE AT 208V					
DE	6309				ODE	6206				
ENCL	OPSB		SN							

Parts List		
Part Number	Description	Quantity
SA305676	SA 37F696T932G1	1.000 EA
RA292902	RA 37F696T932G1	1.000 EA
HA6361A01	LIFTING LUG FOR 37, 39 & 40 FRAME ZINC	2.000 EA
37CB3004	37 CB CASTING W/1.09 LEAD HOLE @ 6:00	1.000 EA
51XW2520A10	.25-20 X .62, TAPTITE II, HEX WSHR SLTD	2.000 EA
11XW1032G06	10-32 X .38, TAPTITE II, HEX WSHR SLTD U	1.000 EA
37EP3200A01SP	FR ENDPLATE, FOR ROUTING PURPOSES	1.000 EA
HA1104A01	RODENT SCREEN 37 FRAME 206 BRG FRONT END	1.000 EA
51XW1032A06	10-32 X .38, TAPTITE II, HEX WSHR SLTD S	4.000 EA
HW1000A10	#10 FLAT WASHER (SAE)	4.000 EA
HW4500A01	1641B(ALEMITE)400 UNIV, GREASE FITT	1.000 EA
HW5100A06	W2420-025 WVY WSHR (WB)	1.000 EA
37PE3401A04	PUEP ASSEMBLY FOR ROUTING PURPOSES	1.000 EA
HA1222	RODENT SCREEN - 37 C-FACE MOTORS	4.000 EA
51XW1032A06	10-32 X .38, TAPTITE II, HEX WSHR SLTD S	2.000 EA
HW1000A10	#10 FLAT WASHER (SAE)	2.000 EA
HW4500A01	1641B(ALEMITE)400 UNIV, GREASE FITT	1.000 EA
10XN2520A36	1/4-20X 2 1/4 HEX HD X	4.000 EA
HW1001A25	LOCKWASHER 1/4, ZINC PLT .493 OD, .255 I	4.000 EA
XY3118A12	5/16-18 HEX NUT DIRECTIONAL SERRATION	4.000 EA
37CB4516	LIPPED LID FOR 37 FRAME NEC KOBX	1.000 EA
51XW0832A07	8-32 X .44, TAPTITE II, HEX WSHR SLTD SE	4.000 EA
HW4600A73	SLINGER 1.748 X 2.375 X 0.250 FACE SEAL	1.000 EA
HW2501D13	KEY, 3/16 SQ X 1.375	1.000 EA

Parts List (continued)		
Part Number	Description	Quantity
HA7000A02	KEY RETAINER RING, 1 1/8 DIA, 1 3/8 DIA	1.000 EA
85XU0407S04	4X1/4 U DRIVE PIN STAINLESS	2.000 EA
LB1115N	LABEL,LIFTING DEVICE (ON ROLLS)	1.000 EA
MJ1000A02	GREASE, POLYREX EM EXXON (USe 4824-15A)	0.050 LB
MG1000Y03	MUNSELL 2.53Y 6.70/ 4.60, GLOSS 20,	0.028 GA
HA3104A35	THRUBOLT .31-18 X 13.687	4.000 EA
37AD2001A01	BAFFLE PLATE, STAMPED	2.000 EA
LB1119N	WARNING LABEL	1.000 EA
LC0006	CONNECTION LABEL	1.000 EA
NP1259L	ALUM SUPER-E UL CSA-EEV CC NEMA PREMIUM	1.000 EA
G7PA1000	PKG GRP, PRINT PK1034A06	1.000 EA
MN416A01	TAG-INSTAL-MAINT no wire (1000/bx) 11/14	1.000 EA

AC Induction Motor Performance Data

Record # 28137 - Typical performance - not guaranteed values

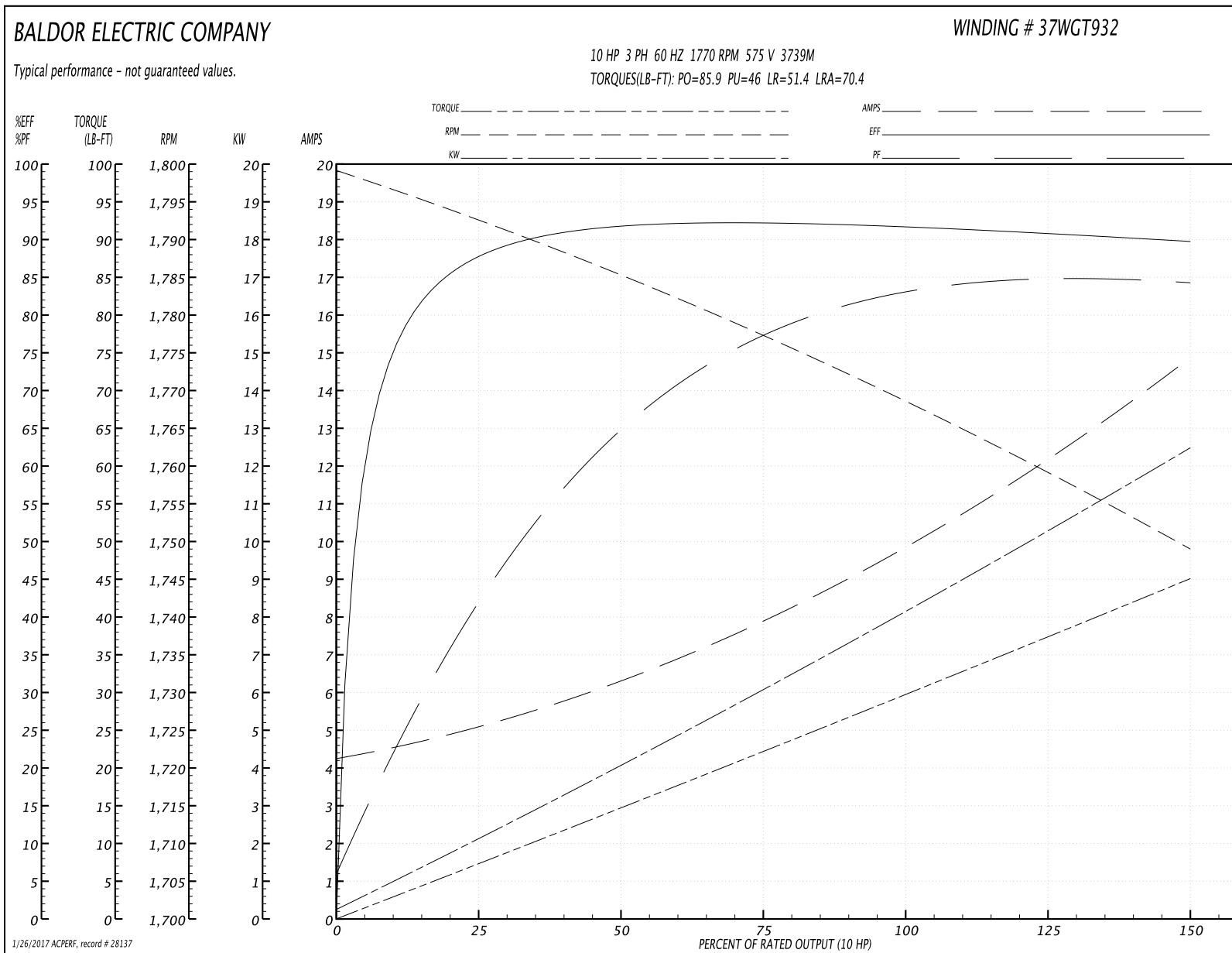
Winding: 37WGT932-R003	Type: 3739M	Enclosure: OPSB
-------------------------------	--------------------	------------------------

Nameplate Data				575 V, 60 Hz: Single Voltage Motor	
Rated Output (HP)	10			Full Load Torque	29.7 LB-FT
Volts	575			Start Configuration	direct on line
Full Load Amps	10			Breakdown Torque	85.9 LB-FT
R.P.M.	1770			Pull-up Torque	46 LB-FT
Hz	60	Phase	3	Locked-rotor Torque	51.4 LB-FT
NEMA Design Code	B	KVA Code	H	Starting Current	70.4 A
Service Factor (S.F.)	1.15			No-load Current	4.39 A
NEMA Nom. Eff.	91.7	Power Factor	82	Line-line Res. @ 25°C	1.72 Ω
Rating - Duty	40C AMB-CONT			Temp. Rise @ Rated Load	34°C
S.F. Amps				Temp. Rise @ S.F. Load	42°C
				Locked-rotor Power Factor	38
				Rotor inertia	0.959 LB-FT ²

Load Characteristics 575 V, 60 Hz, 10 HP

% of Rated Load	25	50	75	100	125	150	S.F.
Power Factor	44	66	77	82	85	85	84
Efficiency	87.1	91.7	92.3	91.6	90.9	89.7	91.2
Speed	1793	1785	1777	1769	1759	1749	1763
Line amperes	4.91	6.22	7.93	10	12.2	14.8	11.3

Performance Graph at 575V, 60Hz, 10.0HP Typical performance - Not guaranteed values



AC Induction Motor Performance Data

Record # 30180 - Typical performance - not guaranteed values

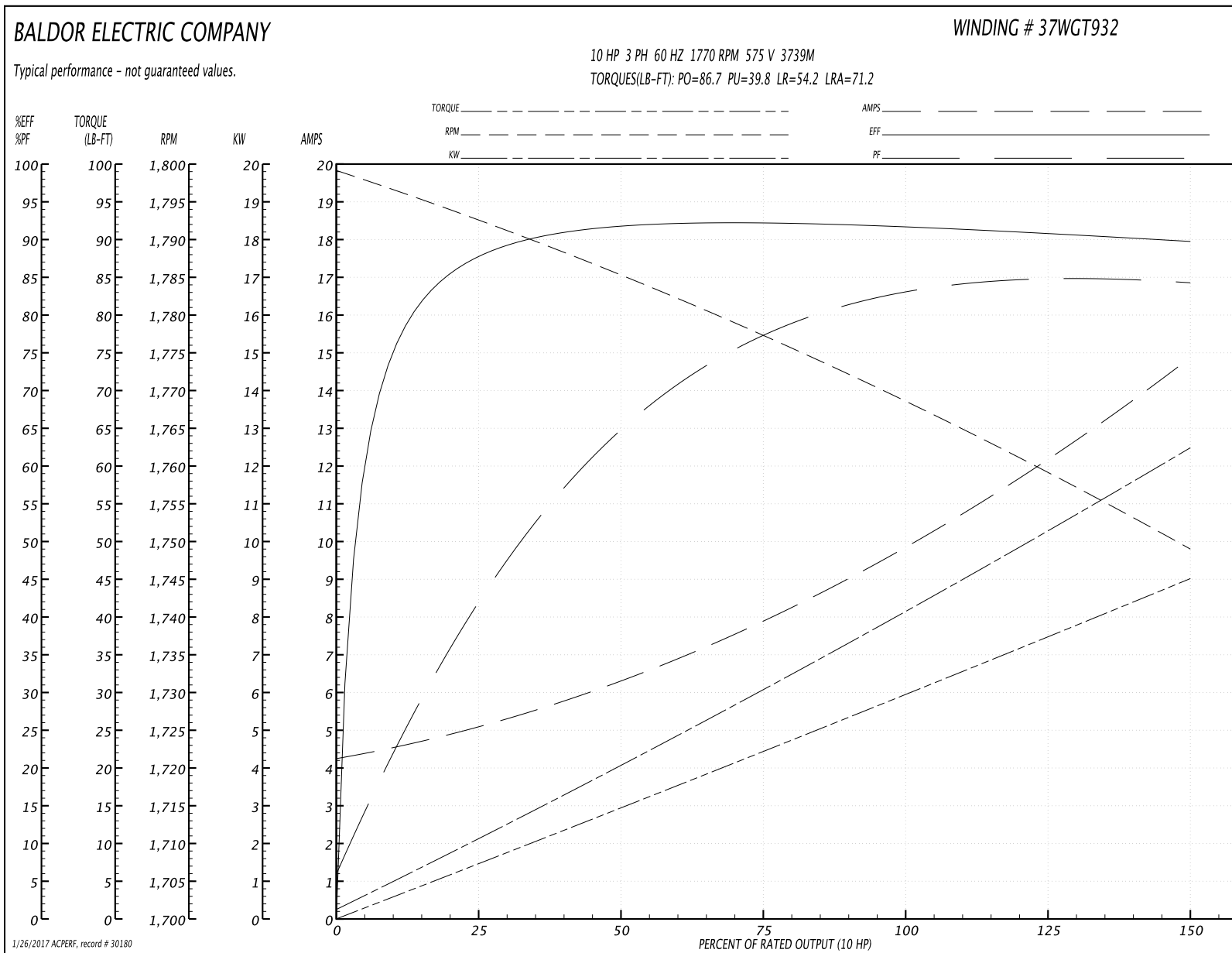
Winding: 37WGT932-R001	Type: 3739M	Enclosure: OPSB
-------------------------------	--------------------	------------------------

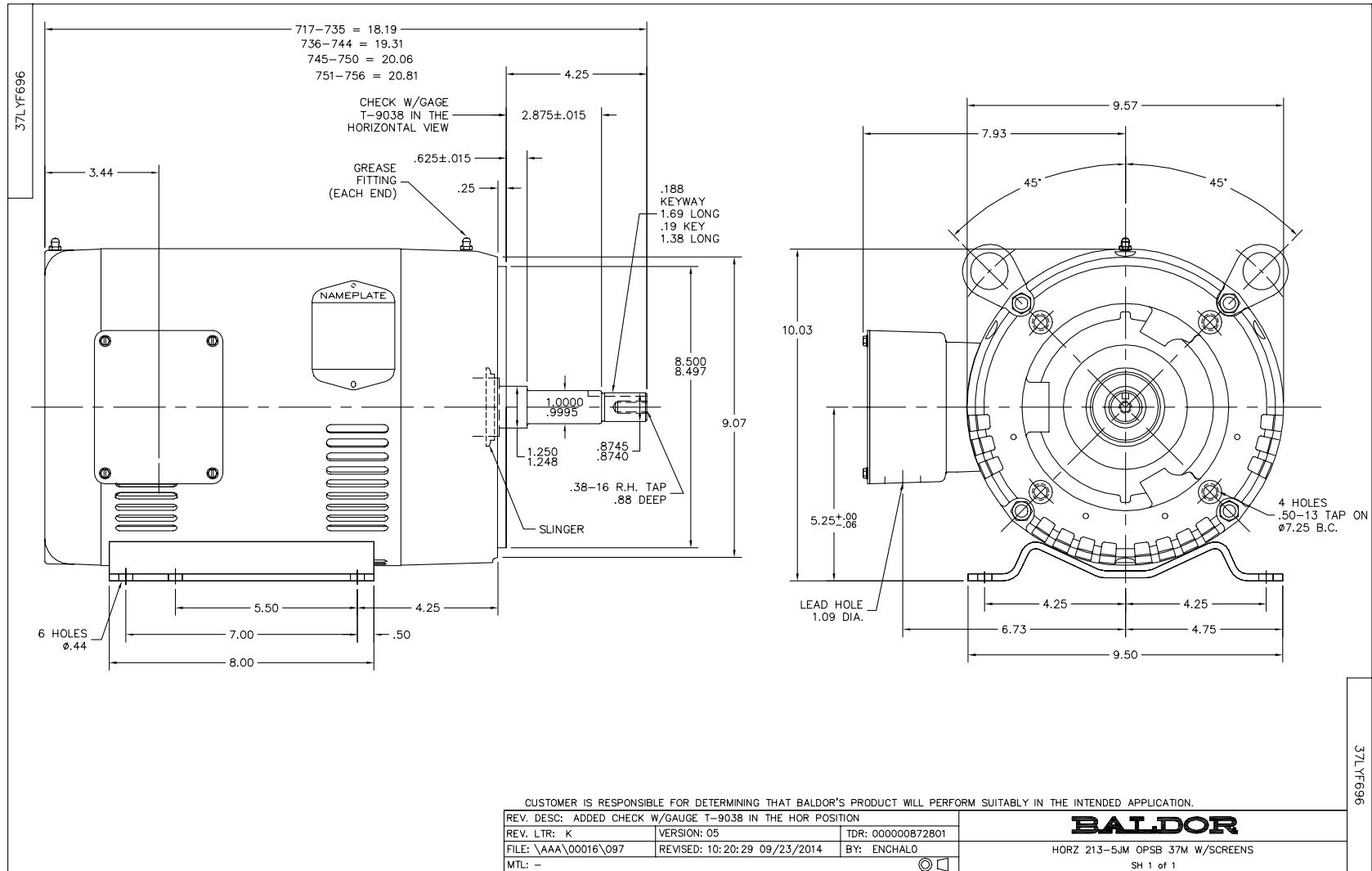
Nameplate Data				575 V, 60 Hz: Single Voltage Motor	
Rated Output (HP)	10			Full Load Torque	29.7 LB-FT
Volts	575			Start Configuration	direct on line
Full Load Amps	10			Breakdown Torque	86.7 LB-FT
R.P.M.	1770			Pull-up Torque	39.8 LB-FT
Hz	60	Phase	3	Locked-rotor Torque	54.2 LB-FT
NEMA Design Code	B	KVA Code	H	Starting Current	71.2 A
Service Factor (S.F.)	1.15			No-load Current	4.39 A
NEMA Nom. Eff.	91.7	Power Factor	82	Line-line Res. @ 25°C	1.72 Ω
Rating - Duty	40C AMB-CONT			Temp. Rise @ Rated Load	34°C
S.F. Amps				Temp. Rise @ S.F. Load	42°C
				Locked-rotor Power Factor	38
				Rotor inertia	0.959 LB-FT ²

Load Characteristics 575 V, 60 Hz, 10 HP

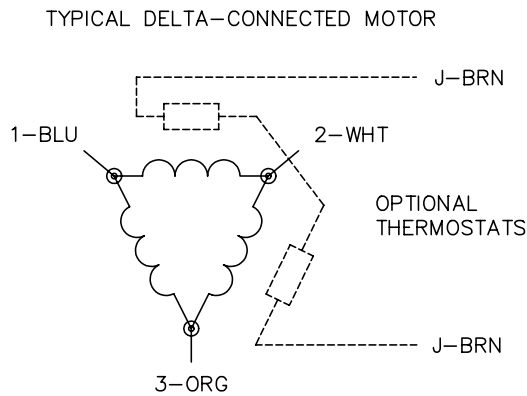
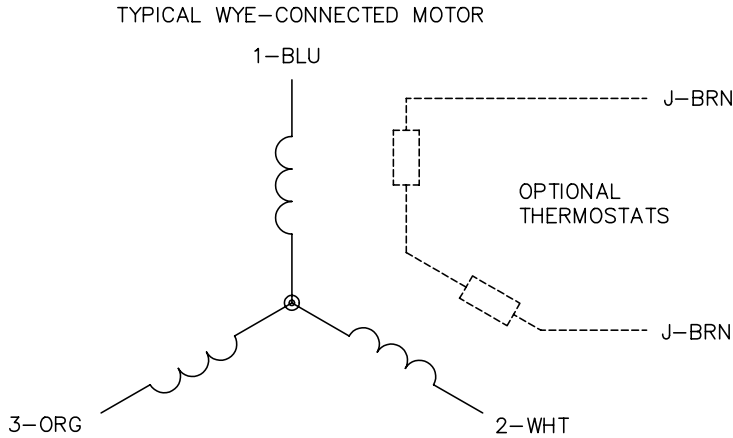
% of Rated Load	25	50	75	100	125	150	S.F.
Power Factor	44	66	77	82	85	85	84
Efficiency	87.1	91.7	92.3	91.7	90.9	89.7	91.2
Speed	1793	1785	1777	1769	1759	1749	1763
Line amperes	4.91	6.22	7.93	10	12.2	14.8	11.3

Performance Graph at 575V, 60Hz, 10.0HP Typical performance - Not guaranteed values





CD0006



NOTES:

1. THREE LEAD MOTOR MAY BE EITHER WYE CONNECTED OR DELTA CONNECTED.
2. INTERCHANGE ANY TWO LINE LEADS TO REVERSE ROTATION.
3. OPTIONAL THERMOSTATS ARE PROVIDED WHEN SPECIFIED.
4. ACTUAL NUMBER OF INTERNAL PARALLEL CIRCUITS MAY VARY.
5. LEAD COLORS ARE OPTIONAL. LEADS MUST BE NUMBERED AS SHOWN.

REV. DESC: REVISE TO SHOW OPTIONAL COLORS			
REV. LTR: D	BY: JLP	REVISED: 01/21/99 4:02	TDR: 0171435
9000D		FILE: AAA00005141	MDL: -
		MTL: -	

BALDOR ELECTRIC Co.

3PH, SV, 3 LEADS, WYE OR DELTA CONNECTED

CD0006