

BALDOR® • **RELIANCE**

Product Information Packet

EJMM3613T-G

5HP,3450RPM,3PH,60HZ,184JM,3630M,TEFC,F1

| Part Detail | | | | | | | |
|-------------|-------|----------------|-------|-------------|----------|---------------|------------|
| Revision: | E | Status: | PRD/A | Change #: | | Proprietary: | No |
| Type: | AC | Prod. Type: | 3630M | Elec. Spec: | 36WGS042 | CD Diagram: | CD0005 |
| Enclosure: | TEFC | Mfg Plant: | | Mech. Spec: | 36N542 | Layout: | 36LYN542 |
| Frame: | 184JM | Mounting: | F1 | Poles: | 02 | Created Date: | 11-30-2011 |
| Base: | RG | Rotation: | R | Insulation: | H | Eff. Date: | 08-19-2016 |
| Leads: | 9#16 | | | | | Replaced By: | |
| Literature: | | Elec. Diagram: | | | | | |

| Nameplate NP1259L | | | | | | | | | | | | |
|-------------------|--------------|--|--|--|--|------|------|--|----------------|----|----|---|
| CAT.NO. | EJMM3613T-G | | | | | | | | | | | |
| SPEC. | 36N542S042G1 | | | | | | | | | | | |
| HP | 5 | | | | | | | | | | | |
| VOLTS | 230/460 | | | | | | | | | | | |
| AMP | 11.8/5.9 | | | | | | | | | | | |
| RPM | 3450 | | | | | | | | | | | |
| FRAME | 184JM | | | | | HZ | 60 | | | PH | 3 | |
| SER.F. | 1.15 | | | | | CODE | L | | DES | A | CL | H |
| NEMA-NOM-EFF | 88.5 | | | | | PF | 91 | | | | | |
| RATING | 40C AMB-CONT | | | | | | | | | | | |
| CC | 010A | | | | | | | | USABLE AT 208V | 12 | | |
| DE | 6207 | | | | | ODE | 6205 | | | | | |
| ENCL | TEFC | | | | | SN | | | | | | |
| | | | | | | | | | | | | |

| Parts List | | |
|--------------|--|----------|
| Part Number | Description | Quantity |
| SA234945 | SA 36N542S042G1 | 1.000 EA |
| RA221910 | RA 36N542S042G1 | 1.000 EA |
| 34FN3002B02 | EXTERNAL FAN, PLASTIC, .905/.907 HUB W/ | 1.000 EA |
| 36CB3004 | 36 CB CASTING W/1.09 DIA LEAD HOLE @ 6:0 | 1.000 EA |
| 36GS1000SP | GASKET-CONDUIT BOX, .06 THICK #SV-330 LE | 1.000 EA |
| 51XB1016A08 | 10-16X 1/2HXWSSLD SERTYB | 2.000 EA |
| 11XW1032G06 | 10-32 X .38, TAPTITE II, HEX WSHR SLTD U | 1.000 EA |
| HW3001B01 | BRASS CUP WASHER, FOR #8 SCREW | 1.000 EA |
| 36FE3104A04 | FR ENDPLATE, FOR ROUTING | 1.000 EA |
| HW4500A01 | 1641B(ALEMITE)400 UNIV, GREASE FITT | 1.000 EA |
| HW4500A17 | 317400 ALEMITE GREASE RELIEF | 1.000 EA |
| HW5100A05 | WVY WSHR F/205 & 304 BRGS | 1.000 EA |
| 36PE3405T03 | PUEP ASSEMBLY FOR ROUTING PURPOSES | 1.000 EA |
| HW4500A01 | 1641B(ALEMITE)400 UNIV, GREASE FITT | 1.000 EA |
| HW4500A17 | 317400 ALEMITE GREASE RELIEF | 1.000 EA |
| 10XN2520A24 | 1/4-20X 1 1/2 HEX HD X | 4.000 EA |
| HW1001A25 | LOCKWASHER 1/4, ZINC PLT .493 OD, .255 I | 4.000 EA |
| 51XB1214A16 | 12-14X1.00 HXWSSLD SERTYB | 1.000 EA |
| 36FH4009A103 | IEC FH GREASER W/PRIMER | 1.000 EA |
| 51XW1032A06 | 10-32 X .38, TAPTITE II, HEX WSHR SLTD S | 3.000 EA |
| 36CB4516 | 36 LIPPED CB LID | 1.000 EA |
| 37GS1001SP | GASKET, CONDUIT BOX LID, .06 THICK LEXID | 1.000 EA |
| 51XW0832A07 | 8-32 X .44, TAPTITE II, HEX WSHR SLTD SE | 4.000 EA |
| HA1005A07 | SLINGER, OD 2.25, ID 1.344, 307 BRG | 1.000 EA |

| Parts List (continued) | | |
|-------------------------------|--|-----------------|
| Part Number | Description | Quantity |
| HW2501D13 | KEY, 3/16 SQ X 1.375 | 1.000 EA |
| HA7000A01 | KEY RETAINER 7/8" DIA SHAFT | 1.000 EA |
| 85XU0407S04 | 4X1/4 U DRIVE PIN STAINLESS | 2.000 EA |
| LB1459 | AEGIS SGR LABEL "AEGISLBL-100" | 1.000 EA |
| MJ1000A02 | GREASE, POLYREX EM EXXON (USe 4824-15A) | 0.050 LB |
| MG1000Y03 | MUNSELL 2.53Y 6.70/ 4.60, GLOSS 20, | 0.022 GA |
| HA3101A25 | THRUBOLT 1/4-20 X 11.000 OHIO ROD | 4.000 EA |
| LC0005E01 | CONN.DIA./WARNING LABEL (LC0005/LB1119N) | 1.000 EA |
| NP1259L | ALUM SUPER-E UL CSA-EEV CC NEMA PREMIUM | 1.000 EA |
| 36PA1001 | PKG GRP, PRINT PK1017A06 | 1.000 EA |
| MN416A01 | TAG-INSTAL-MAINT no wire (1000/bx) 11/14 | 1.000 EA |

AC Induction Motor Performance Data

Record # 57227 - Typical performance - not guaranteed values

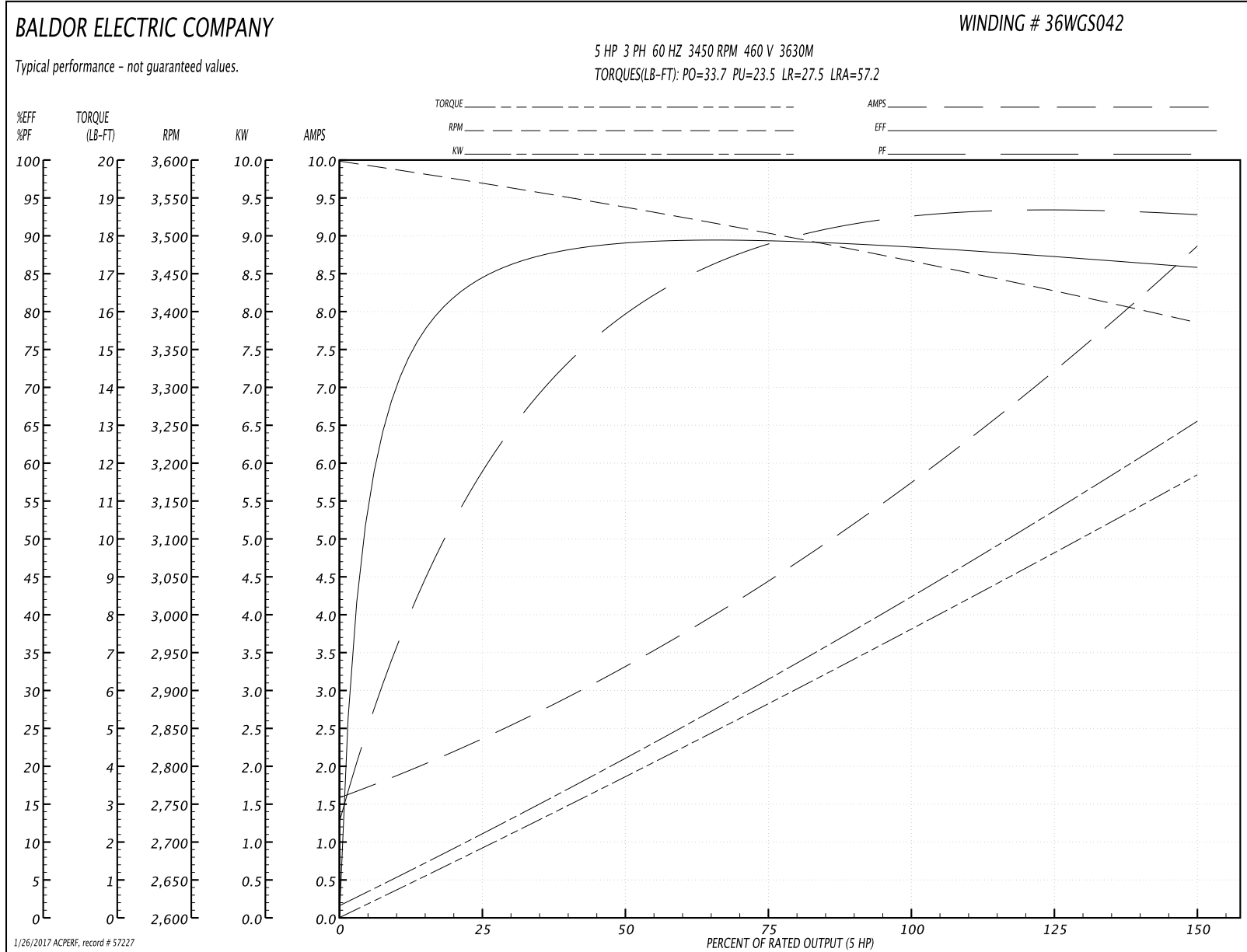
| | | |
|-------------------------------|--------------------|------------------------|
| Winding: 36WGS042-R060 | Type: 3630M | Enclosure: TEFC |
|-------------------------------|--------------------|------------------------|

| Nameplate Data | | | | 460 V, 60 Hz: High Voltage Connection | |
|-----------------------|--------------|--------------|----|--|--------------------------|
| Rated Output (HP) | 5 | | | Full Load Torque | 7.67 LB-FT |
| Volts | 230/460 | | | Start Configuration | direct on line |
| Full Load Amps | 11.8/5.9 | | | Breakdown Torque | 33.7 LB-FT |
| R.P.M. | 3450 | | | Pull-up Torque | 23.5 LB-FT |
| Hz | 60 | Phase | 3 | Locked-rotor Torque | 27.5 LB-FT |
| NEMA Design Code | A | KVA Code | L | Starting Current | 57.2 A |
| Service Factor (S.F.) | 1.15 | | | No-load Current | 1.68 A |
| NEMA Nom. Eff. | 88.5 | Power Factor | 91 | Line-line Res. @ 25°C | 2.26 Ω |
| Rating - Duty | 40C AMB-CONT | | | Temp. Rise @ Rated Load | 72°C |
| S.F. Amps | | | | Temp. Rise @ S.F. Load | 88°C |
| | | | | Locked-rotor Power Factor | 45.1 |
| | | | | Rotor inertia | 0.134 LB-FT ² |

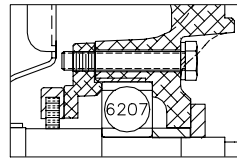
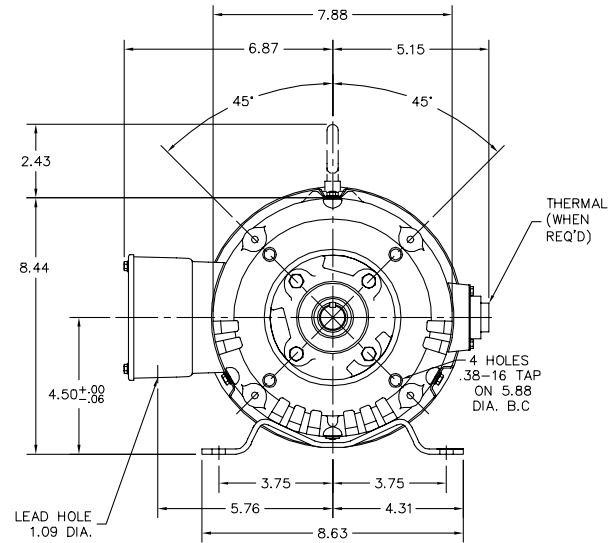
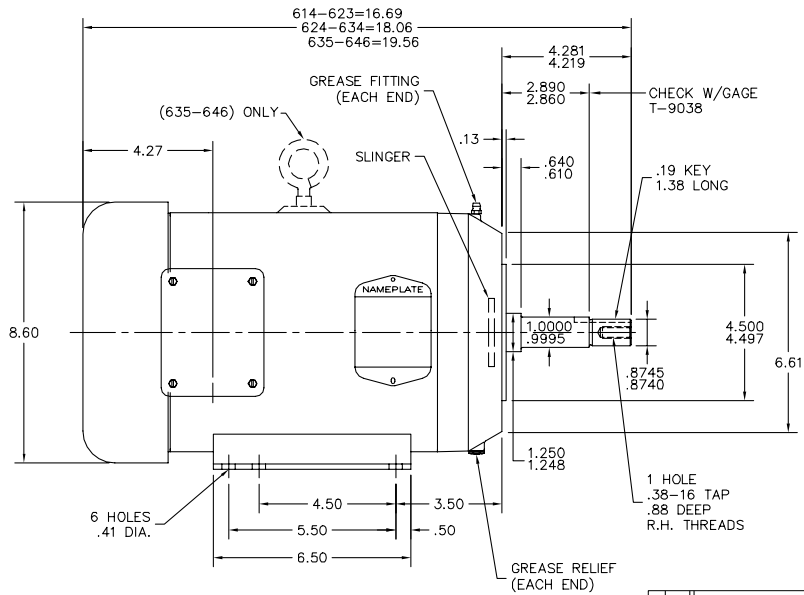
Load Characteristics 460 V, 60 Hz, 5 HP

| % of Rated Load | 25 | 50 | 75 | 100 | 125 | 150 | S.F. |
|-----------------|------|------|------|------|------|------|------|
| Power Factor | 62 | 81 | 88 | 91 | 93 | 94 | 92 |
| Efficiency | 84.1 | 88.9 | 89.4 | 88.7 | 87.3 | 85.8 | 87.9 |
| Speed | 3569 | 3537 | 3504 | 3466 | 3428 | 3385 | 3443 |
| Line amperes | 2.24 | 3.26 | 4.47 | 5.85 | 7.26 | 8.8 | 6.7 |

Performance Graph at 460V, 60Hz, 5.0HP Typical performance - Not guaranteed values



36LYN542



PULLEY END DETAIL
(AEGIS GROUND)

CUSTOMER IS RESPONSIBLE FOR DETERMINING THAT BALDOR'S PRODUCT WILL PERFORM SUITABLY IN THE INTENDED APPLICATION.

| | | |
|----------------------|------------------------------|------------------|
| REV. DESC: NEW | VERSION: 00 | TDR: 00000721646 |
| REV. LTR: - | REVISED: 02:27:47 11/30/2011 | BY: ENWINBO |
| FILE: \AAA\00187\297 | | |
| MTL: - | | |

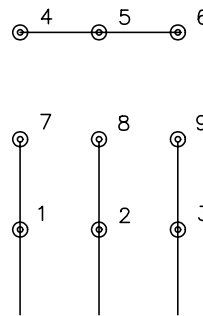
BALDOR
HOR 182-4JM TEFC M W/AEGIS INTERNAL SHAFT GROUND
SH 1 of 1

36LYN542

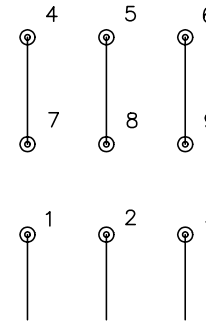
CD0005



LOW VOLTAGE
(2Y)



HIGH VOLTAGE
(1Y)



NOTES:

1. INTERCHANGE ANY TWO LINE LEADS TO REVERSE ROTATION.
2. OPTIONAL THERMOSTATS ARE PROVIDED WHEN SPECIFIED.
3. ACTUAL NUMBER OF INTERNAL PARALLEL CIRCUITS MAY BE A MULTIPLE OF THOSE SHOWN ABOVE.
4. LEAD COLORS ARE OPTIONAL. LEADS MUST ALWAYS BE NUMBERED AS SHOWN.

| | | | |
|---|---------|-------------------------|--------------|
| REV. DESC: REVISE TO SHOW OPTIONAL COLORS | | | |
| REV. LTR: E | BY: JLP | REVISED: 01/19/99 10:15 | TDR: 0171435 |
| 9000D | | FILE: AAA00005140 | MDL: - |
| | | MTL: - | |

BALDOR ELECTRIC Co.

3PH, DV, 9 LEADS

CD0005