

# **BALDOR**® • *RELIANCE*

## Product Information Packet

# EM2334T-58

20HP,1465RPM,3PH,50HZ,256T,0956M,TEFC,F1

Part Detail							
Revision:	H	Status:	PRD/A	Change #:		Proprietary:	No
Type:	AC	Prod. Type:	0956M	Elec. Spec:	09WGZ534	CD Diagram:	CD0382
Enclosure:	TEFC	Mfg Plant:		Mech. Spec:	09F103	Layout:	09LYF103
Frame:	256T	Mounting:	F1	Poles:	04	Created Date:	12-05-2014
Base:	RG	Rotation:	R	Insulation:	F	Eff. Date:	01-26-2017
Leads:	6#12					Replaced By:	
Literature:		Elec. Diagram:					

Nameplate NP3444L											
CAT NO	EM2334T-58										
SPEC.	09F103Z534G1										
HP	20							PH	3		
VOLTS	400										
AMP	28										
RPM	1465										
FRAME	256T				HZ	50			I.P.	54	
SER.F.	1.15		CODE	H		DES	A		CL	F	
NOM.EFF.	92.1										
PF	84			USABLE AT 208V							
RATING	40C AMB-CONT							CC			
DE BRG	6309				ODE	6208					
ENCL	TEFC			SN							
VPWM INVERTER READY											
CT6-60H(10:1)VT3-60H(20:1)											
BLANK	IE3-92.3(75%)91.5(50%)										

Parts List		
Part Number	Description	Quantity
SA290869	SA 09F103Z534G1	1.000 EA
RA277020	RA 09F103Z534G1	1.000 EA
09FN3001C01	EXTERNAL FAN, PLASTIC	1.000 EA
09CB3000SP	CONDUIT BOX CAST	1.000 EA
09GS1000	GASKET-CONDUIT BOX, 1/16 THICK LEXIDE	1.000 EA
10XN2520K12	1/4-20 X.75 GRD 5	2.000 EA
HW1001A25	LOCKWASHER 1/4, ZINC PLT .493 OD, .255 I	2.000 EA
WD1000B17	T&B CX35TN TERMINAL	1.000 EA
51XW1032A06	10-32 X .38, TAPTITE II, HEX WSHR SLTD S	1.000 EA
09FE1100A14	FREP ASSEMBLY, 09EP1100A14	1.000 EA
HW5100A08	W3118-035 WVY WSHR (WB)	1.000 EA
10XN2520K28	1/4-20 X 1.75" HX HD SCRWGRADE 5, ZINC P	2.000 EA
HW1001A25	LOCKWASHER 1/4, ZINC PLT .493 OD, .255 I	2.000 EA
09EP1101A11SP	PU ENDPLATE, MACH	1.000 EA
HW1001A38	LOCKWASHER 3/8, ZINC PLT .688 OD, .382 I	4.000 EA
HW4600B44	V-RING SLINGER 1.500 X 1.810 X .28 VITON	1.000 EA
10XN2520K36	1/4-20 X 2.25" HX HD SCRWGRADE 5, ZINC P	4.000 EA
HW1001A25	LOCKWASHER 1/4, ZINC PLT .493 OD, .255 I	4.000 EA
HA3113A05	THRUBOLT 3/8 - 16 X 17.250	4.000 EA
XY3816A12	3/8-16 FINISHED NUT	4.000 EA
HW1001A38	LOCKWASHER 3/8, ZINC PLT .688 OD, .382 I	4.000 EA
09FH1000	FAN COVER,CAST W/E-COAT	1.000 EA
HA2081A05	SPACER TUBE, 309 FAN HSG, 2.00 LONG	4.000 EA
XY3816A12	3/8-16 FINISHED NUT	4.000 EA

<b>Parts List (continued)</b>		
<b>Part Number</b>	<b>Description</b>	<b>Quantity</b>
HW1001A38	LOCKWASHER 3/8, ZINC PLT .688 OD, .382 I	4.000 EA
09CB3500SP	CONDUIT BOX LID, CAST	1.000 EA
09GS1001	GASKET-CONDUIT BOX LID, 1/16 THICK LEXID	1.000 EA
51XW2520A12	.25-20 X .75, TAPTITE II, HEX WSHR SLTD	2.000 EA
HW2501G25	KEY, 3/8 SQ X 2.875	1.000 EA
LB1115N	LABEL,LIFTING DEVICE (ON ROLLS)	1.000 EA
HW4500A05	1669B ALEM/UNIV860 GR FTG X	1.000 EA
HW4500A17	317400 ALEMITE GREASE RELIEF	1.000 EA
HA4051A00	PLASTIC CAP FOR GREASE FITTING	1.000 EA
HA4054	SHORT T-DRAIN FITTING, .125" N.P.T.	1.000 EA
MJ1000A02	GREASE, POLYREX EM EXXON (USe 4824-15A)	0.080 LB
HW4500A03	GREASE FITTING, .125 NPT 1610(ALEMITE) 8	1.000 EA
HW4500A17	317400 ALEMITE GREASE RELIEF	1.000 EA
HA4051A00	PLASTIC CAP FOR GREASE FITTING	1.000 EA
HA4054	SHORT T-DRAIN FITTING, .125" N.P.T.	1.000 EA
HW2500A25	WOODRUFF KEY USA #1008 #BLOW CARBON STEE	1.000 EA
51XB1214A20	12-14X1.25 HXWSSLD SERTYB	1.000 EA
MG1000Y03	MUNSELL 2.53Y 6.70/ 4.60, GLOSS 20,	0.050 GA
85XU0407S04	4X1/4 U DRIVE PIN STAINLESS	2.000 EA
LB1119N	WARNING LABEL	1.000 EA
LC0382	CONNECTION LABEL	1.000 EA
NP3444L	ALUM SUPER-E VPWM INV READY NEMA IE3 UL	1.000 EA
09PA1000	PACKAGING GROUP COMBINED PRINT	1.000 EA
MN416A01	TAG-INSTAL-MAINT no wire (1000/bx) 11/14	1.000 EA

**AC Induction Motor Performance Data**

Record # 48443 - Typical performance - not guaranteed values

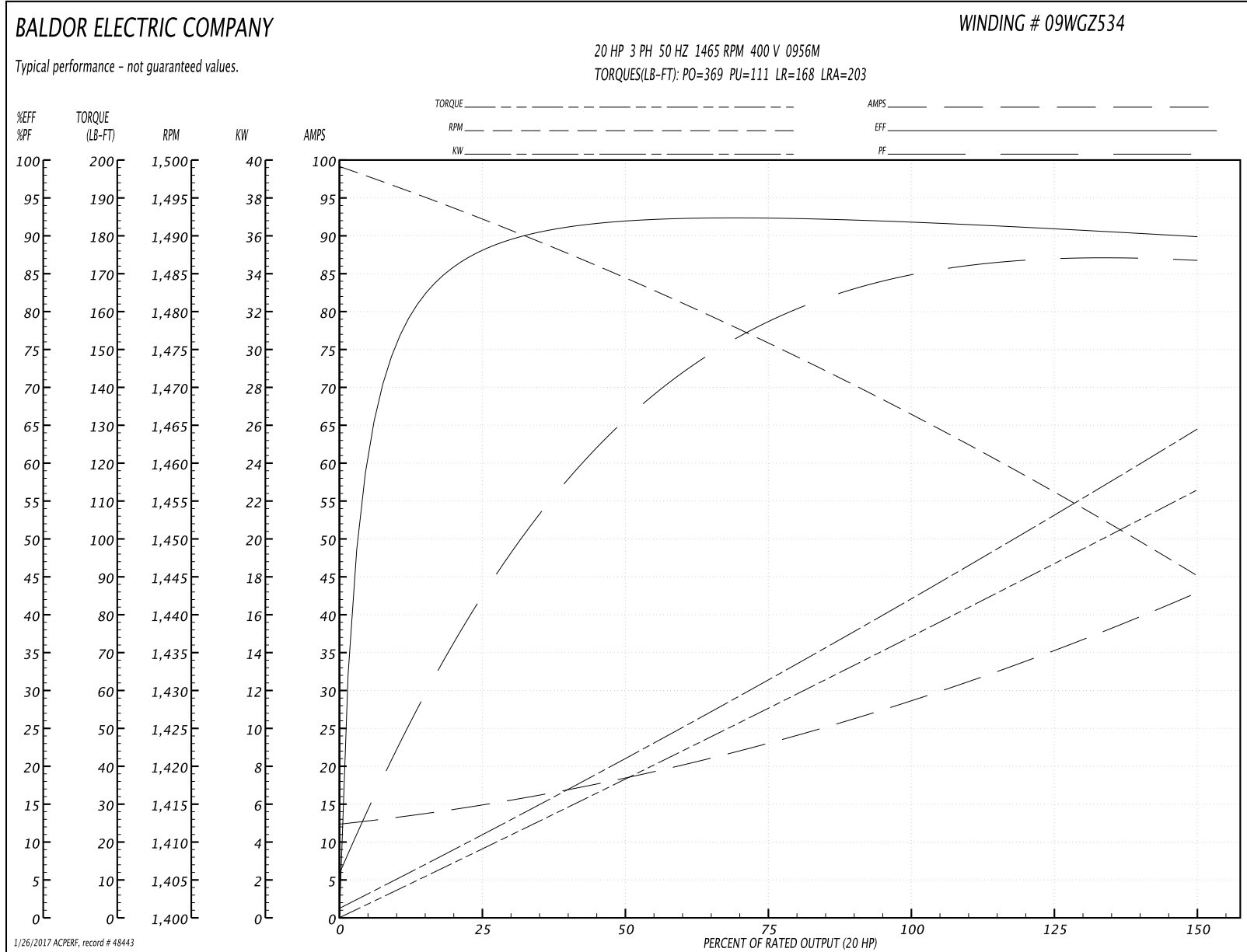
<b>Winding:</b> 09WGZ534-R009	<b>Type:</b> 0956M	<b>Enclosure:</b> TEFC
-------------------------------	--------------------	------------------------

Nameplate Data				400 V, 50 Hz: Single Voltage Motor	
Rated Output (HP)	20			Full Load Torque	71.9 LB-FT
Volts	400			Start Configuration	direct on line
Full Load Amps	28			Breakdown Torque	369 LB-FT
R.P.M.	1465			Pull-up Torque	111 LB-FT
Hz	50	Phase	3	Locked-rotor Torque	168 LB-FT
NEMA Design Code	A	KVA Code	H	Starting Current	203 A
Service Factor (S.F.)	1.15			No-load Current	12.8 A
NEMA Nom. Eff.	92.1	Power Factor	84	Line-line Res. @ 25°C	0.324 Ω
Rating - Duty	40C AMB-CONT			Temp. Rise @ Rated Load	78°C
S.F. Amps				Temp. Rise @ S.F. Load	96°C
				Locked-rotor Power Factor	36.7
				Rotor inertia	2.44 LB-FT <sup>2</sup>

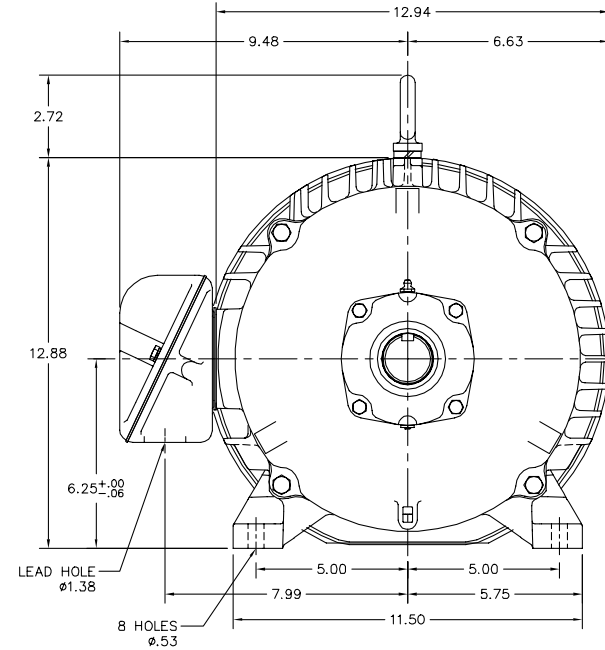
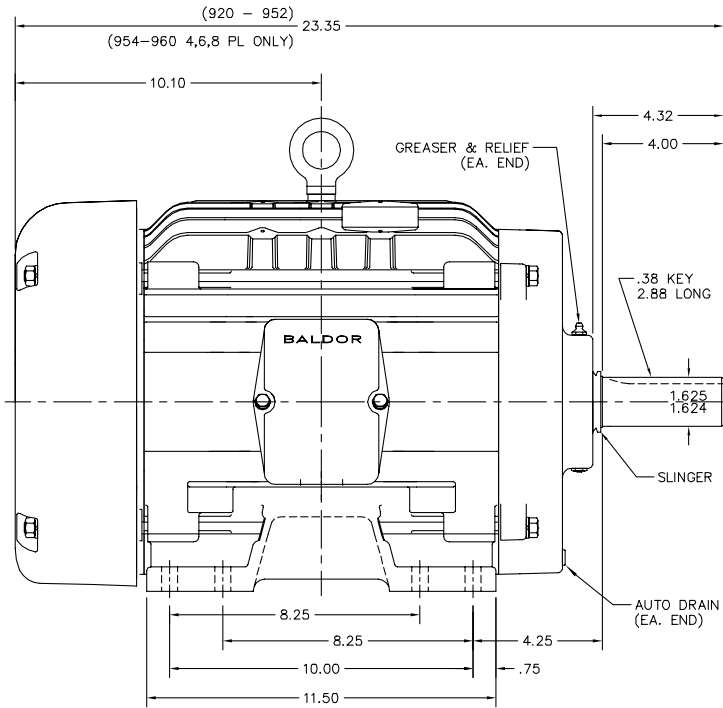
Load Characteristics 400 V, 50 Hz, 20 HP

% of Rated Load	25	50	75	100	125	150	S.F.
Power Factor	43	66	77	84	86	87	85
Efficiency	87.2	91.5	92.3	92.2	91.3	89.8	91.7
Speed	1493	1485	1476	1468	1458	1445	1462
Line amperes	14.2	17.8	22.9	28.1	34.4	42.7	31.9

Performance Graph at 400V, 50Hz, 20.0HP Typical performance - Not guaranteed values



09LYF103



09LYF103

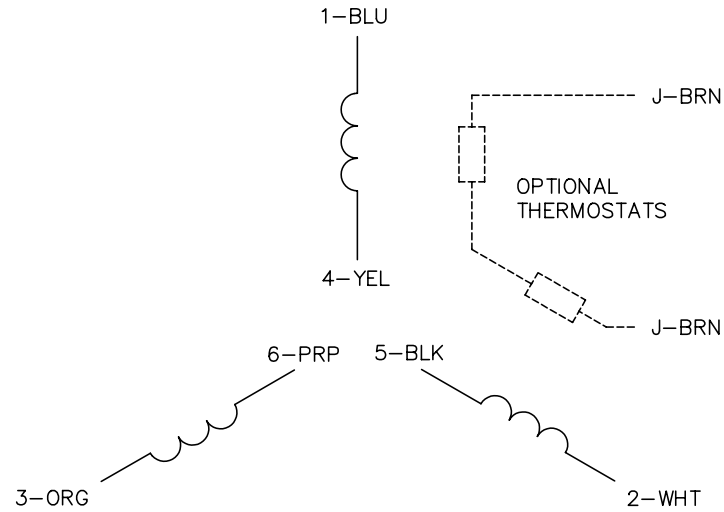
CUSTOMER IS RESPONSIBLE FOR DETERMINING THAT BALDOR'S PRODUCT WILL PERFORM SUITABLY IN THE INTENDED APPLICATION.

REV. DESC: REMOVE LOCKNUT	VERSION: 04	TDR: 000000952626
REV. LTR: D	REVISED: 03:12:44 11/09/2015	BY: ENMARSO
FILE: \AAA\00059\364		
MTL: -		

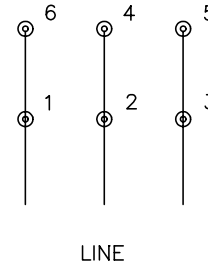
**BALDOR**

HORZ TEFC 254-6T W/C.I. FAN COVER  
SH 1 of 1

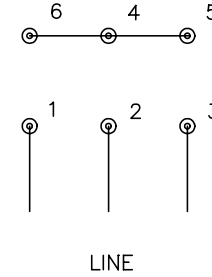
CD0382



RUN CONNECTION (1D)



START CONNECTION (1Y)



NOTES:

1. INTERCHANGE ANY TWO LINE LEADS TO REVERSE ROTATION.
2. OPTIONAL THERMOSTATS ARE PROVIDED WHEN SPECIFIED.
3. ACTUAL NUMBER OF INTERNAL PARALLEL CIRCUITS MAY BE A MULTIPLE OF THOSE SHOWN ABOVE.
4. LEAD COLORS ARE OPTIONAL. LEADS MUST ALWAYS BE NUMBERED AS SHOWN.
5. FOR ACROSS-THE-LINE STARTING, USE 'RUN' CONNECTION.

REV. DESC: ADD NOTE 5 FOR DOL STARTING			
REV. LTR: E	BY: JLP	REVISED: 11/30/00 2:26	TDR: 0226155
CD0382		FILE: AAA00005243	REF: -
		MTL: -	

**BALDOR ELECTRIC Co.**

3PH, SV, 6 LEADS, Y START/D RUN

CD0382

Marketing maintained PDF of MN416:

<http://www.baldor.com/support/Literature/Load.ashx/MN416?ManNumber=MN416>