

BALDOR® • ***RELIANCE***

Product Information Packet

EM251302T-4

300HP,3565RPM,3PH,60HZ,447TS,A44084M,DP

Part Detail							
Revision:	A	Status:	PRD/A	Change #:		Proprietary:	No
Type:	AC	Prod. Type:	A44084M	Elec. Spec:	A44WG4106	CD Diagram:	416820-008
Enclosure:	DP	Mfg Plant:		Mech. Spec:		Layout:	604989-483
Frame:	447TS	Mounting:	F1	Poles:	02	Created Date:	02-12-2015
Base:		Rotation:	R	Insulation:	F	Eff. Date:	03-11-2016
Leads:	6#2/0					Replaced By:	
Literature:		Elec. Diagram:					

Nameplate NP2496L	
MOBIL POLYREX EM	

Nameplate NP2349L									
SPEC NO.	A44-6805-4106	CAT.NO.	EM251302T-4	FRAME	447TSS/TS				
HP	300	VOLTS	460	PHASE	3	DESIGN	B	TYPE	P
RPM	3565	AMPS	334	HZ	60	AMB	40	SF	1.15
DRIVE END BEARING	65BC03J30X	DUTY	CONT	INSUL.CLASS	F				
OPP D.E. BEARING	65BC03J30X	ENCL	DP	CODE	G				
SER.NO.		POWER FACTOR	88	NEMA-NOM-EFFICIENCY	95.4				
				MAX CORR KVAR	49	GUARANTEED EFFICIENCY	94.5		
				NEMA NOM/CSA QUOTED EFF					
				MOTOR WEIGHT	1899				

Parts List		
Part Number	Description	Quantity
SA293718	SA A44-6805-4106	1.000 EA
RA279810	RA A44-6805-4106	1.000 EA
421948044	LABEL, MYLAR	1.000 EA
NP2496L	MOTOR LUBE NAMEPLATE	1.000 EA
000613006PU	N/P (RELEASE QTY 10,000) UL CSA LABLE	1.000 EA
000692000FF	N/P	1.000 EA
000692000VD	LABEL WARNING	1.000 EA
NP2349L	SUPER-E ,SS, CSA, CSA SUPER-E	1.000 EA
702611001A	BAFFL 440 SUB PAINT	1.000 EA
089438082A	BRKT 440 089438081WCB	1.000 EA
004824015A	GREASE POLYREX EM	0.540 LB
032018028EK	HHCS 5/8-11X3-1/2L PLTD	4.000 EA
032018028CK	HHCS 3/8-16X3-1/2 PLTD.	3.000 EA
410700004F	WSHR	1.000 EA
034017012AB	LCKW 1/4 STD. PLATED	4.000 EA
405851012AF	SPACE	4.000 EA
032018012AK	HHCS 1/4-20X1-1/2 PLTD.	4.000 EA
034690002AB	"unbulked" PPLG 1/4" PLTD.	1.000 EA
034000012AB	WSHR 1/4 STD. PLATED	4.000 EA
035000001A	ALFTG 1/8" 1610-BL	1.000 EA
035000001A	ALFTG 1/8" 1610-BL	1.000 EA
405851012AF	SPACE	4.000 EA
047174001Z	EXT SNAP RING	1.000 EA
034690002AB	"unbulked" PPLG 1/4" PLTD.	1.000 EA

Parts List (continued)		
Part Number	Description	Quantity
034017012AB	LCKW 1/4 STD. PLATED	4.000 EA
034000012AB	WSHR 1/4 STD. PLATED	4.000 EA
032018012AK	HHCS 1/4-20X1-1/2 PLTD.	4.000 EA
089438082A	BRKT 440 089438081WCB	1.000 EA
702611001A	BAFFL 440 SUB PAINT	1.000 EA
032018028EK	HHCS 5/8-11X3-1/2L PLTD	4.000 EA
032018028CK	HHCS 3/8-16X3-1/2 PLTD.	3.000 EA
702658001B	+C/BOX, PAINTED 440	1.000 EA
702658002A	+C/BOX CVR, PAINTED 440	1.000 EA
406056008A	GASKET, TERBD 440	1.000 EA
418153001A	GASK 440	1.000 EA
032018008DK	HHCS 1/2-13X1 PLATED	4.000 EA
415000103D	T/LUG #4AWG-1/0AWG W/HOLE FOR .250 BOLT	1.000 EA
033512006LB	HHTTS 1/4-20X3/4 PLTD.	8.000 EA
033512004LB	HHTTS 1/4-20X1/2 PLTD.	1.000 EA
MG1025Y03	WILKOFAS, 789.701, SUPER E PEARL GOLD	2.000 QT
033775004EA	DRSCR #6-1/4 304 S.S.	2.000 EA
034180024HA	KEY 5/8X5/8X3 L	1.000 EA
604797056	400-447 FRAME 60 X 42	1.000 EA
032510026D	CARRIAGE BOLT - 440	2.000 EA
034001016AB	WSHR .562ID 1.375OD .109	2.000 EA
034001014AB	FLAT WASHER 3/8"PLATED	2.000 EA
033300014AC	HEX NUT, SHIPPING - 400	2.000 EA
604797003C	SHIPPING BAG	1.000 EA

048897010DG	PLUG,ODE BRKT - 360	1.000 EA
-------------	---------------------	----------


REL. S.O.	FRAME	HP	TYPE	PHASE/HERTZ	RPM	VOLTS
	447TSC	300	P	3/60	3565	460
AMPS	DUTY	AMB °C/ INSUL.	S.F.	NEMA DESIGN	CODE LETTER	ENCL.
334	CONT	40/F	1.15	B	G	DP-Guar
E/S	ROTOR	TEST S.O.	TEST DATE	STATOR RES. @25 °C (OHMS (BETWEEN LINES))		
833373	418143016EE	---	---	.0127		

PERFORMANCE						
LOAD	HP	AMPERES	RPM	POWER FACTOR %	EFFICIENCY %	
NO LOAD	0	93.0	3600	6.24	0	
1/4	75.0	124	3592	61.8	91.8	
2/4	150	184	3584	80.6	94.8	
3/4	225	256	3575	86.5	95.4	
4/4	300	334	3567	88.0	95.4	
5/4	375	415	3557	88.9	95.1	

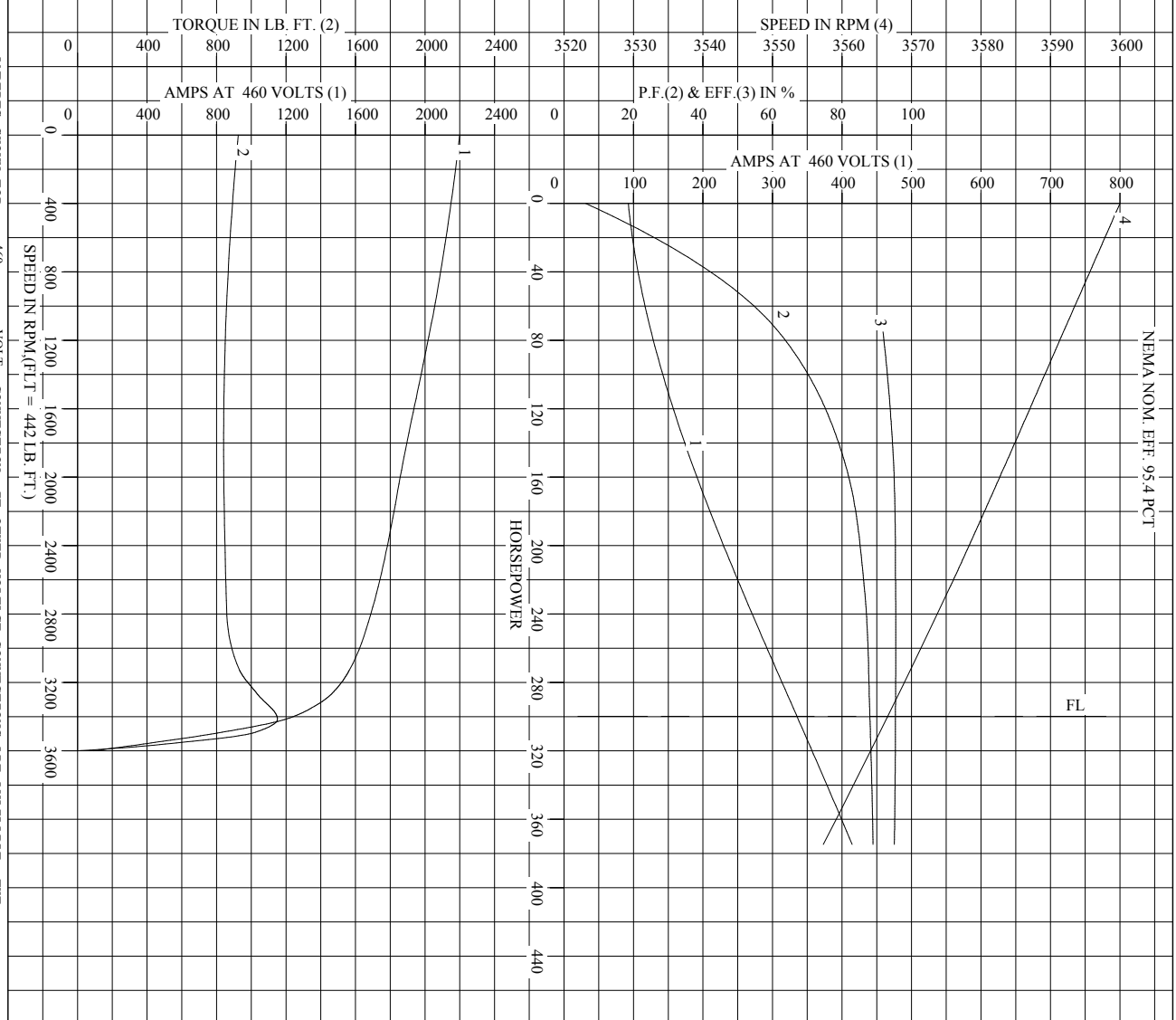
SPEED TORQUE						
	RPM	TORQUE % FULL LOAD	TORQUE LB.-FT.	AMPERES		
LOCKED ROTOR	0	210	925	2200		
PULL UP	1800	190	841	1895		
BREAKDOWN	3414	261	1151	1200		
FULL LOAD	3567	100	442	334		

AMPERES SHOWN FOR 460. VOLT CONNECTION. IF OTHER VOLTAGE CONNECTIONS ARE AVAILABLE, THE AMPERES WILL VARY INVERSELY WITH THE RATED VOLTAGE

REMARKS: TYPICAL DATA
NEMA NOM. EFF. 95.4 PCT

 <p>A MEMBER OF THE ABB GROUP</p>	DR. BY	W. L. SMITH	<p>A-C MOTOR</p> <p>PERFORMANCE DATA</p> <p>A44WG4106-R002</p> <p>ISSUE DATE 11/12/13</p>
	CK. BY	J. J. HARRISON	
	APP. BY	W. L. SMITH	
	DATE	02/06/12	

REL. S. O. _____ RPM 3565 S. F. 1.15 ROTOR 418143016EE
 FRAME 447TSC VOLTS 460 NEMA DESIGN B TEST S. O. TYPICAL DATA
 HP 300 AMPS 334 DUTY CONT G CODE LETTER G
 TYPE P DUTY CONT ENCLOSURE DP-Guar STATOR RES. @ 25 °C .0127
 PHASE/HERTZ 3/60 AMB °C/INSUL 40/F E/S 833373 OHMS (BETWEEN LINES)

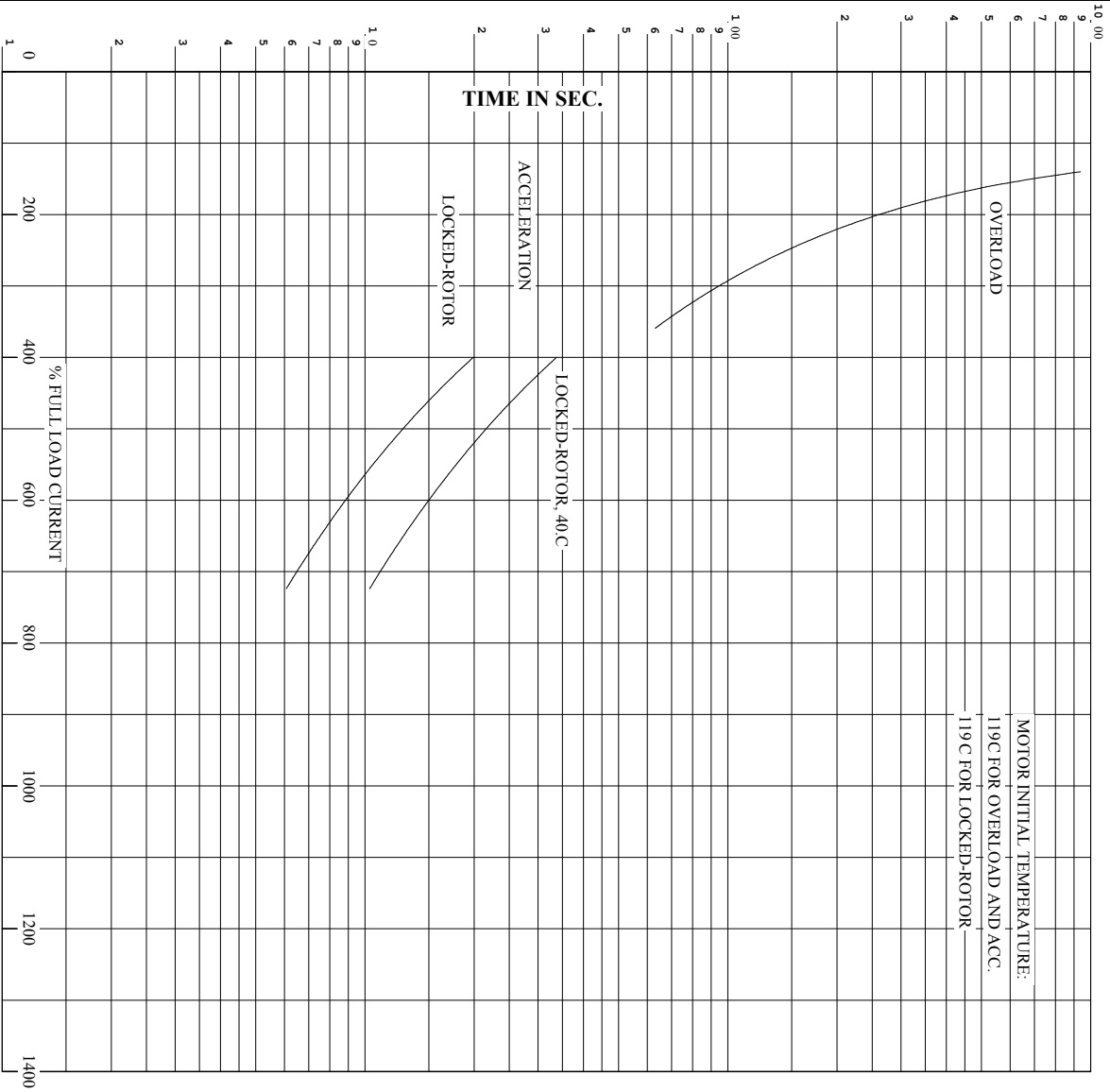


AMPERES SHOWN FOR 460 VOLT CONNECTION, IF OTHER VOLTAGE CONNECTIONS ARE AVAILABLE, THE AMPERES WILL VARY INVERSELY WITH THE RATED VOLTAGE.

BALDOR
 A MEMBER OF THE ABB GROUP
 DR. BY W. L. SMITH
 CK. BY J. HARRISON
 App. BY W. L. SMITH
 DATE 02/06/12
A-C MOTOR PERFORMANCE CURVES
 A44WG4106-R002
 ISSUE DATE 11/12/13

Printed on 11/12/13 14:15 @ psecs-motoreng

RET. S.O. RPM 3565 S.F. 1.15 ROTOR 418143016EE
 FRAME 447TSC VOLTS 460 NEMA DESIGN B TEST S.O. TYPICAL DATA
 HP 300 AMPS 334 CODE LETTER G TEST DATE ---
 TYPE P DUTY CONT ENCLOSURE DP-Guar STATOR RES. @ 25 °C. 0.127
 PHASE/HERTZ 3/60 AMB °C/INSUL 40/F E/S 833373 OHMS (BETWEEN LINES)



REMARKS: THERMAL LIMIT CURVE
 NEMA NOM. EFF. 95.4 PCT

AMPERES SHOWN FOR 460 VOLT CONNECTION, IF OTHER VOLTAGE CONNECTIONS ARE AVAILABLE, THE AMPERES WILL VARY INVERSELY WITH THE RATED VOLTAGE.

BALDOR
 A MEMBER OF THE ABB GROUP

DR. BY W. L. SMITH
 CK. BY J. HARRISON
 App. BY W. L. SMITH
 DATE 02/06/12

A-C MOTOR
PERFORMANCE A44WG4106-R002
CURVES ISSUE DATE 11/12/13

DUTY MASTER ALTERNATING CURRENT MOTORS

604989-483

ENCLOSURE: TOTALLY ENCLOSED

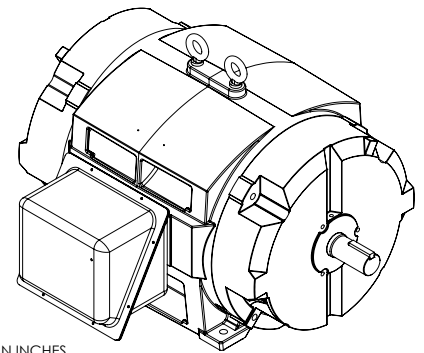
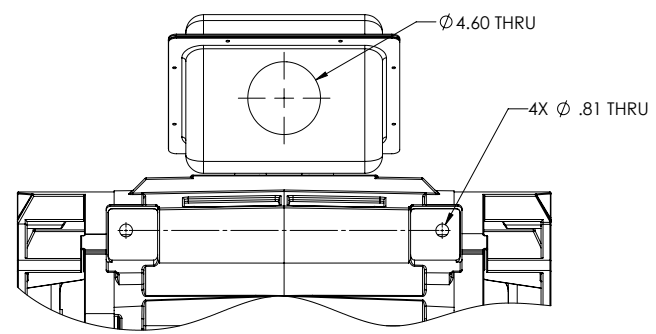
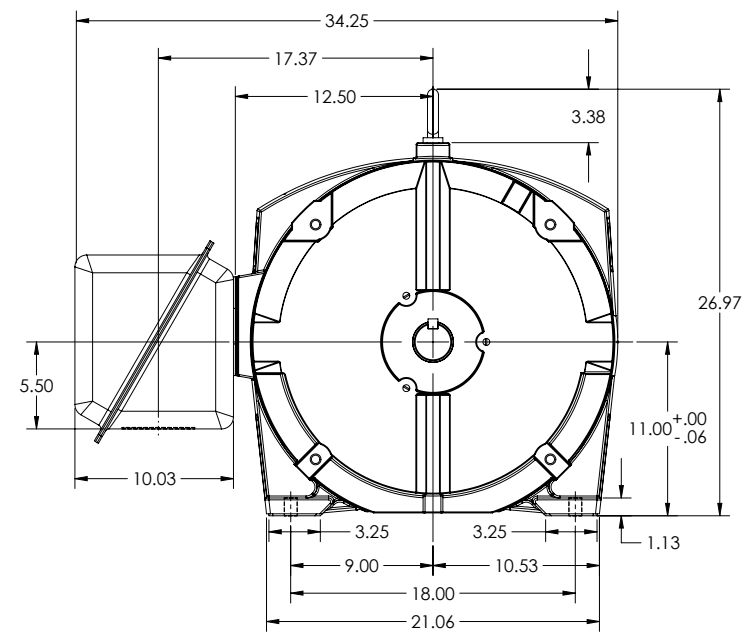
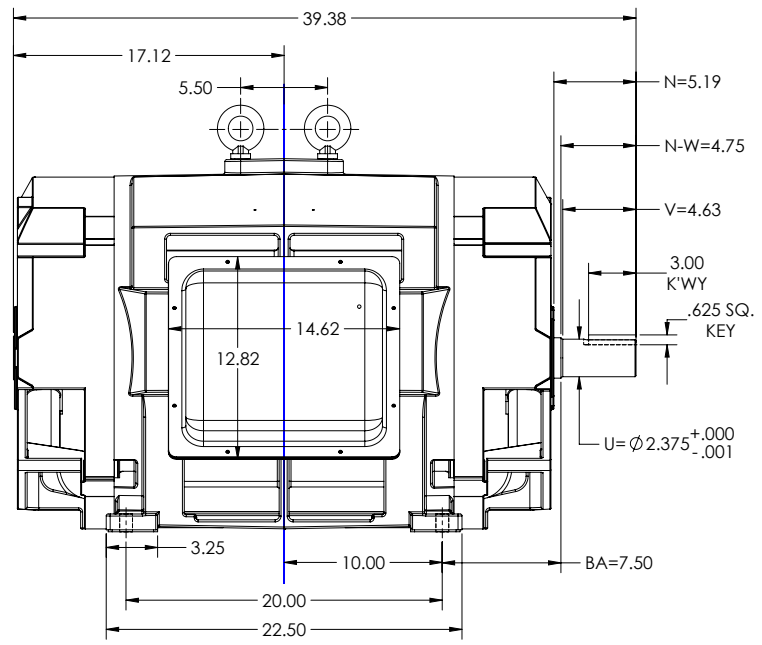
SQUIRREL-CAGE INDUCTION

COOLING: OPEN DRIP-PROOF

MOUNTING: FOOT, F-1

FRAME E447TS

STEEL CONDUIT BOX



SHEET NUMBER
1 OF 1
ESP-686F09

CONDUIT BOX LOCATED ON OPPOSITE SIDE WHEN F-2. IF MOUNTING CLEARANCE DETAILS ARE REQUIRED, CONSULT FACTORY. MAXIMUM PERMISSIBLE SHAFT RUNOUT WHEN MEASURED AT END OF STANDARD SHAFT EXTENSION IS .003" T.I.R.

DIMENSIONS ARE IN INCHES

CUSTOMER IS RESPONSIBLE FOR DETERMINING THAT MOTOR PERFORMANCE IS SUITABLE IN THE APPLICATION.

REV. A	VERSION: 01	REVISED-01-57-27 03/02/2016	TDR: 00000968603
MODEL NO. 604989-483			
BY: RAGRA			

BALDOR

E447TS ODP FOOT - F1 - STEEL CONDUIT BOX

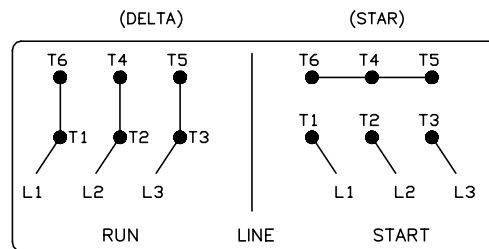
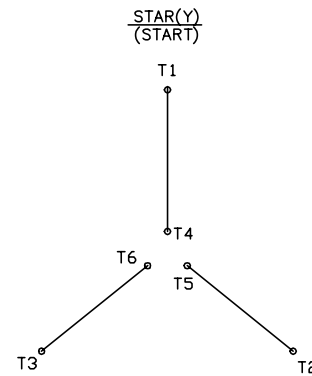
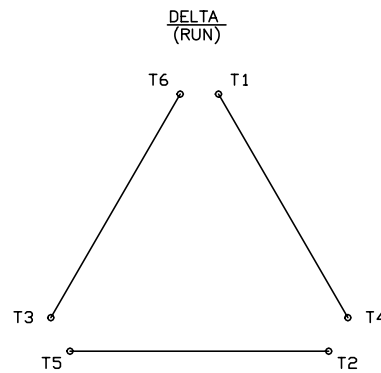
604989-483

416820-008

A-C MOTOR CONNECTION DIAGRAM

STANDARD 6 LEAD

Y START - DELTA RUN



< N. P. 1767-DC >

416820-008

REV. DESC: ADDED T4 TO Y CONNECT DIAGRAM		
REV. LTR: D	VERSION: 04	TDR: 000000847713
FILE: \RAG\00001\808	REVISED: 10: 41: 26 04/08/2014	BY: RAGJSS1
MTL: -	Ⓢ □	

BALDOR

CONNECT DIAGRAM STD 6 LEAD Y START DELTA RUN

SH 1 of 1

Marketing maintained PDF of MN408:

<http://www.baldor.com/support/Literature/Load.ashx/MN408?ManNumber=MN408>

Marketing maintained PDF of MN416:

<http://www.baldor.com/support/Literature/Load.ashx/MN416?ManNumber=MN416>