

BALDOR® • RELIANCE

Product Information Packet

EM2515T-58

20HP, 1470RPM, 3PH, 50HZ, 256T, 3956M, OPSB, F3

Part Detail							
Revision:	A	Status:	PRD/A	Change #:		Proprietary:	No
Type:	AC	Prod. Type:	3956M	Elec. Spec:	39WGX494	CD Diagram:	CD0382
Enclosure:	OPSB	Mfg Plant:		Mech. Spec:	39E318	Layout:	39LYE318
Frame:	256T	Mounting:	F3	Poles:	04	Created Date:	04-03-2015
Base:	RG	Rotation:	R	Insulation:	F	Eff. Date:	06-10-2016
Leads:	6#10					Replaced By:	
Literature:		Elec. Diagram:					

Nameplate NP2716L											
CAT NO	EM2515T-58										
SPEC.	39E318X494G1										
HP	20							PH	3		
VOLTS	400										
AMP	28										
RPM	1470										
FRAME	256T				HZ	50			I.P.	23	
SER.F.	1.15			CODE	H		DES	B		CL	F
NOM.EFF.	92.1							%		(100%)	
PF	85							USABLE AT 208V			
RATING	40C AMB-CONT							CC			
DE BRG	6309				ODE	6208					
ENCL	OPSB			SN							
BLANK	IE3-92.6(75%)91.8(50%)										

Parts List		
Part Number	Description	Quantity
SA296423	SA 39E318X494G1	1.000 EA
RA282463	RA 39E318X494G1	1.000 EA
HA6361A01	LIFTING LUG FOR 37, 39 & 40 FRAME ZINC	2.000 EA
HA6016	ADAPTER, CAST CONDUIT BOX	1.000 EA
09CB3002	CB W/1.38 LEAD HOLE FOR 37, 39, 307 & 30	1.000 EA
51XW2520A12	.25-20 X .75, TAPTITE II, HEX WSHR SLTD	2.000 EA
HW1001A25	LOCKWASHER 1/4, ZINC PLT .493 OD, .255 I	2.000 EA
WD1000B17	T&B CX35TN TERMINAL	1.000 EA
11XW1032G06	10-32 X .38, TAPTITE II, HEX WSHR SLTD U	1.000 EA
HA1101A01	RODENT SCREEN, 39 MTR	1.000 EA
51XW1032A06	10-32 X .38, TAPTITE II, HEX WSHR SLTD S	4.000 EA
39EP3200A01SP	FR/PU ENDPLATE, MACH	1.000 EA
HW5100A08	W3118-035 WVY WSHR (WB)	1.000 EA
39EP3201A13	PU ENDPLATE, MACH	1.000 EA
HA1101A01	RODENT SCREEN, 39 MTR	1.000 EA
51XW1032A06	10-32 X .38, TAPTITE II, HEX WSHR SLTD S	4.000 EA
XY3816A12	3/8-16 FINISHED NUT	8.000 EA
09CB3501	CONDUIT BOX LID FOR 09CB3001 & 09CB3002	1.000 EA
51XW2520A12	.25-20 X .75, TAPTITE II, HEX WSHR SLTD	2.000 EA
HW2501G25	KEY, 3/8 SQ X 2.875	1.000 EA
LB1115N	LABEL,LIFTING DEVICE (ON ROLLS)	1.000 EA
HW4500A03	GREASE FITTING, .125 NPT 1610(ALEMITE) 8	1.000 EA
HW4500A20	1/8NPT SL PIPE PLUG	1.000 EA
HA4051A00	PLASTIC CAP FOR GREASE FITTING	1.000 EA

Parts List (continued)		
Part Number	Description	Quantity
MJ1000A02	GREASE, POLYREX EM EXXON (USe 4824-15A)	0.030 LB
HW4500A03	GREASE FITTING, .125 NPT 1610(ALEMITE) 8	1.000 EA
HW4500A20	1/8NPT SL PIPE PLUG	1.000 EA
HA4051A00	PLASTIC CAP FOR GREASE FITTING	1.000 EA
MG1000Y03	MUNSELL 2.53Y 6.70/ 4.60, GLOSS 20,	0.050 GA
85XU0407S04	4X1/4 U DRIVE PIN STAINLESS	2.000 EA
39AD2002A01	BAFFLE PLATE 39 OPEN, SLOTTED BAND MTRS	1.000 EA
39AD2002A01	BAFFLE PLATE 39 OPEN, SLOTTED BAND MTRS	1.000 EA
HA3154A03	STUD, 3/8-16 X 17.75	4.000 EA
LB1119N	WARNING LABEL	1.000 EA
LC0382	CONNECTION LABEL	1.000 EA
NP2716L	ALUM SUPER-E NEMA IE3 UL CSA CC CE	1.000 EA
40PA1000	PACKAGING GROUP	1.000 EA
MN416A01	TAG-INSTAL-MAINT no wire (1000/bx) 11/14	1.000 EA

AC Induction Motor Performance Data

Record # 49907 - Typical performance - not guaranteed values

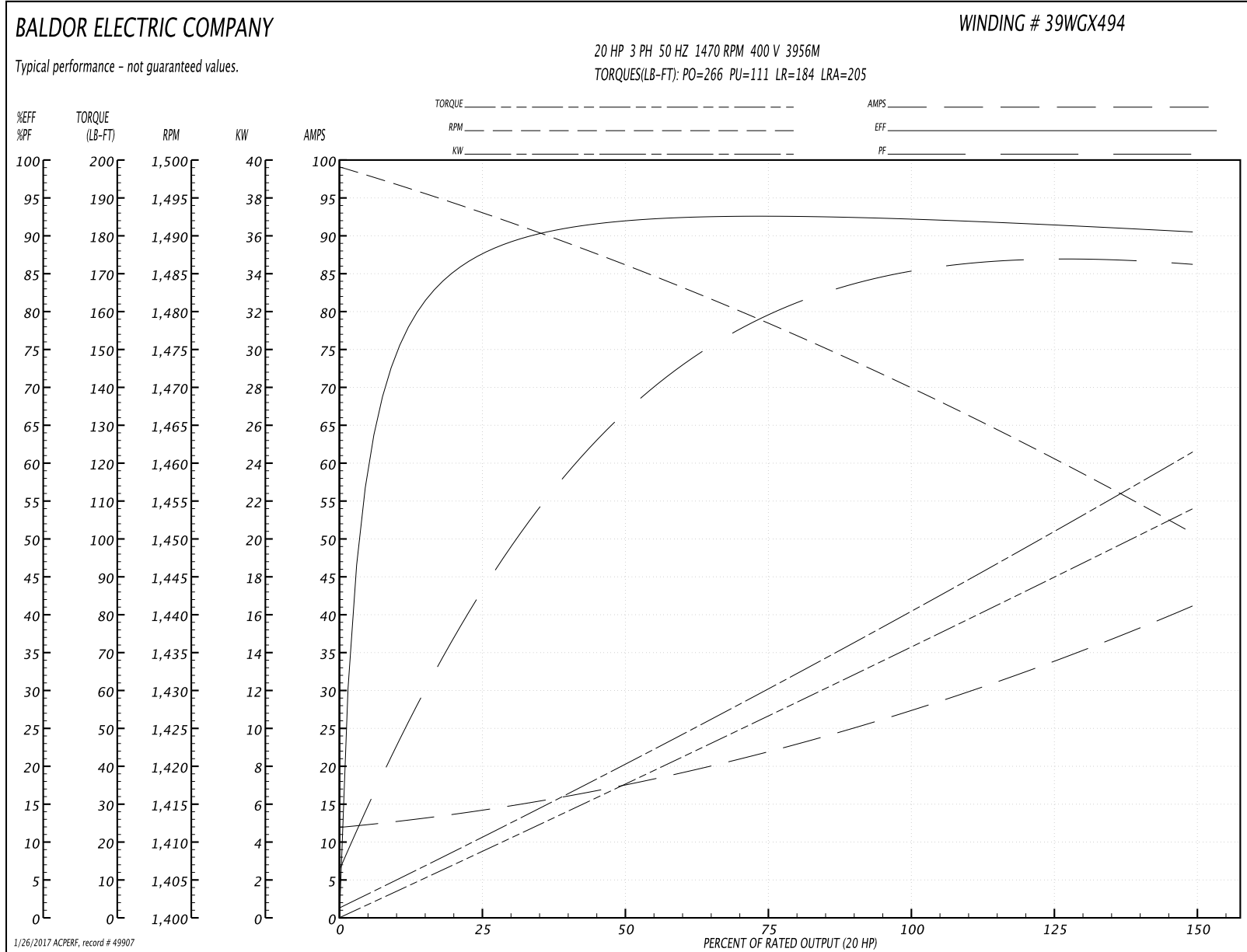
Winding: 39WGX494-R003	Type: 3956M	Enclosure: OPEN
-------------------------------	--------------------	------------------------

Nameplate Data				400 V, 50 Hz: Single Voltage Motor	
Rated Output (HP)	20			Full Load Torque	72 LB-FT
Volts	400			Start Configuration	direct on line
Full Load Amps	28			Breakdown Torque	266 LB-FT
R.P.M.	1470			Pull-up Torque	111 LB-FT
Hz	50	Phase	3	Locked-rotor Torque	184 LB-FT
NEMA Design Code	B	KVA Code	H	Starting Current	205 A
Service Factor (S.F.)	1.15			No-load Current	12.3 A
NEMA Nom. Eff.	92.1	Power Factor	85	Line-line Res. @ 25°C	0.355 Ω
Rating - Duty	40C AMB-CONT			Temp. Rise @ Rated Load	43°C
S.F. Amps				Temp. Rise @ S.F. Load	53°C

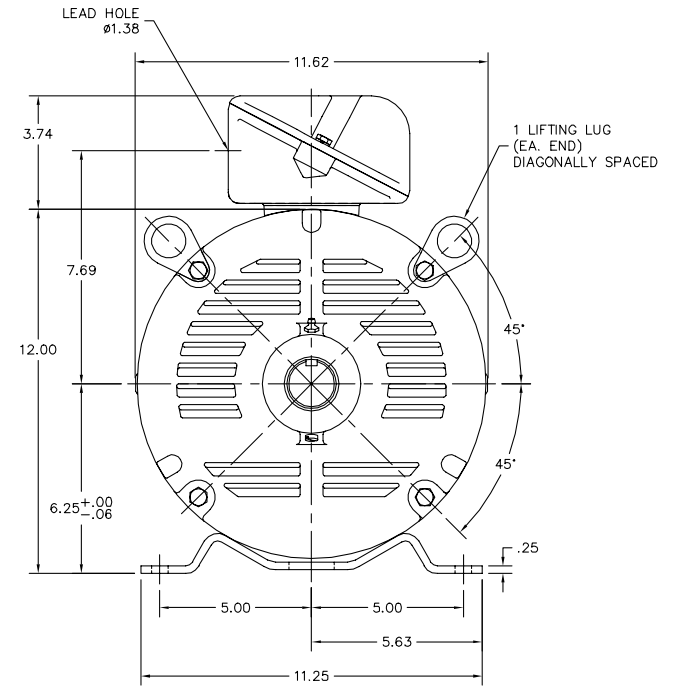
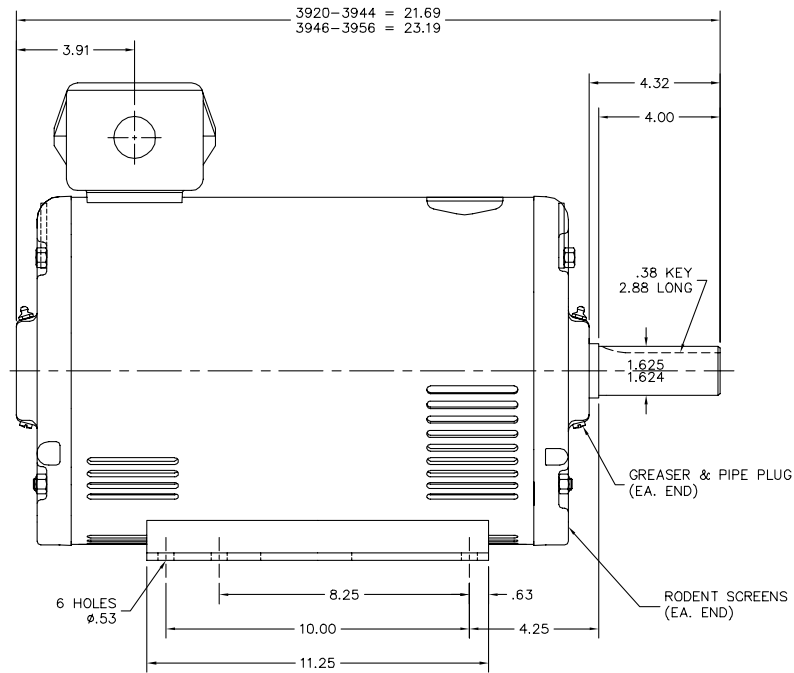
Load Characteristics 400 V, 50 Hz, 20 HP

% of Rated Load	25	50	75	100	125	150	S.F.
Power Factor	45	69	79	85	86	87	86
Efficiency	87.9	91.8	92.6	92.4	91.5	90.5	91.9
Speed	1493	1486	1478	1470	1460	1451	1464
Line amperes	13.8	17.4	22.3	27.8	34.1	40.9	31.6

Performance Graph at 400V, 50Hz, 20.0HP Typical performance - Not guaranteed values



39LYE318



39LYE318

CUSTOMER IS RESPONSIBLE FOR DETERMINING THAT BALDOR'S PRODUCT WILL PERFORM SUITABLY IN THE INTENDED APPLICATION.

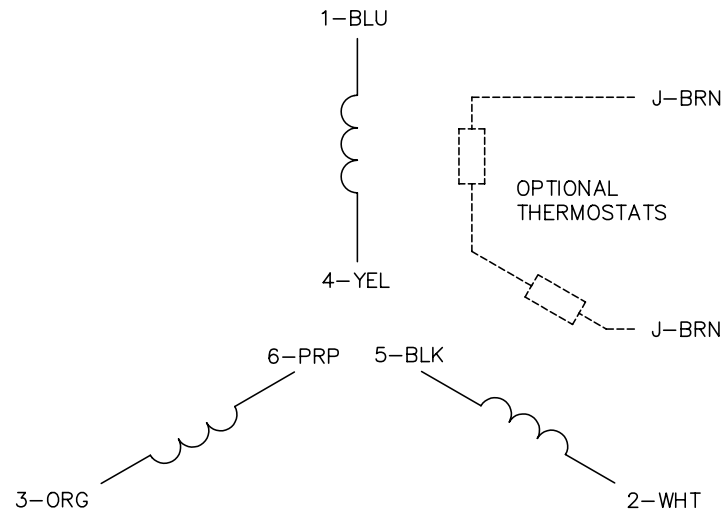
REV. DESC: REMOVED FLOATING LIFTING EYE	VERSION: 02	TDR: 000009B6447
REV. LTR: B	REvised: 02: 41: 34 06/28/2016	BY: ENSHABO
FILE: \AAA\00166\368		
MTL: -		

BALDOR

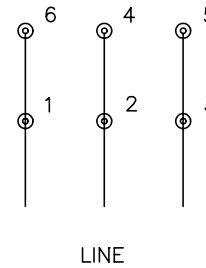
HORZ OPEN 254-6T KBOX AT 12:00 W/ROD SCRNS

SH 1 of 1

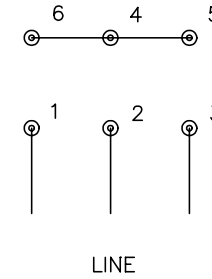
CD0382



RUN CONNECTION
(1D)



START CONNECTION
(1Y)



NOTES:

1. INTERCHANGE ANY TWO LINE LEADS TO REVERSE ROTATION.
2. OPTIONAL THERMOSTATS ARE PROVIDED WHEN SPECIFIED.
3. ACTUAL NUMBER OF INTERNAL PARALLEL CIRCUITS MAY BE A MULTIPLE OF THOSE SHOWN ABOVE.
4. LEAD COLORS ARE OPTIONAL. LEADS MUST ALWAYS BE NUMBERED AS SHOWN.
5. FOR ACROSS-THE-LINE STARTING, USE 'RUN' CONNECTION.

REV. DESC: ADD NOTE 5 FOR DOL STARTING			
REV. LTR: E	BY: JLP	REVISED: 11/30/00 2:26	TDR: 0226155
CD0382		FILE: AAA00005243	REF: -
		MTL: -	

BALDOR ELECTRIC Co.

3PH, SV, 6 LEADS, Y START/D RUN

CD0382