

BALDOR® • ***RELIANCE***

Product Information Packet

EM2535T-8

30HP, 1775RPM, 3PH, 60HZ, 286T, 4060M, OPSB, F1

Part Detail							
Revision:	B	Status:	PRD/A	Change #:		Proprietary:	No
Type:	AC	Prod. Type:	4060M	Elec. Spec:	40WGX352	CD Diagram:	CD0006
Enclosure:	OPSB	Mfg Plant:		Mech. Spec:	40G48	Layout:	40LYG048
Frame:	286T	Mounting:	F1	Poles:	04	Created Date:	05-26-2016
Base:	RG	Rotation:	R	Insulation:	F	Eff. Date:	01-13-2017
Leads:	3#6					Replaced By:	
Literature:		Elec. Diagram:					

Nameplate NP2138L											
CAT.NO.	EM2535T-8		P/N				ENCLOSURE	OPSB			
SPEC.	40G048X352		CC	010A		FRAME	286T		S/N		
HP	30		CLASS	F		HZ	60				
RPM	1775		PH	3		DES	A				
VOLT	200						KVA-CODE	H		ODE BRG	6309
AMP	83						USABLE AT 208V	83		DE BRG	6311
RATING	40C AMB-CONT			GREASE POLYREX EM							
NEMA-NOM-EFF	94.1	PF	82	SER.F.	1.15						
HTR-VOLTS			HTR-AMPS			MAX. SPACE HEATER TEMP.					

Parts List		
Part Number	Description	Quantity
SA321227	SA 40G048X352	1.000 EA
RA308979	RA 40G048X352	1.000 EA
S/P107-000-004	SUPER-E(284 FR. & UP)-CL PLANT,POLYREX E	1.000 EA
HA6361A01	LIFTING LUG FOR 37, 39 & 40 FRAME ZINC	2.000 EA
HA6017	CAST ADAPTER, 40,42 KOBX	1.000 EA
19XW3118A12	.31-18 X .75 HEX WASHER HEAD TAPTITE II	2.000 EA
HW1001A31	LOCKWASHER 5/16, ZINC PLT.591 OD, .319 I	2.000 EA
10CB3000SP	STD KO BOX MODEL 310,312,314 MTRS W/2.00	1.000 EA
19XW3118A12	.31-18 X .75 HEX WASHER HEAD TAPTITE II	4.000 EA
WD1000B16	T&B CX70TN TERMINAL	1.000 EA
51XF2520A08	SCREW, HEX SER SLT HD, ZN 1/4-20 X .50 L	1.000 EA
40EP3200A02	STD FREP OPEN 309 BRG	1.000 EA
HW5100A11	W3917-042 WVY WSHR (WB)	1.000 EA
40EP3200B05	STD PUEP OPEN 311 BRG	1.000 EA
XY3816A12	3/8-16 FINISHED NUT	8.000 EA
10CB3500SP	CONDUIT BOX LID, CAST	1.000 EA
51XW2520A12	.25-20 X .75, TAPTITE II, HEX WSHR SLTD	4.000 EA
HW2501H28	KEY, 1/2 SQ X 3.250	1.000 EA
LB1115N	LABEL,LIFTING DEVICE (ON ROLLS)	1.000 EA
HW4500A03	GREASE FITTING, .125 NPT 1610(ALEMITE) 8	1.000 EA
HW4500A20	1/8NPT SL PIPE PLUG	1.000 EA
HA4051A00	PLASTIC CAP FOR GREASE FITTING	1.000 EA
MJ1000A02	GREASE, POLYREX EM EXXON (USe 4824-15A)	0.050 LB
HW4500A03	GREASE FITTING, .125 NPT 1610(ALEMITE) 8	1.000 EA

Parts List (continued)		
Part Number	Description	Quantity
HW4500A20	1/8NPT SL PIPE PLUG	1.000 EA
HA4051A00	PLASTIC CAP FOR GREASE FITTING	1.000 EA
MG1000Y03	MUNSELL 2.53Y 6.70/ 4.60, GLOSS 20,	0.070 GA
85XU0407S04	4X1/4 U DRIVE PIN STAINLESS	4.000 EA
40AD2002A01	LEXAN BAFFLE 40 FR OPEN	1.000 EA
40AD2002A01	LEXAN BAFFLE 40 FR OPEN	1.000 EA
HA3154A06	THRUBOLT STUD 3/8-16 X 19.500	4.000 EA
LB1119N	WARNING LABEL	1.000 EA
LC0006	CONNECTION LABEL	1.000 EA
NP2138L	ALUM SUPER-E UL CSA-EEV PREM CC (300	1.000 EA
40PA1000	PACKAGING GROUP	1.000 EA
MN416A01	TAG-INSTAL-MAINT no wire (1000/bx) 11/14	1.000 EA

Accessories		
Part Number	Description	Multiplier
40-1400	C FACE KIT	A8

AC Induction Motor Performance Data

Record # 57335 - Typical performance - not guaranteed values

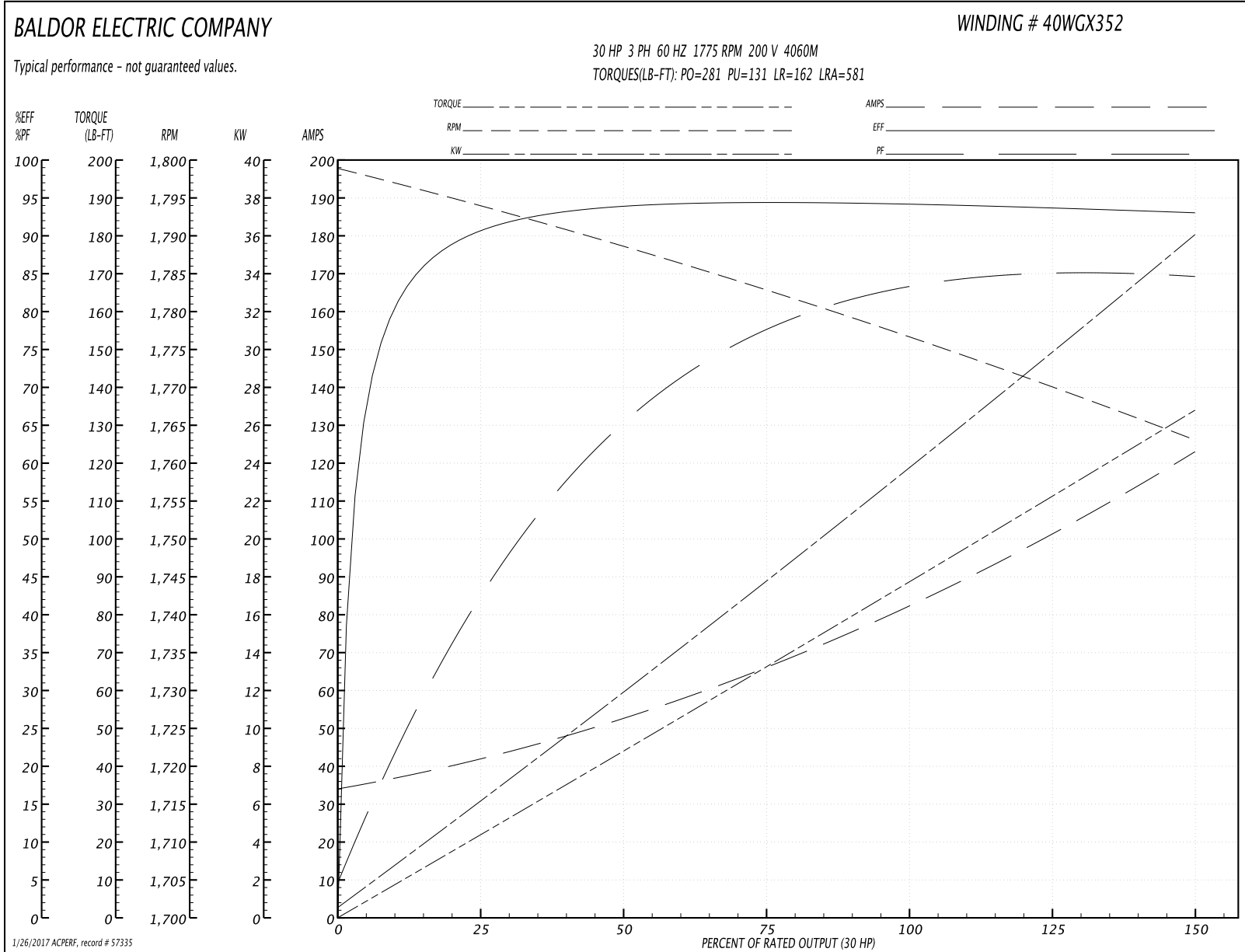
Winding: 40WGX352-R001	Type: 4060M	Enclosure: OPSB
-------------------------------	--------------------	------------------------

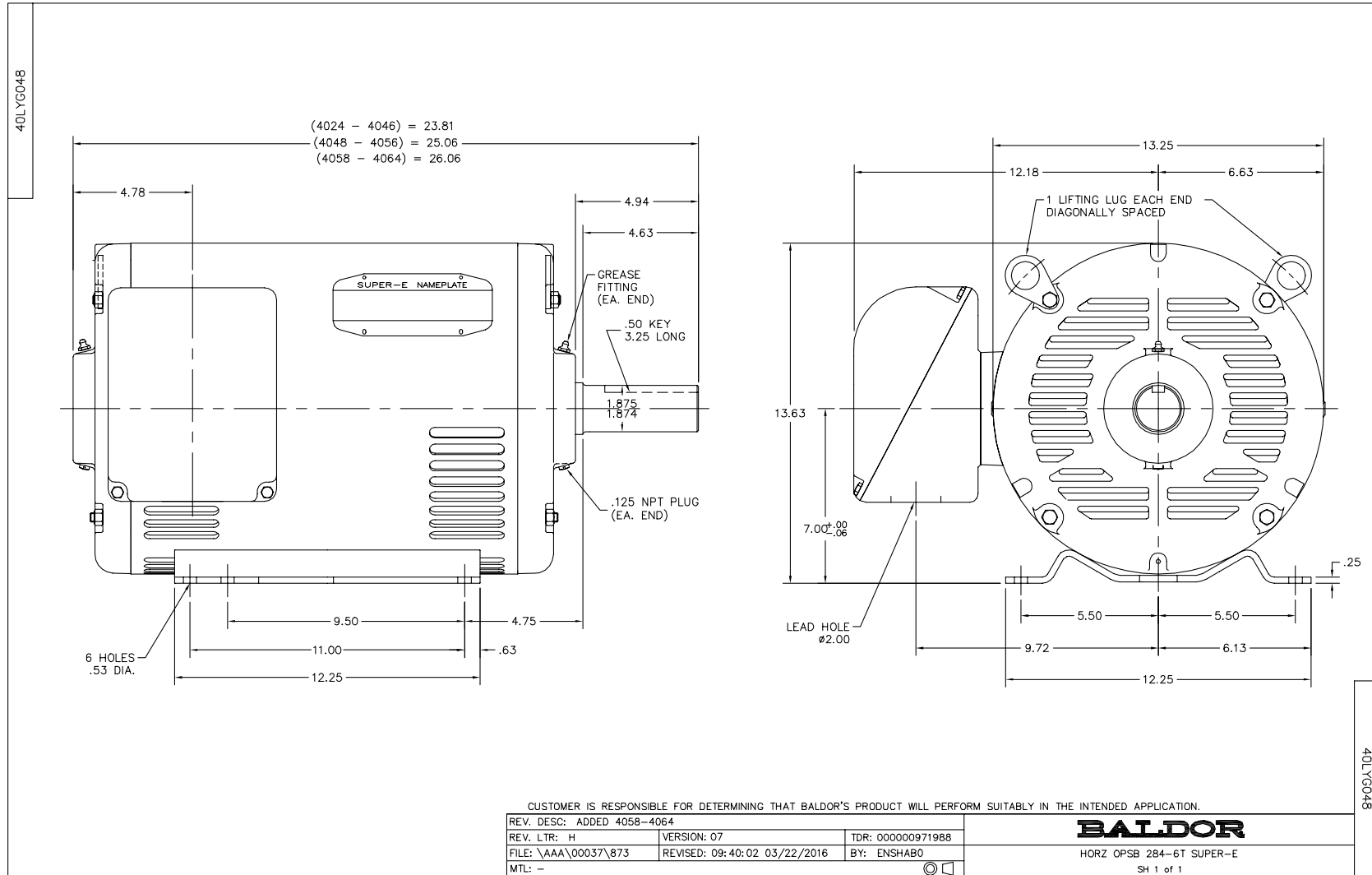
Nameplate Data				200 V, 60 Hz: Single Voltage Motor	
Rated Output (HP)	30			Full Load Torque	88.7 LB-FT
Volts	200			Start Configuration	direct on line
Full Load Amps	83			Breakdown Torque	281 LB-FT
R.P.M.	1775			Pull-up Torque	131 LB-FT
Hz	60	Phase	3	Locked-rotor Torque	162 LB-FT
NEMA Design Code	A	KVA Code	H	Starting Current	581 A
Service Factor (S.F.)	1.15			No-load Current	35.3 A
NEMA Nom. Eff.	94.1	Power Factor	82	Line-line Res. @ 25°C	0.0382 Ω
Rating - Duty	40C AMB-CONT			Temp. Rise @ Rated Load	29°C
S.F. Amps				Temp. Rise @ S.F. Load	35°C
				Locked-rotor Power Factor	31.3
				Rotor inertia	4.77 LB-FT ²

Load Characteristics 200 V, 60 Hz, 30 HP

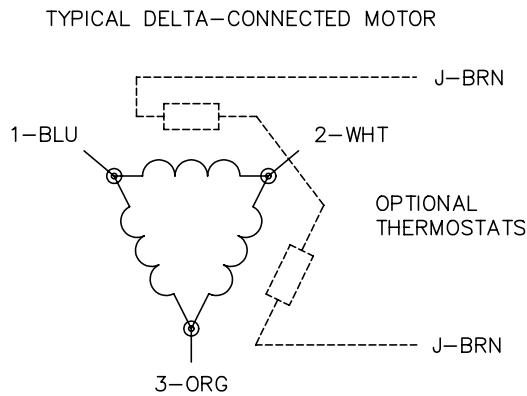
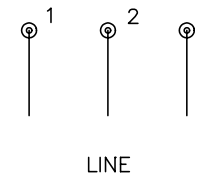
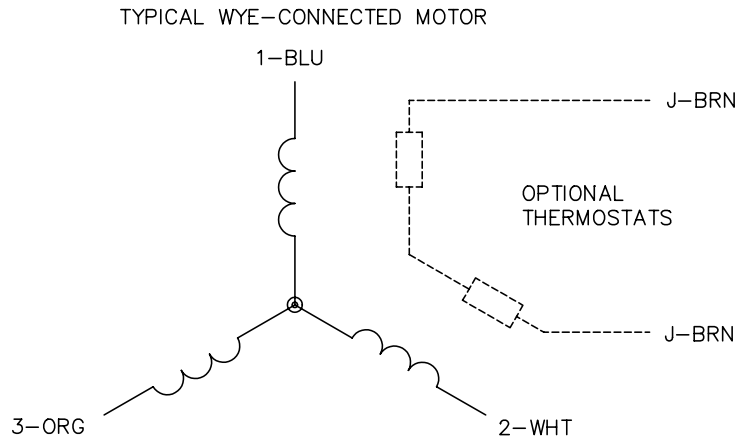
% of Rated Load	25	50	75	100	125	150	S.F.
Power Factor	44	67	77	82	84	85	83
Efficiency	90.5	93.9	94.5	94.3	93.5	93.1	93.8
Speed	1794	1788	1783	1777	1770	1763	1773
Line amperes	40.6	51.6	66.7	83.4	102	122	94.6

Performance Graph at 200V, 60Hz, 30.0HP Typical performance - Not guaranteed values





CD0006



NOTES:

1. THREE LEAD MOTOR MAY BE EITHER WYE CONNECTED OR DELTA CONNECTED.
2. INTERCHANGE ANY TWO LINE LEADS TO REVERSE ROTATION.
3. OPTIONAL THERMOSTATS ARE PROVIDED WHEN SPECIFIED.
4. ACTUAL NUMBER OF INTERNAL PARALLEL CIRCUITS MAY VARY.
5. LEAD COLORS ARE OPTIONAL. LEADS MUST BE NUMBERED AS SHOWN.

REV. DESC: REVISE TO SHOW OPTIONAL COLORS			
REV. LTR: D	BY: JLP	REVISED: 01/21/99 4:02	TDR: 0171435
9000D		FILE: AAA00005141	MDL: -
		MTL: -	

BALDOR ELECTRIC Co.

3PH, SV, 3 LEADS, WYE OR DELTA CONNECTED

CD0006

Marketing maintained PDF of MN416:

<http://www.baldor.com/support/Literature/Load.ashx/MN416?ManNumber=MN416>