

# **BALDOR**® • **RELIANCE**

## **Product Information Packet**

# **EM2542T-8**

**50HP,3525RPM,3PH,60HZ,324TS,4058M,OPSB,F**

Part Detail							
Revision:	D	Status:	PRD/A	Change #:		Proprietary:	No
Type:	AC	Prod. Type:	4058M	Elec. Spec:	40WGX311	CD Diagram:	CD0695
Enclosure:	OPSB	Mfg Plant:		Mech. Spec:	40E213	Layout:	40LYE213
Frame:	324TS	Mounting:	F1	Poles:	02	Created Date:	08-12-2015
Base:	RG	Rotation:	R	Insulation:	F	Eff. Date:	01-04-2017
Leads:	6#6					Replaced By:	
Literature:		Elec. Diagram:					

<b>Nameplate NP3554L</b>											
CAT.NO.	EM2542T-8			P/N				ENCLOSURE	OPSB		
SPEC.	40E213X311		CC	010A	FRAME	324TS		S/N			
HP	50			CLASS	F	HZ	60				
RPM	3525			PH	3	DES	A				
VOLT	200			KVA-CODE	G		ODE BRG	6309	DE BRG	6312	
AMP	129			USABLE AT 208V							
RATING	40C AMB-CONT			NEMA-NOM-EFF				93	GREASE		POLYREX EM
PF	90	SER.F.	1.15	VPWM INVERTER READY							
HTR-VOLTS			HTR-AMPS			MAX. SPACE HEATER TEMP.					

Parts List		
Part Number	Description	Quantity
SA305478	SA 40E213X311	1.000 EA
RA292699	RA 40E213X311	1.000 EA
S/P107-000-004	SUPER-E(284 FR. & UP)-CL PLANT,POLYREX E	1.000 EA
HA6361A01	LIFTING LUG FOR 37, 39 & 40 FRAME ZINC	2.000 EA
HA6017	CAST ADAPTER, 40,42 KOBX	1.000 EA
19XW3118A12	.31-18 X .75 HEX WASHER HEAD TAPTITE II	2.000 EA
HW1001A31	LOCKWASHER 5/16, ZINC PLT.591 OD, .319 I	2.000 EA
10CB3001	CONDUIT BOX CAST W/2.500 LEAD HOLE	1.000 EA
19XW3118A12	.31-18 X .75 HEX WASHER HEAD TAPTITE II	4.000 EA
HW1001A31	LOCKWASHER 5/16, ZINC PLT.591 OD, .319 I	4.000 EA
WD1000B16	T&B CX70TN TERMINAL	1.000 EA
51XF2520A08	SCREW, HEX SER SLT HD, ZN 1/4-20 X .50 L	1.000 EA
40EP3200A02	STD FREP OPEN 309 BRG	1.000 EA
HW5100A11	W3917-042 WVY WSHR (WB)	1.000 EA
40EP3201A01	PU ENDPLATE, MACH - OPEN - FOR 312 BRG	1.000 EA
XY3816A12	3/8-16 FINISHED NUT	8.000 EA
10CB3500SP	CONDUIT BOX LID, CAST	1.000 EA
51XW2520A12	.25-20 X .75, TAPTITE II, HEX WSHR SLTD	4.000 EA
HW2501H18	KEY, 1/2 SQ X 2.000	1.000 EA
LB1115N	LABEL,LIFTING DEVICE (ON ROLLS)	1.000 EA
HW4500A03	GREASE FITTING, .125 NPT 1610(ALEMITE) 8	1.000 EA
HW4500A20	1/8NPT SL PIPE PLUG	1.000 EA
HA4051A00	PLASTIC CAP FOR GREASE FITTING	1.000 EA
MJ1000A02	GREASE, POLYREX EM EXXON (USe 4824-15A)	0.050 LB

<b>Parts List (continued)</b>		
<b>Part Number</b>	<b>Description</b>	<b>Quantity</b>
HW4500A03	GREASE FITTING, .125 NPT 1610(ALEMITE) 8	1.000 EA
HW4500A20	1/8NPT SL PIPE PLUG	1.000 EA
HA4051A00	PLASTIC CAP FOR GREASE FITTING	1.000 EA
HA3159A08	THRUBOLT- .38-16 X 20.00 LONG STUD	4.000 EA
MG1000Y03	MUNSELL 2.53Y 6.70/ 4.60, GLOSS 20,	0.070 GA
85XU0407S04	4X1/4 U DRIVE PIN STAINLESS	4.000 EA
40AD2002B01	LEXAN BAFFLE 40 FR OPEN	1.000 EA
40AD2002B01	LEXAN BAFFLE 40 FR OPEN	1.000 EA
LB1119N	WARNING LABEL	1.000 EA
LC0695	CONNECTION LABEL	1.000 EA
NP3554L	SS SUPER-E UL CSA-EEV PREM CC	1.000 EA
40PA1000	PACKAGING GROUP	1.000 EA
MN416A01	TAG-INSTAL-MAINT no wire (1000/bx) 11/14	1.000 EA

**AC Induction Motor Performance Data**

Record # 52219 - Typical performance - not guaranteed values

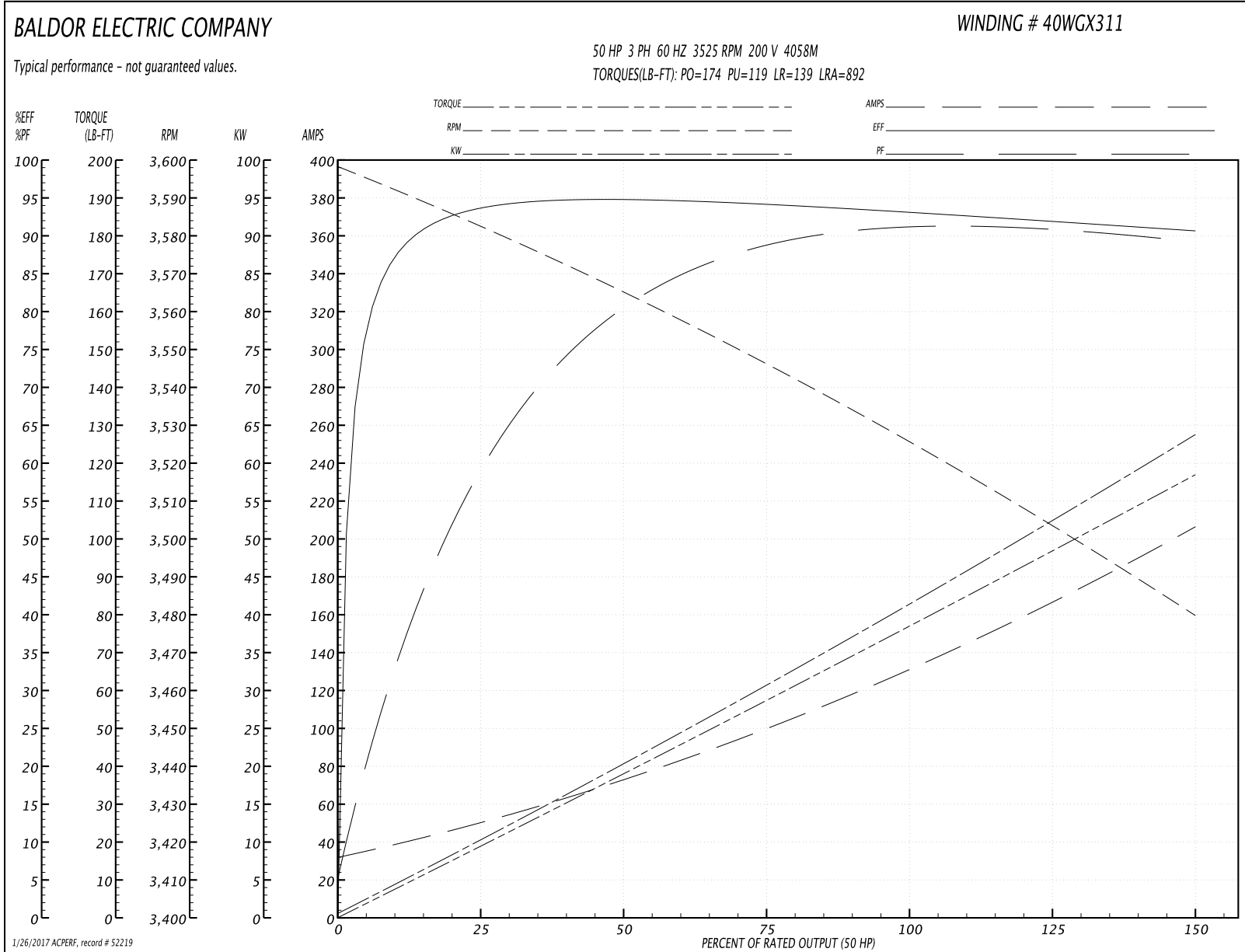
<b>Winding:</b> 40WGX311-R001	<b>Type:</b> 4058M	<b>Enclosure:</b> OPSB
-------------------------------	--------------------	------------------------

Nameplate Data				200 V, 60 Hz: Single Voltage Motor	
Rated Output (HP)	50			Full Load Torque	74.7 LB-FT
Volts	200			Start Configuration	direct on line
Full Load Amps	129			Breakdown Torque	174 LB-FT
R.P.M.	3525			Pull-up Torque	119 LB-FT
Hz	60	Phase	3	Locked-rotor Torque	139 LB-FT
NEMA Design Code	A	KVA Code	G	Starting Current	892 A
Service Factor (S.F.)	1.15			No-load Current	34.3 A
NEMA Nom. Eff.	93	Power Factor	90	Line-line Res. @ 25°C	0.0243 Ω
Rating - Duty	40C AMB-CONT			Temp. Rise @ Rated Load	46°C
S.F. Amps				Temp. Rise @ S.F. Load	57°C
				Locked-rotor Power Factor	23
				Rotor inertia	2.49 LB-FT <sup>2</sup>

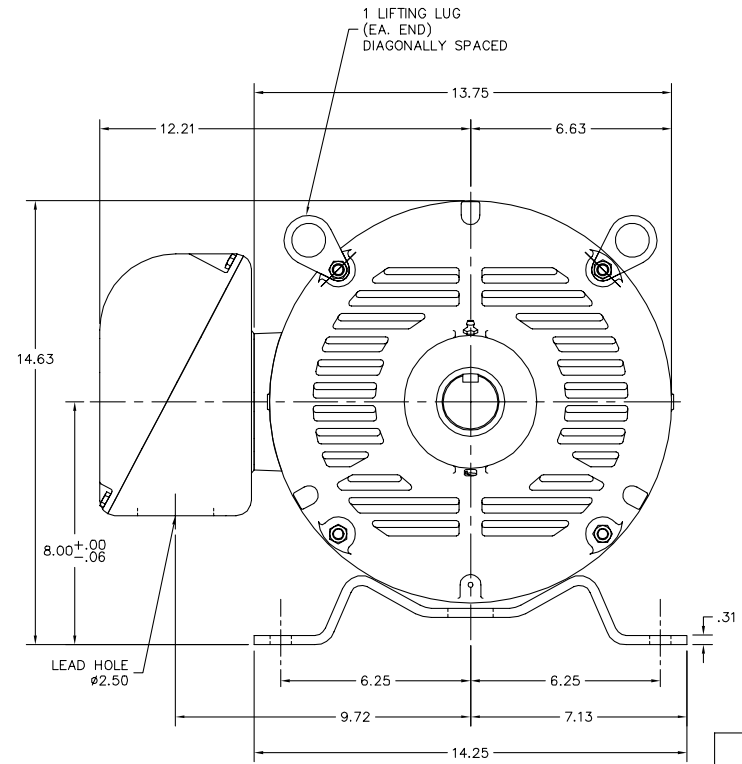
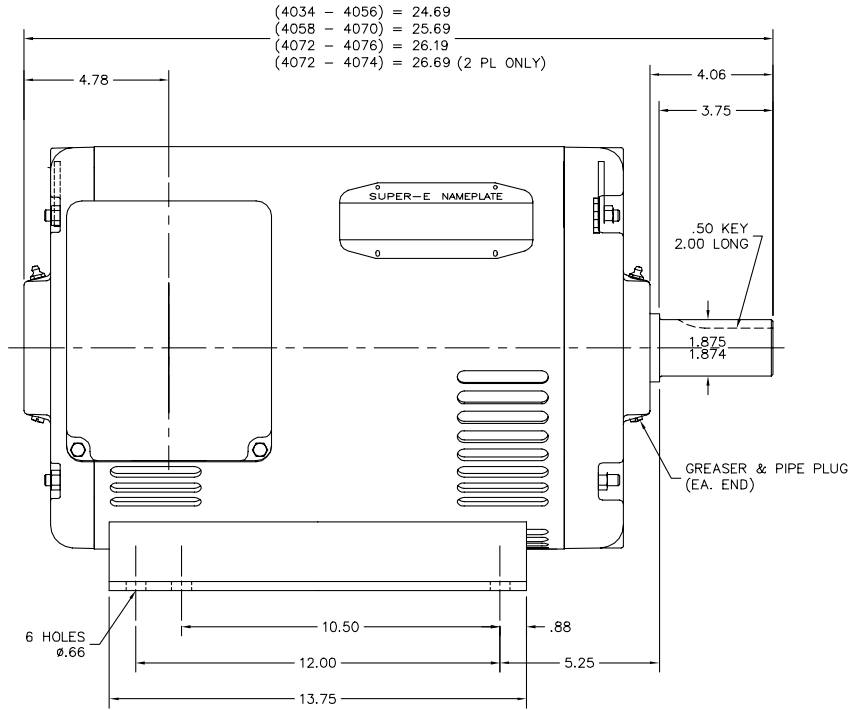
Load Characteristics 200 V, 60 Hz, 50 HP

% of Rated Load	25	50	75	100	125	150	S.F.
Power Factor	63	82	88	90	90	90	90
Efficiency	92.5	94.5	94.2	93.4	92.2	90.5	92.7
Speed	3582	3566	3547	3529	3508	3479	3516
Line amperes	46.8	70	98.2	129	162	205	149

Performance Graph at 200V, 60Hz, 50.0HP Typical performance - Not guaranteed values



40LYE213



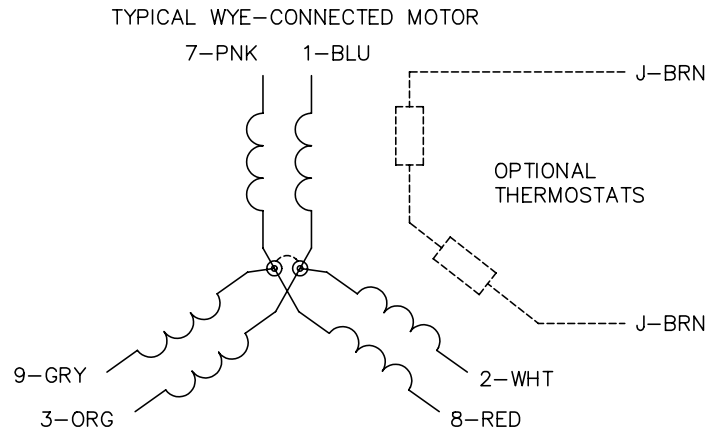
40LYE213

CUSTOMER IS RESPONSIBLE FOR DETERMINING THAT BALDOR'S PRODUCT WILL PERFORM SUITABLY IN THE INTENDED APPLICATION.

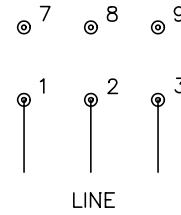
REV. DESC: UPDATED DESCRIPTION		
REV. LTR: C	VERSION: 03	TDR: 000000855149
FILE: \AAA\00163\890	REVISED: 12:35:28 05/23/2014	BY: ENNINDO
MTL: -		

**BALDOR**  
 HORZ OPSB 324-6TS, SUPER-E  
 SH 1 of 1

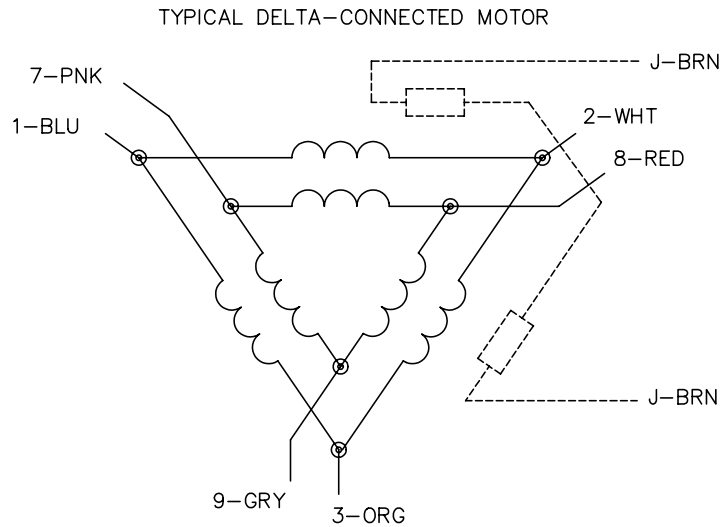
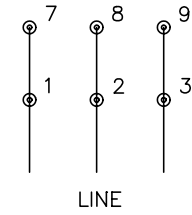
CD0695



START CONNECTION



RUN CONNECTION



NOTES:

1. MOTOR MAY BE WYE CONNECTED OR DELTA CONNECTED.
2. INTERCHANGE ANY TWO LINE LEADS TO REVERSE ROTATION.
3. OPTIONAL THERMOSTATS ARE PROVIDED WHEN SPECIFIED.
4. ACTUAL NUMBER OF INTERNAL PARALLEL CIRCUITS MAY VARY.
5. LEAD COLORS ARE OPTIONAL. LEADS MUST ALWAYS BE NUMBERED AS SHOWN.

REV. DESC: REVISE TO SHOW OPTIONAL COLORS			
REV. LTR: C	BY: JLP	REVISED: 01/21/99 3:19	TDR: 0171435
9690D0		FILE: AAA00005151	MDL: -
		MTL: -	

**BALDOR ELECTRIC Co.**

3PH, SV, 6 LEADS, PART WINDING START

CD0695