

# **BALDOR**® • *RELIANCE*

## **Product Information Packet**

# **EM3218TA**

**5HP,1750RPM,3PH,60HZ,184T,3640M,OPSB,F1**

| Part Detail |       |                |       |             |          |               |            |
|-------------|-------|----------------|-------|-------------|----------|---------------|------------|
| Revision:   | H     | Status:        | PRD/A | Change #:   |          | Proprietary:  | No         |
| Type:       | AC    | Prod. Type:    | 3640M | Elec. Spec: | 36WGS536 | CD Diagram:   | CD0007     |
| Enclosure:  | OPSB  | Mfg Plant:     |       | Mech. Spec: | 36H827   | Layout:       | 36LYH827   |
| Frame:      | 184T  | Mounting:      | F1    | Poles:      | 04       | Created Date: | 11-12-2010 |
| Base:       | RG    | Rotation:      | R     | Insulation: | F        | Eff. Date:    | 11-06-2015 |
| Leads:      | 12#16 |                |       |             |          | Replaced By:  |            |
| Literature: |       | Elec. Diagram: |       |             |          |               |            |

| Nameplate NP2601L |              |  |      |    |                |      |  |    |    |   |
|-------------------|--------------|--|------|----|----------------|------|--|----|----|---|
| CAT.NO.           | EM3218TA     |  |      |    |                |      |  |    |    |   |
| SPEC.             | 36H827S536G1 |  |      |    |                |      |  |    |    |   |
| HP                | 5            |  |      |    |                |      |  |    |    |   |
| VOLTS             | 230/460      |  |      |    |                |      |  |    |    |   |
| AMP               | 13.2/6.6     |  |      |    |                |      |  |    |    |   |
| RPM               | 1750         |  |      |    |                |      |  |    |    |   |
| FRAME             | 184T         |  |      |    | HZ             | 60   |  |    | PH | 3 |
| SER.F.            | 1.15         |  | CODE | J  | DES            | B    |  | CL | F  |   |
| NEMA-NOM-EFF      | 89.5         |  | PF   | 80 |                |      |  |    |    |   |
| RATING            | 40C AMB-CONT |  |      |    |                |      |  |    |    |   |
| CC                | 010A         |  |      |    | USABLE AT 208V |      |  | 14 |    |   |
| DE                | 6206         |  |      |    | ODE            | 6205 |  |    |    |   |
| ENCL              | OPSB         |  | SN   |    |                |      |  |    |    |   |
|                   |              |  |      |    |                |      |  |    |    |   |

| Parts List  |  |          |
|-------------|--|----------|
| Part Number | Description                              | Quantity |
| SA210642    | SA 36H827S536G1                          | 1.000 EA |
| RA197880    | RA 36H827S536G1                          | 1.000 EA |
| TPBYV35KR   | THERMAL 3PH 1.25 AUT 135C                | 1.000 EA |
| 36CB3004A42 | 36 CB 1.09 @ 6, 1.25 ATO @ 3             | 1.000 EA |
| 36GS1000SP  | GASKET-CONDUIT BOX, .06 THICK #SV-330 LE | 1.000 EA |
| 51XB1016A08 | 10-16X 1/2HXWSSLD SERTYB                 | 2.000 EA |
| 11XW1032G06 | 10-32 X .38, TAPTITE II, HEX WSHR SLTD U | 1.000 EA |
| HA6015A09   | THERMAL RETAINER PLATED                  | 1.000 EA |
| 51XB1214A10 | 12-14 X 5/8HX WS SL SR TYBX              | 2.000 EA |
| 36EP3200A01 | FR ENDPLATE, ASSEMBLY FOR ROUTING        | 1.000 EA |
| HW4500A01   | 1641B(ALEMITE)400 UNIV, GREASE FITT      | 1.000 EA |
| HW5100A05   | WVY WSHR F/205 & 304 BRGS                | 1.000 EA |
| 36PE3201A01 | PU ENDPLATE, ASSEMBLY FOR ROUTING        | 1.000 EA |
| HW4500A01   | 1641B(ALEMITE)400 UNIV, GREASE FITT      | 1.000 EA |
| XY2520A12   | 1/4-20 HEX NUT, DIRECTIONAL SERRATIONS   | 4.000 EA |
| 36CB4516    | 36 LIPPED CB LID                         | 1.000 EA |
| 37GS1001SP  | GASKET, CONDUIT BOX LID, .06 THICK LEXID | 1.000 EA |
| 51XW0832A07 | 8-32 X .44, TAPTITE II, HEX WSHR SLTD SE | 4.000 EA |
| HW2501E16   | 3KEY, 1/4 SQ X 1.750                     | 1.000 EA |
| HA7000A02   | KEY RETAINER RING, 1 1/8 DIA, 1 3/8 DIA  | 1.000 EA |
| 85XU0407S04 | 4X1/4 U DRIVE PIN STAINLESS              | 2.000 EA |
| HA6362ZP    | LIFTING LUG FOR 36 FRAME MOTORS.         | 2.000 EA |
| MJ1000A02   | GREASE, POLYREX EM EXXON (USe 4824-15A)  | 0.050 LB |
| MG1000Y03   | MUNSELL 2.53Y 6.70/ 4.60, GLOSS 20,      | 0.022 GA |

| <b>Parts List (continued)</b> |  |                 |
|-------------------------------|--|-----------------|
| <b>Part Number</b>            | <b>Description</b>                       | <b>Quantity</b> |
| LB1115N                       | LABEL,LIFTING DEVICE (ON ROLLS)          | 1.000 EA        |
| 36AD2004A01                   | BAFFLE PLATE,MOD 36-SLTD BAND MTRS DELTA | 2.000 EA        |
| HA3101A40                     | THRUBOLT 1/4-20 X 12.687                 | 4.000 EA        |
| LB1118                        | LABEL,WARNING (ROLL LABEL)               | 1.000 EA        |
| LC0007                        | CONNECTION LABEL                         | 1.000 EA        |
| NP2601L                       | ALUM SUPER-E UL CSA-EEV PREM CC THERMAL  | 1.000 EA        |
| 36PA1000                      | PKG GRP, PRINT PK1016A06                 | 1.000 EA        |
| MN416A01                      | TAG-INSTAL-MAINT no wire (1000/bx) 11/14 | 1.000 EA        |

**AC Induction Motor Performance Data**

Record # 32558 - Typical performance - not guaranteed values

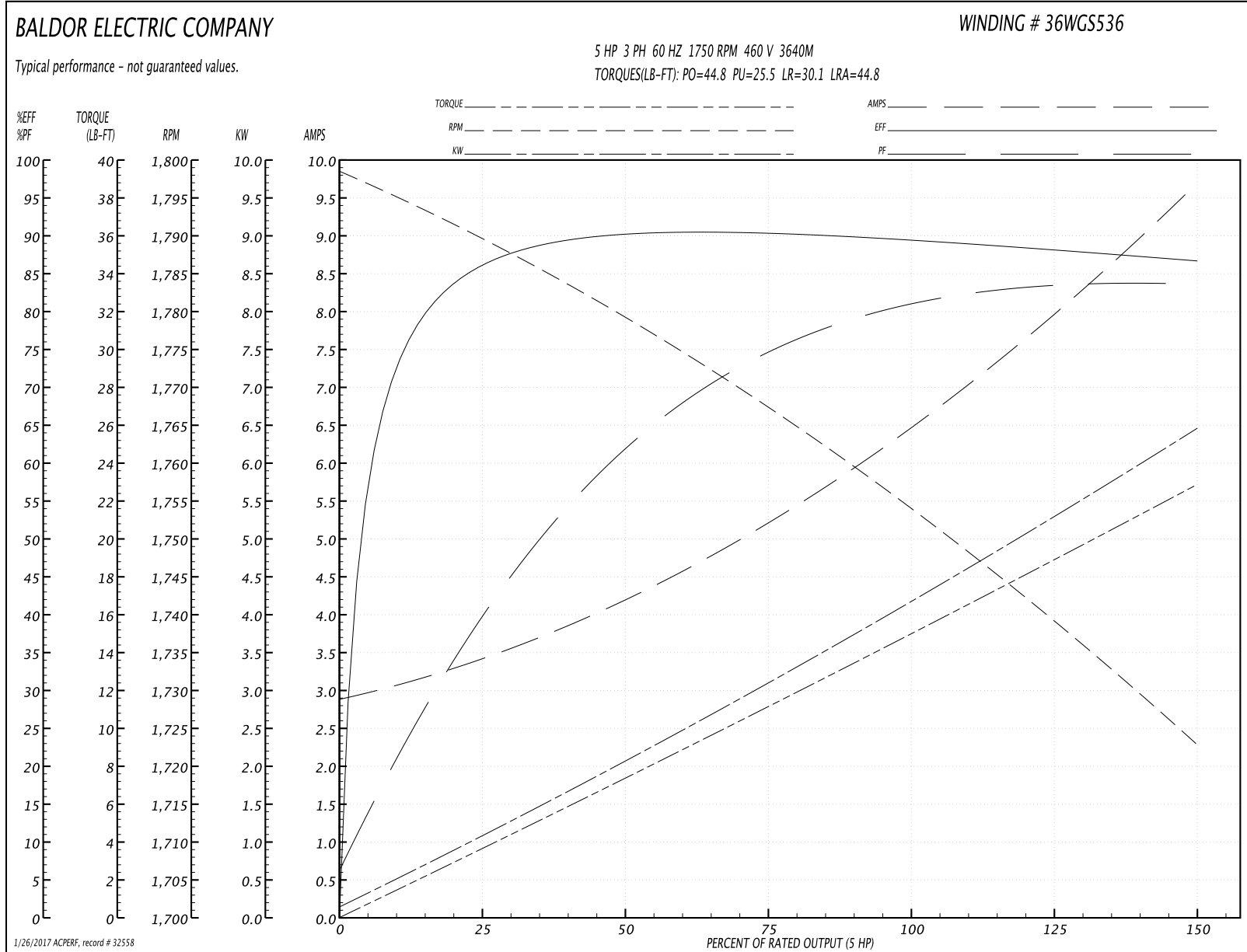
|                               |                    |                        |
|-------------------------------|--------------------|------------------------|
| <b>Winding:</b> 36WGS536-R005 | <b>Type:</b> 3640M | <b>Enclosure:</b> OPSB |
|-------------------------------|--------------------|------------------------|

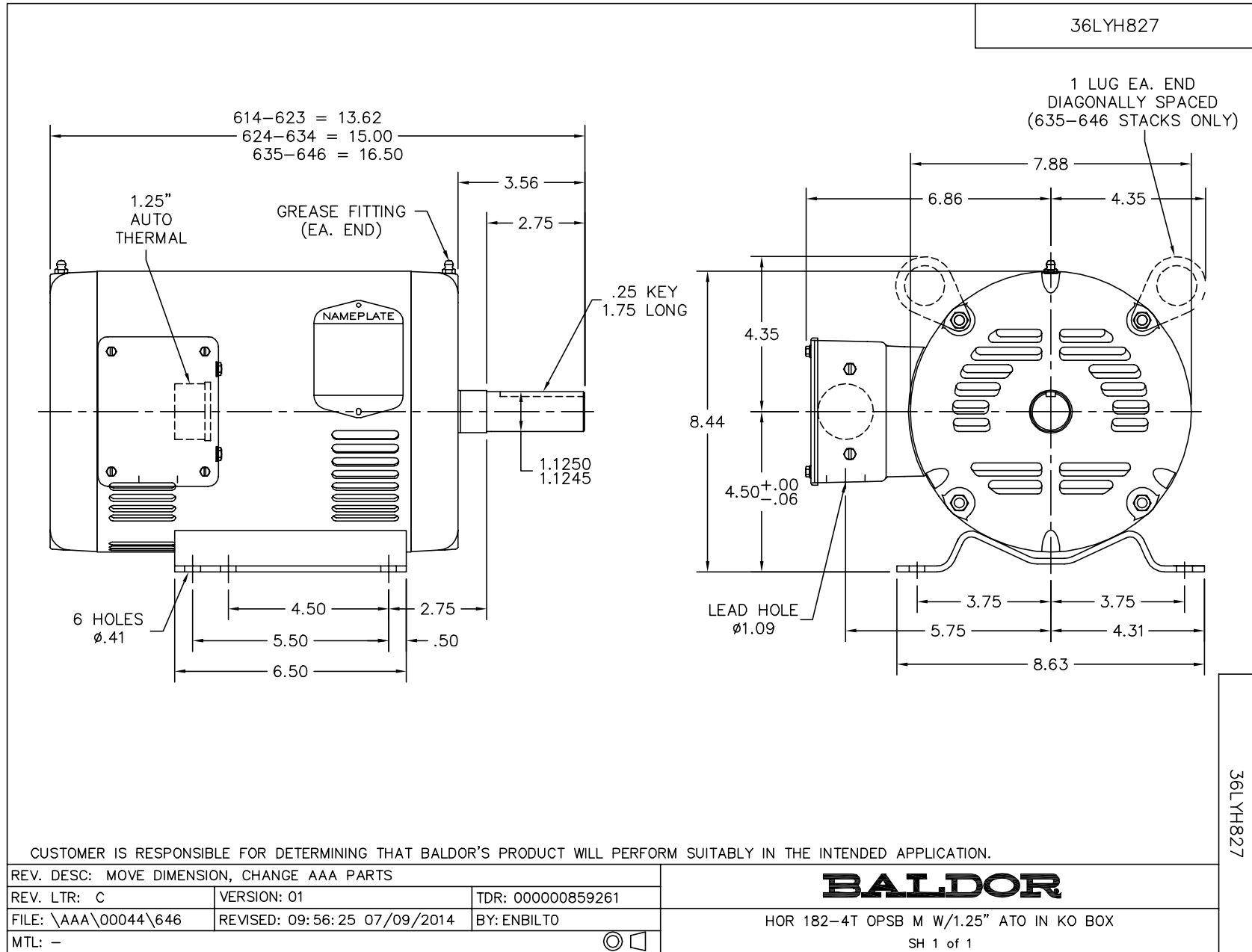
| Nameplate Data        |              |              |    | 460 V, 60 Hz:<br>High Voltage Connection |                          |
|-----------------------|--------------|--------------|----|--|--------------------------|
| Rated Output (HP)     | 5            |              |    | Full Load Torque                         | 15 LB-FT                 |
| Volts                 | 230/460      |              |    | Start Configuration                      | direct on line           |
| Full Load Amps        | 13.2/6.6     |              |    | Breakdown Torque                         | 44.8 LB-FT               |
| R.P.M.                | 1750         |              |    | Pull-up Torque                           | 25.5 LB-FT               |
| Hz                    | 60           | Phase        | 3  | Locked-rotor Torque                      | 30.1 LB-FT               |
| NEMA Design Code      | B            | KVA Code     | J  | Starting Current                         | 44.8 A                   |
| Service Factor (S.F.) | 1.15         |              |    | No-load Current                          | 2.97 A                   |
| NEMA Nom. Eff.        | 89.5         | Power Factor | 80 | Line-line Res. @ 25°C                    | 2.62 Ω                   |
| Rating - Duty         | 40C AMB-CONT |              |    | Temp. Rise @ Rated Load                  | 44°C                     |
| S.F. Amps             |              |              |    | Temp. Rise @ S.F. Load                   | 54°C                     |
|                       |              |              |    | Locked-rotor Power Factor                | 41                       |
|                       |              |              |    | Rotor inertia                            | 0.372 LB-FT <sup>2</sup> |

Load Characteristics 460 V, 60 Hz, 5 HP

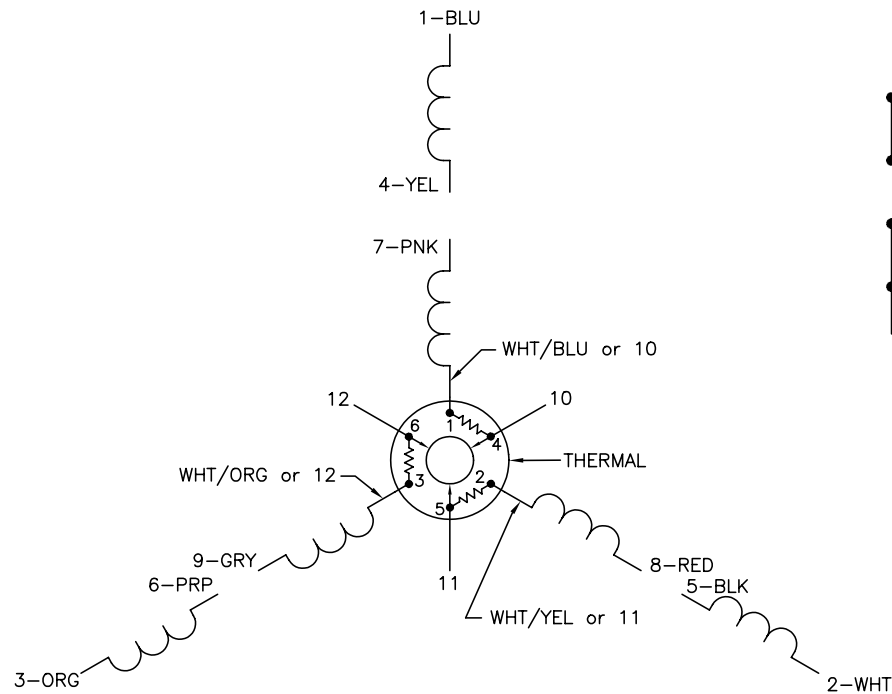
| % of Rated Load | 25   | 50   | 75   | 100  | 125  | 150  | S.F. |
|-----------------|------|------|------|------|------|------|------|
| Power Factor    | 42   | 63   | 75   | 80   | 83   | 84   | 82   |
| Efficiency      | 85.4 | 89.8 | 90.2 | 89.6 | 88.5 | 86.5 | 88.9 |
| Speed           | 1789 | 1779 | 1767 | 1754 | 1740 | 1722 | 1746 |
| Line amperes    | 3.32 | 4.13 | 5.25 | 6.57 | 8.03 | 9.65 | 7.45 |

Performance Graph at 460V, 60Hz, 5.0HP Typical performance - Not guaranteed values

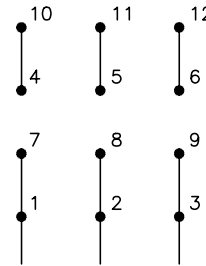




CD0007

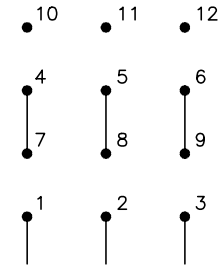


LOW VOLTAGE  
(2Y)



LINE

HIGH VOLTAGE  
(1Y)



LINE

NOTES:

1. INTERCHANGE ANY TWO LINE LEADS TO REVERSE ROTATION.
2. ACTUAL NUMBER OF INTERNAL PARALLEL CIRCUITS MAY VARY.
3. LEAD COLORS ARE OPTIONAL. LEADS MUST ALWAYS BE NUMBERED AS SHOWN.

CD0007

|                                  |         |                        |              |
|----------------------------------|---------|------------------------|--------------|
| REV. DESC: ADDED "CK" PLANT CODE |         |                        |              |
| REV. LTR: E                      | BY: EAH | REVISED: 05/06/99 17:1 | TDR: 0181040 |
| L00000                           |         | FILE: AAA00008370      | MDL: -       |
|                                  |         | MTL: -                 |              |

**BALDOR ELECTRIC Co.**

3PH, DV, THERMAL, 12 LEADS