

BALDOR® • ***RELIANCE***

Product Information Packet

EM3314T-G

15HP,3500RPM,3PH,60HZ,215T,3734M,OPSB,F1

Part Detail							
Revision:	K	Status:	PRD/A	Change #:		Proprietary:	No
Type:	AC	Prod. Type:	3734M	Elec. Spec:	37WGS867	CD Diagram:	CD0005
Enclosure:	OPSB	Mfg Plant:		Mech. Spec:	37J839	Layout:	37LYJ839
Frame:	215T	Mounting:	F1	Poles:	02	Created Date:	12-14-2011
Base:	RG	Rotation:	R	Insulation:	H	Eff. Date:	01-03-2017
Leads:	9#14					Replaced By:	
Literature:		Elec. Diagram:					

Nameplate NP1259L										
CAT.NO.	EM3314T-G									
SPEC.	37J839S867G1									
HP	15									
VOLTS	230/460									
AMP	35/17.5									
RPM	3500									
FRAME	215T				HZ	60			PH	3
SER.F.	1.15		CODE	G	DES	B		CL	H	
NEMA-NOM-EFF	90.2		PF	89						
RATING	40C AMB-CONT									
CC	010A				USABLE AT 208V					
DE	6307				ODE	6206				
ENCL	OPSB		SN							

Parts List		
Part Number	Description	Quantity
SA235991	SA 37J839S867G1	1.000 EA
RA222944	RA 37J839S867G1	1.000 EA
HA6361A01	LIFTING LUG FOR 37, 39 & 40 FRAME ZINC	2.000 EA
37CB3006	37 CB CASTING W/1.38 LEAD HOLE @ 6:00	1.000 EA
51XW2520A10	.25-20 X .62, TAPTITE II, HEX WSHR SLTD	2.000 EA
11XW1032G06	10-32 X .38, TAPTITE II, HEX WSHR SLTD U	1.000 EA
37EP3200A01SP	FR ENDPLATE, FOR ROUTING PURPOSES	1.000 EA
HW4500A01	1641B(ALEMITE)400 UNIV, GREASE FITT	1.000 EA
HW5100A06	W2420-025 WVY WSHR (WB)	1.000 EA
37PE3201A80	PU ENDPLATE ASSEMBLY FOR ROUTING	1.000 EA
10XN2520A28	1/4-20X 1 3/4 HEX HD	4.000 EA
HW1001A25	LOCKWASHER 1/4, ZINC PLT .493 OD, .255 I	4.000 EA
HW4500A01	1641B(ALEMITE)400 UNIV, GREASE FITT	1.000 EA
XY3118A12	5/16-18 HEX NUT DIRECTIONAL SERRATION	4.000 EA
37CB4516	LIPPED LID FOR 37 FRAME NEC KOBX	1.000 EA
51XW0832A07	8-32 X .44, TAPTITE II, HEX WSHR SLTD SE	4.000 EA
HW2501F21	KEY, 5/16 SQ X 2.375	1.000 EA
HA7000A02	KEY RETAINER RING, 1 1/8 DIA, 1 3/8 DIA	1.000 EA
85XU0407S04	4X1/4 U DRIVE PIN STAINLESS	2.000 EA
LB1115N	LABEL,LIFTING DEVICE (ON ROLLS)	1.000 EA
LB1459	AEGIS SGR LABEL "AEGISLBL-100"	1.000 EA
MJ1000A02	GREASE, POLYREX EM EXXON (USe 4824-15A)	0.050 LB
HA3104A39	THRUBOLT-5/16-18 X 12.250	4.000 EA
37AD2001A01	BAFFLE PLATE, STAMPED	2.000 EA

Parts List (continued)		
Part Number	Description	Quantity
MG1000Y03	MUNSELL 2.53Y 6.70/ 4.60, GLOSS 20,	0.028 GA
LC0005E01	CONN.DIA./WARNING LABEL (LC0005/LB1119N)	1.000 EA
NP1259L	ALUM SUPER-E UL CSA-EEV CC NEMA PREMIUM	1.000 EA
36PA1001	PKG GRP, PRINT PK1017A06	1.000 EA
MN416A01	TAG-INSTAL-MAINT no wire (1000/bx) 11/14	1.000 EA
LB1350	BAR CODE LABEL FOR YORK	1.000 EA

AC Induction Motor Performance Data

Record # 48209 - Typical performance - not guaranteed values

Winding: 37WGS867-R002	Type: 3734M	Enclosure: OPSB
-------------------------------	--------------------	------------------------

Nameplate Data				460 V, 60 Hz: High Voltage Connection	
Rated Output (HP)	15			Full Load Torque	22.6 LB-FT
Volts	230/460			Start Configuration	direct on line
Full Load Amps	35/17.5			Breakdown Torque	92 LB-FT
R.P.M.	3500			Pull-up Torque	28.5 LB-FT
Hz	60	Phase	3	Locked-rotor Torque	37.5 LB-FT
NEMA Design Code	B	KVA Code	G	Starting Current	109 A
Service Factor (S.F.)	1.15			No-load Current	5.49 A
NEMA Nom. Eff.	90.2	Power Factor	89	Line-line Res. @ 25°C	0.675 Ω
Rating - Duty	40C AMB-CONT			Temp. Rise @ Rated Load	46°C
S.F. Amps				Temp. Rise @ S.F. Load	58°C
				Locked-rotor Power Factor	32.8
				Rotor inertia	0.31 LB-FT ²

Load Characteristics 460 V, 60 Hz, 15 HP

% of Rated Load	25	50	75	100	125	150	S.F.
Power Factor	58	78	86	89	89	88	89
Efficiency	90.3	92.5	92.1	90.8	89.4	87.2	90
Speed	3572	3545	3515	3480	3441	3399	3457
Line amperes	6.69	9.59	13.2	17.3	22	27.3	20.1

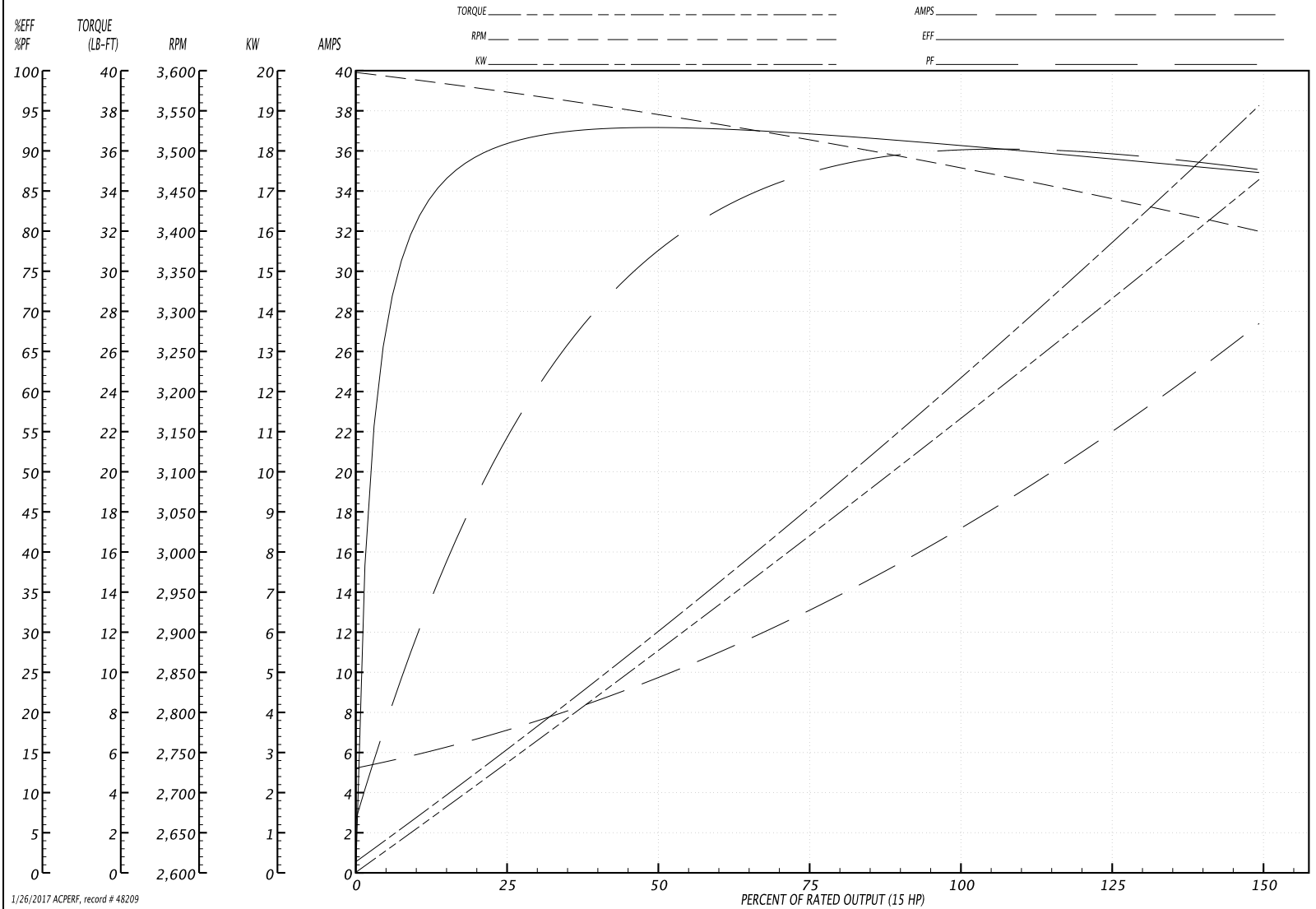
Performance Graph at 460V, 60Hz, 15.0HP Typical performance - Not guaranteed values

BALDOR ELECTRIC COMPANY

WINDING # 37WGS867

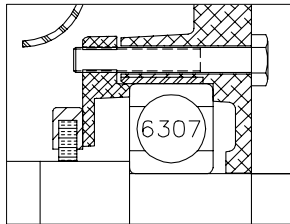
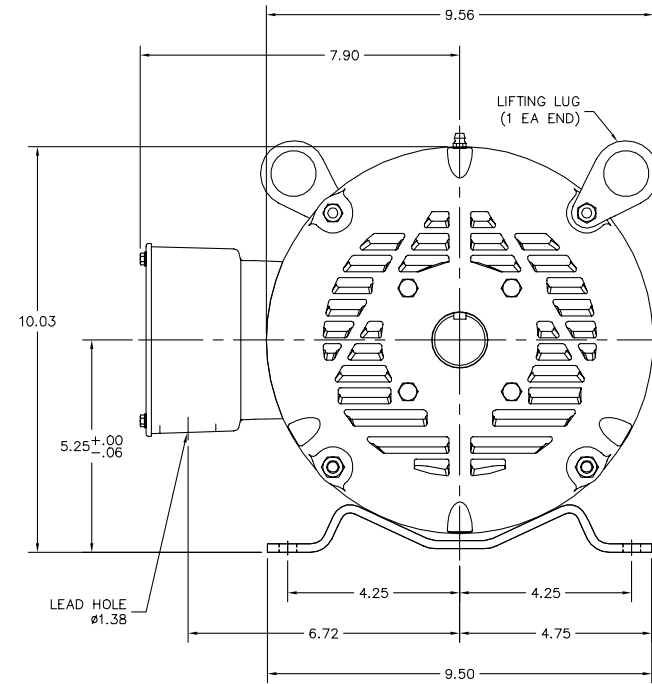
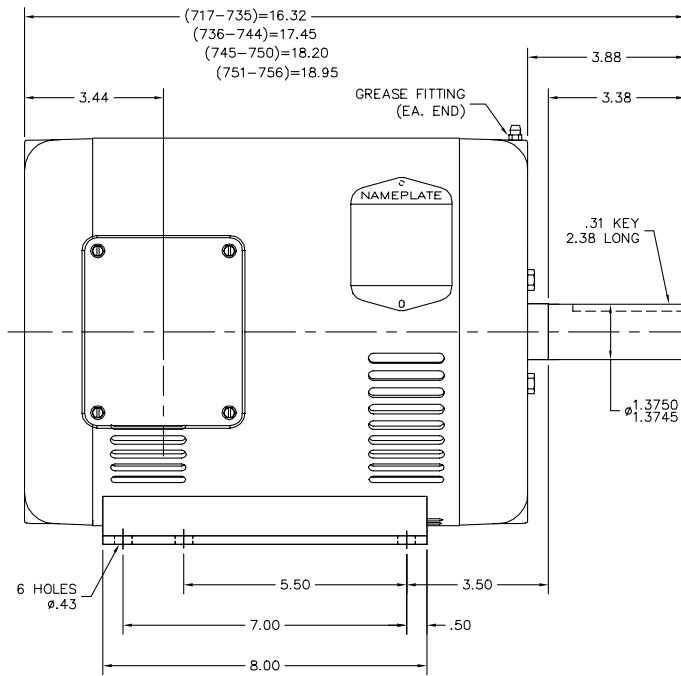
Typical performance - not guaranteed values.

15 HP 3 PH 60 HZ 3500 RPM 460 V 3734M
 TORQUES(LB-FT): PO=92 PU=28.5 LR=37.5 LRA=109



1/26/2017 ACPERF, record # 48209

37LYJ839



PU END DETAIL

CUSTOMER IS RESPONSIBLE FOR DETERMINING THAT BALDOR'S PRODUCT WILL PERFORM SUITABLY IN THE INTENDED APPLICATION.

REV. DESC: NEW	VERSION: 00	TDR: 000000553350
REV. LTR: -	REVISED: 01:15:32 08/26/2010	BY: ENWINBO
FILE: \AAA\00174\569		
MTL: -		

BALDOR

HOR 213-5T OPSB M, AEGIS INT SHAFT GND
SH 1 of 1

37LYJ839

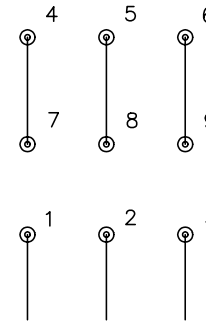
CD0005



LOW VOLTAGE
(2Y)



HIGH VOLTAGE
(1Y)



NOTES:

1. INTERCHANGE ANY TWO LINE LEADS TO REVERSE ROTATION.
2. OPTIONAL THERMOSTATS ARE PROVIDED WHEN SPECIFIED.
3. ACTUAL NUMBER OF INTERNAL PARALLEL CIRCUITS MAY BE A MULTIPLE OF THOSE SHOWN ABOVE.
4. LEAD COLORS ARE OPTIONAL. LEADS MUST ALWAYS BE NUMBERED AS SHOWN.

REV. DESC: REVISE TO SHOW OPTIONAL COLORS			
REV. LTR: E	BY: JLP	REVISED: 01/19/99 10:15	TDR: 0171435
90000		FILE: AAA00005140	MDL: -
		MTL: -	

BALDOR ELECTRIC Co.

3PH, DV, 9 LEADS

CD0005