

BALDOR® • ***RELIANCE***

Product Information Packet

EM44352T-4

350HP,3570RPM,3PH,60HZ,449TS,TEFC,F1

| Part Detail | | | | | | | |
|-------------|--------------------|----------------|---------|-------------|-----------|---------------|------------|
| Revision: | A | Status: | PRD/A | Change #: | | Proprietary: | No |
| Type: | AC | Prod. Type: | A44144M | Elec. Spec: | A44WG2866 | CD Diagram: | 416820-008 |
| Enclosure: | TEFC | Mfg Plant: | | Mech. Spec: | | Layout: | 617427-445 |
| Frame: | 449TS | Mounting: | F1 | Poles: | 02 | Created Date: | 04-02-2015 |
| Base: | | Rotation: | R | Insulation: | F | Eff. Date: | 06-03-2016 |
| Leads: | 6#1 (02 per group) | | | | | Replaced By: | |
| Literature: | | Elec. Diagram: | | | | | |

| | |
|-------------------|--|
| Nameplate NP2496L | |
| MOBIL POLYREX EM | |
| | |

| Nameplate NP2349L | | | | | | | | | |
|-------------------|---------------|--------------|------------|-------------------------|-------|-----------------------|------|------|------|
| SPEC NO. | A44-7089-2866 | CAT.NO. | EM44352T-4 | FRAME | 449TS | | | | |
| HP | 350 | VOLTS | 460 | PHASE | 3 | DESIGN | B | TYPE | P |
| RPM | 3570 | AMPS | 375 | HZ | 60 | AMB | 40 | SF | 1.15 |
| DRIVE END BEARING | 65BC03J30X | DUTY | CONT | INSUL.CLASS | F | | | | |
| OPP D.E. BEARING | 65BC03J30X | ENCL | TEFC | CODE | G | | | | |
| SER.NO. | | POWER FACTOR | 91 | NEMA-NOM-EFFICIENCY | 96.2 | | | | |
| | | | | MAX CORR KVAR | 53.7 | GUARANTEED EFFICIENCY | 95.4 | | |
| | | | | NEMA NOM/CSA QUOTED EFF | | | | | |
| | | | | MOTOR WEIGHT | 2855 | | | | |

| Parts List | | |
|-------------|--|----------|
| Part Number | Description | Quantity |
| SA296098 | SA A44-7089-2866 | 1.000 EA |
| RA282149 | RA A44-7089-2866 | 1.000 EA |
| 421948044 | LABEL, MYLAR | 1.000 EA |
| NP2496L | MOTOR LUBE NAMEPLATE | 1.000 EA |
| 000613006PU | N/P (RELEASE QTY 10,000) UL CSA LABEL | 1.000 EA |
| 000692000FF | N/P | 1.000 EA |
| 000692000VD | LABEL WARNING | 1.000 EA |
| NP2349L | SUPER-E ,SS, CSA, CSA SUPER-E | 1.000 EA |
| 089490097A | BRKT 089490102WCA | 1.000 EA |
| 415072001B | CLAMP | 1.000 EA |
| 083199126RA | G28 MOLDED FAN COVER W/BAFFLE ASSEMBLY | 1.000 EA |
| 034180014DA | KEY 1/4X1/4X1-3/4 L | 1.000 EA |
| 078548001R | FAN KB 234/150 (84) 400 | 1.000 EA |
| 004824015A | GREASE POLYREX EM | 0.540 LB |
| 032018020FK | HHCS 3/4-10X2-1/2 PLTD. | 4.000 EA |
| 032018008CK | HHCS 3/8-16X1L PLATED | 4.000 EA |
| 032018022CK | HHCS 3/8-16X2-3/4 PLTD | 3.000 EA |
| 415096002A | CPLG 1/8 HEX TYPE | 1.000 EA |
| 410700004F | WSHR | 1.000 EA |
| 034017014AB | LCKW 3/8 STD. PLATED | 4.000 EA |
| 034530072AB | P/NIP 1/8X9"L Threaded both ends | 1.000 EA |
| 034690005AB | PPLG 3/4 PLATED | 1.000 EA |
| 034630002AB | CPLG 1/4" PLATED | 1.000 EA |
| 034690002AB | "unbulked" PPLG 1/4" PLTD. | 1.000 EA |

| Parts List (continued) | | |
|------------------------|--|----------|
| Part Number | Description | Quantity |
| 034690001AB | SQHDPLG, COND | 1.000 EA |
| 034530072BB | PIPE NIPPLE,DE - 440-BS | 1.000 EA |
| 032620016LA | SOCKET SET SCREW-449 | 3.000 EA |
| 034630002AB | CPLG 1/4" PLATED | 1.000 EA |
| 034530072BB | PIPE NIPPLE,DE - 440-BS | 1.000 EA |
| 034690002AB | "unbulked" PPLG 1/4" PLTD. | 1.000 EA |
| 034690001AB | SQHDPLG, COND | 1.000 EA |
| 702623012A | THERMAL BARRIER, G28 | 1.000 EA |
| 032018004BK | HHCS 5/16-18X1/2 PLATED | 3.000 EA |
| 034000013AB | WSHR 5/16" PLATED-440 | 3.000 EA |
| 089490097A | BRKT 089490102WCA | 1.000 EA |
| 032018020FK | HHCS 3/4-10X2-1/2 PLTD. | 4.000 EA |
| 032018022CK | HHCS 3/8-16X2-3/4 PLTD | 3.000 EA |
| 034530072AB | P/NIP 1/8X9"L Threaded both ends | 1.000 EA |
| 415096002A | CPLG 1/8 HEX TYPE | 1.000 EA |
| 032018006BK | HHCS 5/16-18X3/4 PLATED | 3.000 EA |
| 034017013AB | LCKW 5/16 STD. PLATED | 3.000 EA |
| 702623022A | G28 AIR DEFLECTOR DRIVE END -- PLASTIC | 1.000 EA |
| 034001013AB | FTW BAFFLE | 3.000 EA |
| 415915007K | GASK, 26" LAC | 1.000 EA |
| 406056008A | GASKET, TERBD 440 | 1.000 EA |
| 418150003A | GREASE FITTING CAP | 1.000 EA |
| 032018008DK | HHCS 1/2-13X1 PLATED | 4.000 EA |
| 702616012T | CONDUIT BOX | 1.000 EA |

Product Information Packet: EM44352T-4 - 350HP,3570RPM,3PH,60HZ,449TS,TEFC,F1

| | | |
|-------------|---|----------|
| 035000001A | ALFTG 1/8" 1610-BL | 1.000 EA |
| 406099000A | PLUG - FAN COVER 320-440 | 1.000 EA |
| 035000001A | ALFTG 1/8" 1610-BL | 1.000 EA |
| 418150003A | GREASE FITTING CAP | 1.000 EA |
| MG1025Y03 | WILKOFASST, 789.701, SUPER E PEARL GOLD | 2.000 QT |
| 033775004EA | DRSCR #6-1/4 304 S.S. | 2.000 EA |
| 034180024HA | KEY 5/8X5/8X3 L | 1.000 EA |
| 604797056 | 400-447 FRAME 60 X 42 | 1.000 EA |
| 032510026D | CARRIAGE BOLT - 440 | 2.000 EA |
| 034001014AB | FLAT WASHER 3/8"PLATED | 2.000 EA |
| 034001016AB | WSHR .562ID 1.375OD .109 | 2.000 EA |
| 033300014AC | HEX NUT, SHIPPING - 400 | 2.000 EA |
| 604797003C | SHIPPING BAG | 1.000 EA |

| | | | | | | |
|-----------|-------------|-------------------|--------------|--|----------------|-------|
| REL. S.O. | FRAME | HP | TYPE | PHASE/HERTZ | RPM | VOLTS |
| | 449T | 350 | P | 3/60 | 3570 | 460 |
| AMPS | DUTY | AMB °C/ INSUL. | S.F. | NEMA DESIGN | CODE LETTER | ENCL. |
| 375 | CONT | 40/F | 1.15 | B | G | TEFC |
| E/S | ROTOR | TEST S.O. | TEST DATE | STATOR RES. @25 °C OHMS (BETWEEN LINES) | | |
| 433632 | 418143013YE | --- | --- | .00706 | | |

PERFORMANCE

| LOAD | HP | AMPERES | RPM | POWER FACTOR % | EFFICIENCY % |
|---------|------|---------|------|----------------|--------------|
| NO LOAD | 0 | 74.9 | 3600 | 7.37 | 0 |
| 1/4 | 87.5 | 116 | 3593 | 75.5 | 93.2 |
| 2/4 | 175 | 193 | 3586 | 88.6 | 95.7 |
| 3/4 | 263 | 281 | 3579 | 90.9 | 96.2 |
| 4/4 | 350 | 375 | 3572 | 90.8 | 96.2 |
| 5/4 | 437 | 469 | 3563 | 90.9 | 95.9 |

SPEED TORQUE

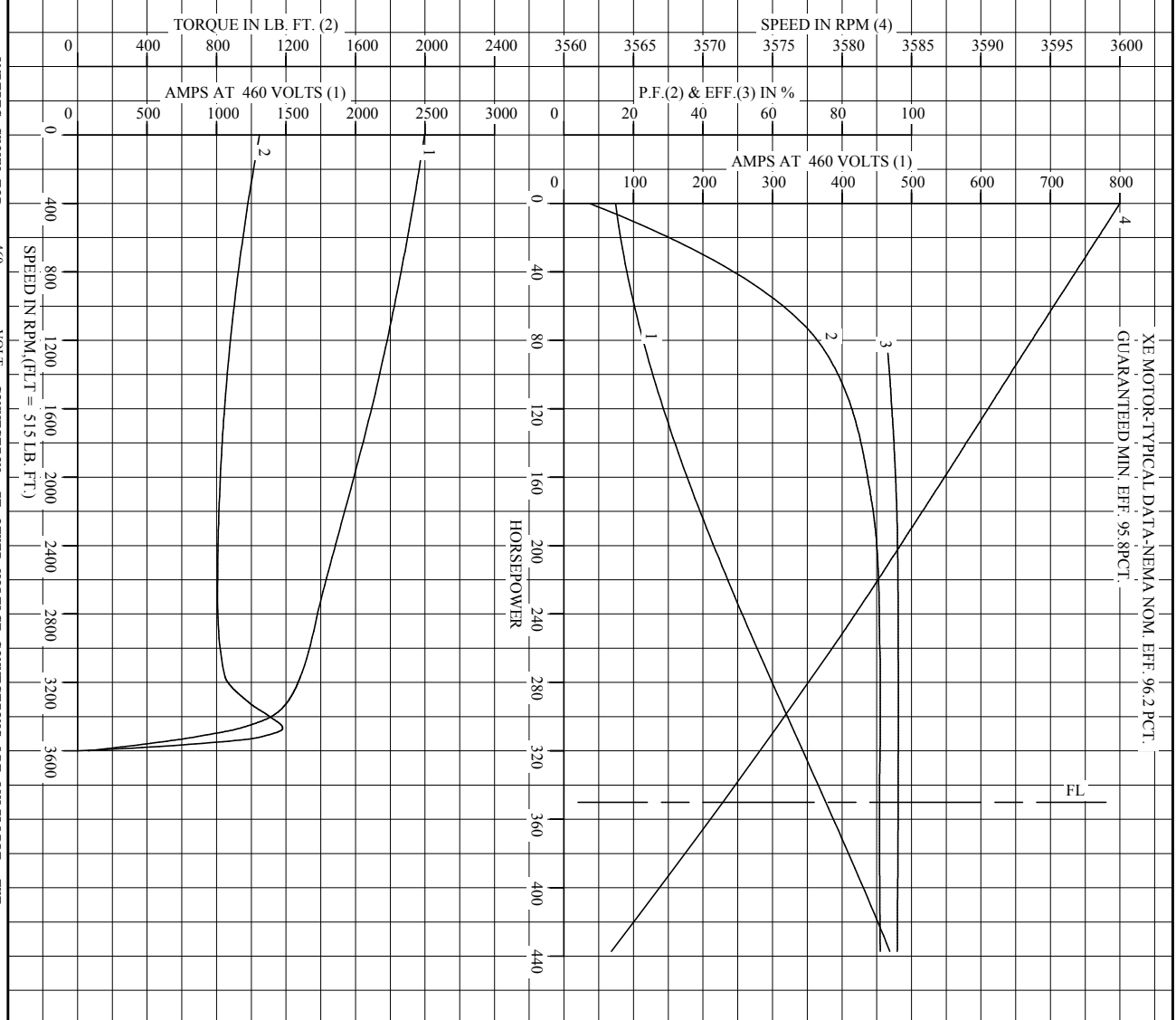
| | RPM | TORQUE % FULL LOAD | TORQUE LB.-FT. | AMPERES |
|--------------|------|--------------------|----------------|---------|
| LOCKED ROTOR | 0 | 203 | 1047 | 2496 |
| PULL UP | 2700 | 157 | 806 | 1756 |
| BREAKDOWN | 3468 | 229 | 1181 | 1165 |
| FULL LOAD | 3572 | 100 | 515 | 375 |

AMPERES SHOWN FOR 460. VOLT CONNECTION. IF OTHER VOLTAGE CONNECTIONS ARE AVAILABLE, THE AMPERES WILL VARY INVERSELY WITH THE RATED VOLTAGE

REMARKS: XE MOTOR-TYPICAL DATA-NEMA NOM. EFF. 96.2 PCT. GUARANTEED MIN. EFF. 95.8PCT.

| | | | |
|---------------|---------|---------------|---------------------|
| BALDOR | DR. BY | J.J. HARRISON | A-C MOTOR |
| | CK. BY | W.I. SMITH | |
| | APP. BY | W.I. SMITH | PERFORMANCE |
| | DATE | 03/20/08 | DATA |
| | | | A44WG2866-R001 |
| | | | ISSUE DATE 03/20/08 |

REL. S. O. RPM 3570 S.F. 1.15 ROTOR 418143013VE
 FRAME 449T VOLTS 460 NEMA DESIGN B TEST S. O. ---
 HP 350 AMPS 375 CODE LETTER G TEST DATE ---
 TYPE P DUTY CONT ENCLOSURE TEFC STATOR RES. @ 25 °C .00706
 PHASE/HERTZ 3/60 AMB °C/INSUL 40/F E/S 43632 OHMS (BETWEEN LINES)



AMPERES SHOWN FOR 460 VOLT CONNECTION, IF OTHER VOLTAGE CONNECTIONS ARE AVAILABLE, THE AMPERES WILL VARY INVERSELY WITH THE RATED VOLTAGE.

BALDOR

DR. BY J.HARRISON
 CK. BY W.L.SMITH
 APP. BY W.L.SMITH
 DATE 03/20/08

A-C MOTOR PERFORMANCE CURVES A44W/G2866-R001
 ISSUE DATE 03/20/08

Printed on 2/3/11 11:25 @ usmghengdev1

DUTY MASTER ALTERNATING CURRENT MOTORS

SQUIRREL-CAGE INDUCTION

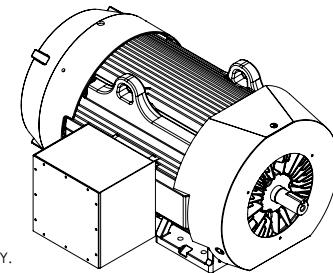
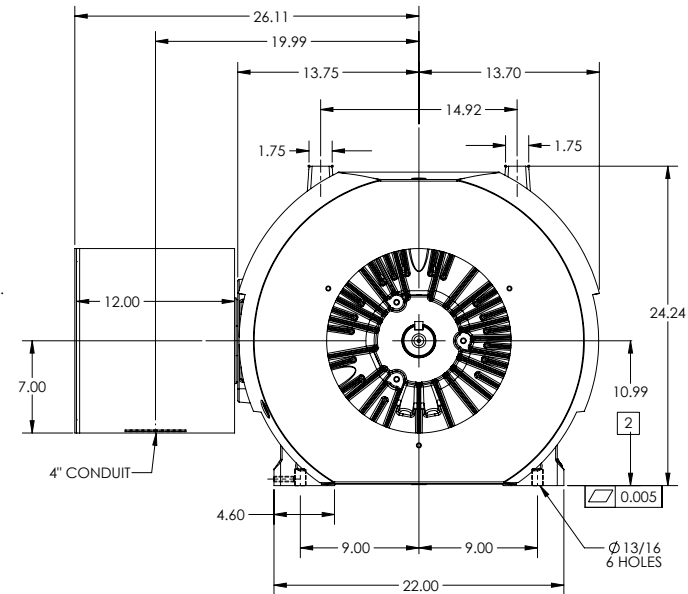
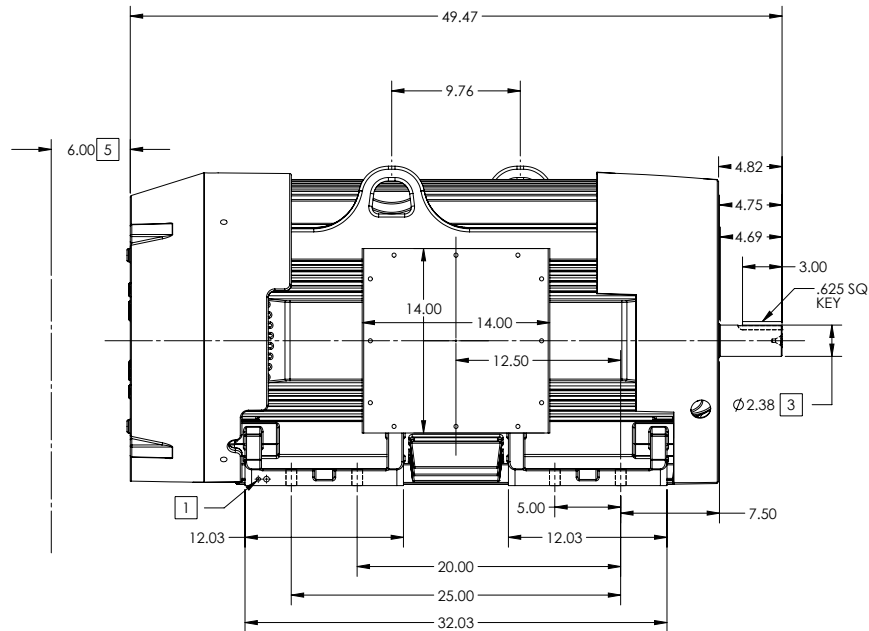
ENCLOSURE: TOTALLY ENCLOSED

FRAME 449TS ABOVE NEMA RATINGS (3600 RPM MAX)

COOLING: FAN COOLED

MOUNTING: FOOT

INCLUDES 447TS FRAME MOUNTING HOLES



4 WEIGHT (LBS): 3080

DRIVE END AIR DEFLECTOR IS ONLY INCLUDED WHEN NECESSARY.

DIMENSIONS ARE IN INCHES

CUSTOMER IS RESPONSIBLE FOR DETERMINING THAT MOTOR PERFORMANCE IS SUITABLE IN THE APPLICATION.

1. GROUND HOLES QTY 1 1/2-13 TAP; QTY 1 3/8-16 TAP
2. VARIES +.00, -.06
3. VARIES +.000, -.001
4. MOTOR WEIGHTS MAY VARY BY 15% DEPENDING ON RATING.
5. OBSTRUCTION MUST NOT ENCR OACH ON AIR INLET

CONDUIT BOX LOCATED ON OPPOSITE SIDE WHEN F-2.
IF MOUNTING CLEARANCE DETAILS ARE REQUIRED, CONSULT FACTORY.
MAXIMUM PERMISSIBLE SHAFT RUNOUT WHEN MEASURED AT END OF
STANDARD SHAFT EXTENSION IS .003" T.I.R. TO 5 INCH DIA.

SHEET NUMBER
1 OF 2

617427-445

| | | | |
|------------------------|-------------|------------------------------|------------------|
| REV. DESC: NEW DRAWING | VERSION: 00 | REVISED: 11-13-38 04/02/2015 | TDR: 00000918312 |
| MODEL NO. 617427-445 | BY: RAGEC | | |

BALDOR

G449TS-447TS-FOOTED-SIDE-CENTER CONDUIT BOX-14X14X12

DUTY MASTER ALTERNATING CURRENT MOTORS

SQUIRREL-CAGE INDUCTION

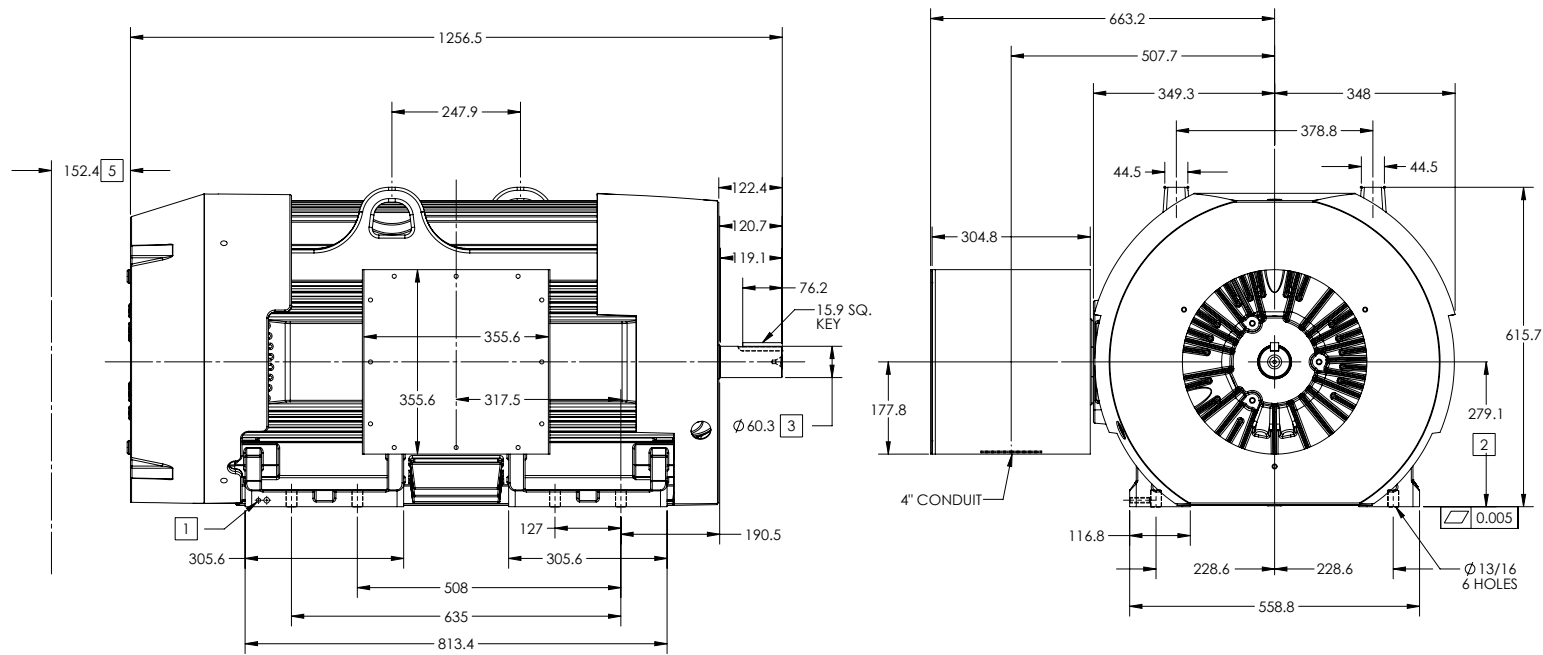
ENCLOSURE: TOTALLY ENCLOSED

FRAME 449TS ABOVE NEMA RATINGS (3600 RPM MAX)

COOLING: FAN COOLED

MOUNTING: FOOT

INCLUDES 447TS FRAME MOUNTING HOLES



1. GROUND HOLES QTY 1 1/2-13 TAP; QTY 1 3/8-16 TAP
2. VARIES +0. -1.5
3. VARIES +.00 - .03
4. MOTOR WEIGHTS MAY VARY BY 15% DEPENDING ON RATING.
5. OBSTRUCTION MUST NOT ENCR OACH ON AIR INLET

CONDUIT BOX LOCATED ON OPPOSITE SIDE WHEN F-2.
 IF MOUNTING CLEARANCE DETAILS ARE REQUIRED, CONSULT FACTORY.
 MAXIMUM PERMISSIBLE SHAFT RUNOUT WHEN MEASURED AT END OF
 STANDARD SHAFT EXTENSION IS .08 MM T.I.R. TO 127 MM DIA.

5 WEIGHT (KGS): 1400

DRIVE END AIR DEFLECTOR IS ONLY INCLUDED WHEN NECESSARY.

DIMENSIONS ARE IN MILLIMETERS

CUSTOMER IS RESPONSIBLE FOR DETERMINING THAT MOTOR PERFORMANCE IS SUITABLE IN THE APPLICATION.

SHEET NUMBER
2 OF 2

5HP-27-119

| | | | |
|------------------------|-------------|------------------------------|------------------|
| REV. DESC: NEW DRAWING | VERSION: 00 | REVISED: 11-13-38 04/02/2015 | TDR: 00000918312 |
| MODEL NO. 617427-445 | BY: RAGEC | | |

BALDOR

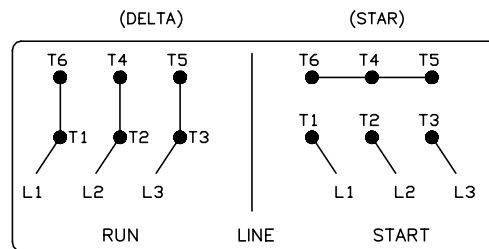
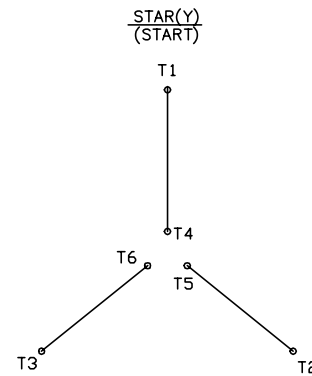
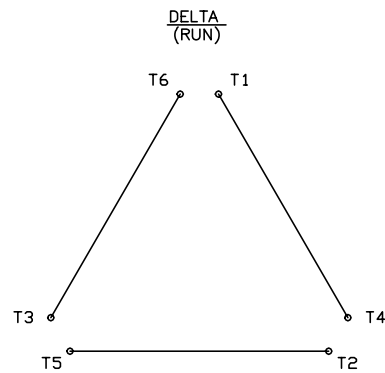
G449TS-447TS-FOOTED-SIDE-CENTER CONDUIT BOX-14X14X12

416820-008

A-C MOTOR CONNECTION DIAGRAM

STANDARD 6 LEAD

Y START - DELTA RUN



< N. P. 1767-DC >

416820-008

| | | |
|--|--------------------------------|-------------------|
| REV. DESC: ADDED T4 TO Y CONNECT DIAGRAM | | |
| REV. LTR: D | VERSION: 04 | TDR: 000000847713 |
| FILE: \RAG\00001\808 | REVISED: 10: 41: 26 04/08/2014 | BY: RAGJSS1 |
| MTL: - | ⊙ □ | |

BALDOR

CONNECT DIAGRAM STD 6 LEAD Y START DELTA RUN

SH 1 of 1

Marketing maintained PDF of MN408:

<http://www.baldor.com/support/Literature/Load.ashx/MN408?ManNumber=MN408>

Marketing maintained PDF of MN416:

<http://www.baldor.com/support/Literature/Load.ashx/MN416?ManNumber=MN416>