

# **BALDOR® • RELIANCE**

## **Product Information Packet**

### **EM7047T**

**7.5//5HP, 1770//1475RPM, 3PH, 60//50HZ, 213T**

Part Detail							
Revision:	-	Status:	PRD/A	Change #:		Proprietary:	No
Type:	AC	Prod. Type:	3738M	Elec. Spec:	37WGR872	CD Diagram:	CD0005
Enclosure:	XPFC	Mfg Plant:		Mech. Spec:	37H239	Layout:	37LYH239
Frame:	213T	Mounting:	F1	Poles:	04	Created Date:	12-07-2015
Base:	RG	Rotation:	R	Insulation:	B	Eff. Date:	12-11-2015
Leads:	9#14					Replaced By:	
Literature:		Elec. Diagram:					

Nameplate NP1426XPSLEV	
NO.	[ ] CC 010A
SER.	[ ]
SPEC.	37H239R872G1
CAT.NO.	EM7047T
HP	7.5//5 T. CODE T3C
VOLTS	230/460//190/380
AMPS	19/9.5//16.2/8.1
RPM	1770//1475
HZ	60//50 PH 3 CL B
SER.F.	1.00 DES A CODE J
RATING	40C AMB-CONT
FRAME	213T NEMA-NOM-EFF 91.7
USABLE AT 208V	20 PF 80
BLANK	[ ]

Parts List		
Part Number	Description	Quantity
SA311542	SA 37H239R872G1	1.000 EA
RA298969	RA 37H239R872G1	1.000 EA
37FN3002C01	EXFN, PLASTIC, 6.00 OD, 1.155 ID	1.000 EA
35CB3001A02SP	EXPL PROOF CONDUIT BOX, 3/4"PIPE TAP LEA	1.000 EA
11XW1032G06	10-32 X .38, TAPTITE II, HEX WSHR SLTD U	1.000 EA
HW3001B01	BRASS CUP WASHER, FOR #8 SCREW	1.000 EA
37EP1102A01	STD FR EP, XPFC	1.000 EA
HW4500A19	1/4-28X1/4 SLOTTED PLUG F/S	2.000 EA
HW5100A06	W2420-025 WVY WSHR (WB)	1.000 EA
37EP1701A02	PU ENDPLATE,TEFC, 1 FAN, W/GREASER, MACH	1.000 EA
HW4500A19	1/4-28X1/4 SLOTTED PLUG F/S	2.000 EA
XY5013A12	NUT,1/2-13,HEX,STEEL,ZINCPLATED	4.000 EA
37FH2000A01SP	STD XPROOF FAN COVER	1.000 EA
10XN2520A12	O1/4-20X 3/4 HEX HEAD CAP	4.000 EA
HW1001A25	LOCKWASHER 1/4, ZINC PLT .493 OD, .255 I	4.000 EA
35CB3500A01SP	CONDUIT BOX LID, MACH	1.000 EA
51XN2520A16	SCREW, HEX WS SLT, ZN, 1/4-20 X 1.00	4.000 EA
HW2501F21	KEY, 5/16 SQ X 2.375	1.000 EA
HA7000A02	KEY RETAINER RING, 1 1/8 DIA, 1 3/8 DIA	1.000 EA
85XU0407S04	4X1/4 U DRIVE PIN STAINLESS	6.000 EA
LB1115N	LABEL,LIFTING DEVICE (ON ROLLS)	1.000 EA
NP0018F	ALUM UL XP CONDUIT BOX NAMEPLATE	1.000 EA
MJ1000A02	GREASE, POLYREX EM EXXON (USe 4824-15A)	0.050 LB
51XB1214A20	12-14X1.25 HXWSSLD SERTYB	1.000 EA

<b>Parts List (continued)</b>		
<b>Part Number</b>	<b>Description</b>	<b>Quantity</b>
XY2520A12	1/4-20 HEX NUT, DIRECTIONAL SERRATIONS	1.000 EA
MG1025G29	WILKOFAS, 789.229, DARK CHARCOAL GRAY	0.028 GA
HA3106A04	THRUBOLT- 1/2-13 X 12.625	4.000 EA
LB1119N	WARNING LABEL	1.000 EA
LC0145B01	CONNECTION LABEL	1.000 EA
NP1426XPSLEV	SS XP UL CSA-EEV CC CL-I GP-D	1.000 EA
37PA1039	PALLET PACK GRP, PRINT PK1026A06	1.000 EA
MN416A01	TAG-INSTAL-MAINT no wire (1000/bx) 11/14	1.000 EA

**AC Induction Motor Performance Data**

Record # 54306 - Typical performance - not guaranteed values

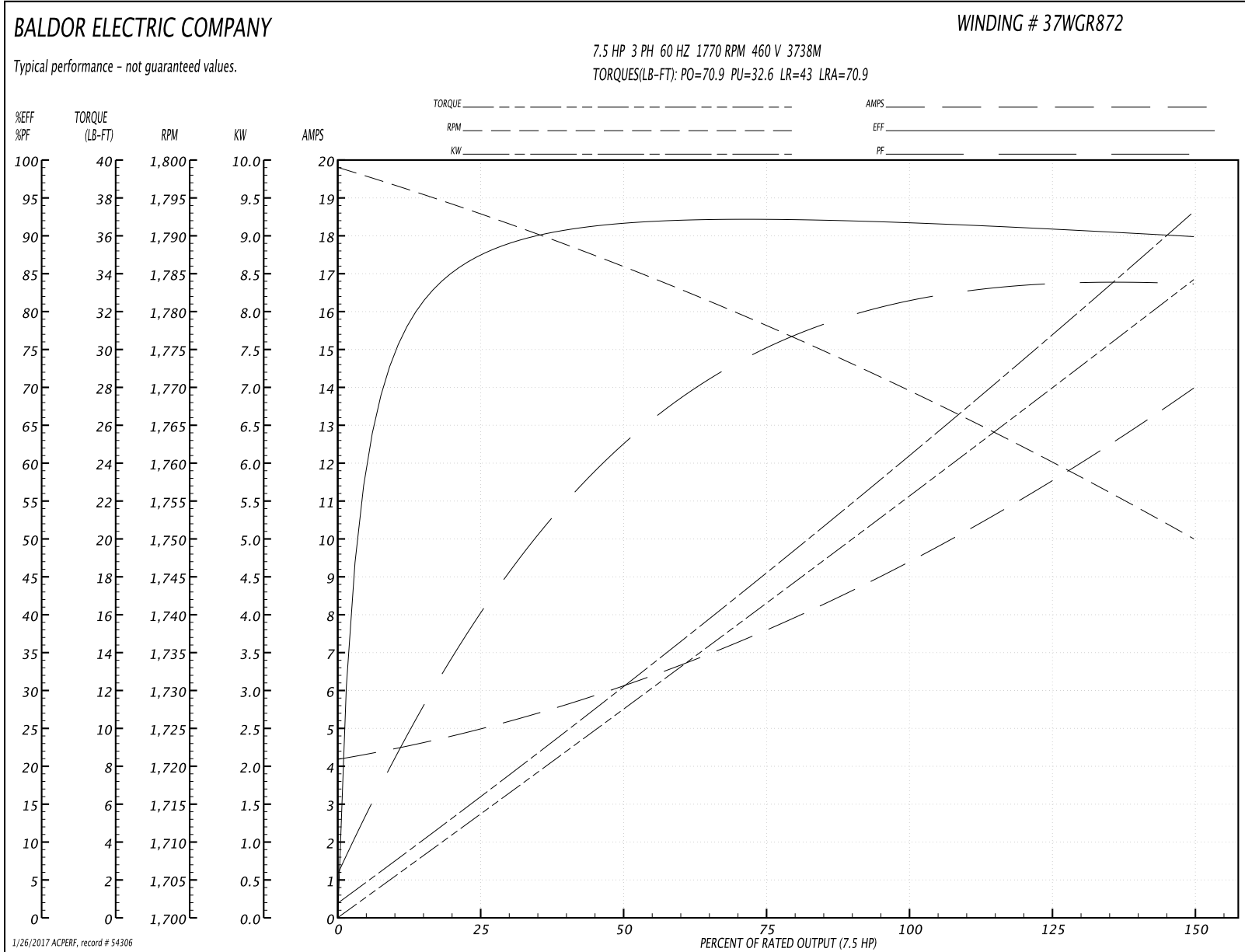
<b>Winding:</b> 37WGR872-R003	<b>Type:</b> 3738M	<b>Enclosure:</b> XPFC
-------------------------------	--------------------	------------------------

Nameplate Data				460 V, 60 Hz: High Voltage Connection	
Rated Output (HP)	7.5//5			Full Load Torque	22.2 LB-FT
Volts	230/460//190/380			Start Configuration	direct on line
Full Load Amps	19/9.5//16.2/8.1			Breakdown Torque	70.9 LB-FT
R.P.M.	1770//1475			Pull-up Torque	32.6 LB-FT
Hz	60//50	Phase	3	Locked-rotor Torque	43 LB-FT
NEMA Design Code	A	KVA Code	J	Starting Current	70.9 A
Service Factor (S.F.)	1			No-load Current	4.31 A
NEMA Nom. Eff.	91.7	Power Factor	80	Line-line Res. @ 25°C	1.41 Ω
Rating - Duty	40C AMB-CONT			Temp. Rise @ Rated Load	63°C
				Locked-rotor Power Factor	37.2
				Rotor inertia	0.934 LB-FT <sup>2</sup>

Load Characteristics 460 V, 60 Hz, 7.5 HP

% of Rated Load	25	50	75	100	125	150
Power Factor	42	64	75	80	83	84
Efficiency	87.1	91.6	92	92	91.1	89.8
Speed	1793	1786	1778	1770	1760	1750
Line amperes	4.83	6.02	7.6	9.5	11.6	13.9

Performance Graph at 460V, 60Hz, 7.5HP Typical performance - Not guaranteed values



1/26/2017 ACPERF, record # 54306

**AC Induction Motor Performance Data**

Record # 54307 - Typical performance - not guaranteed values

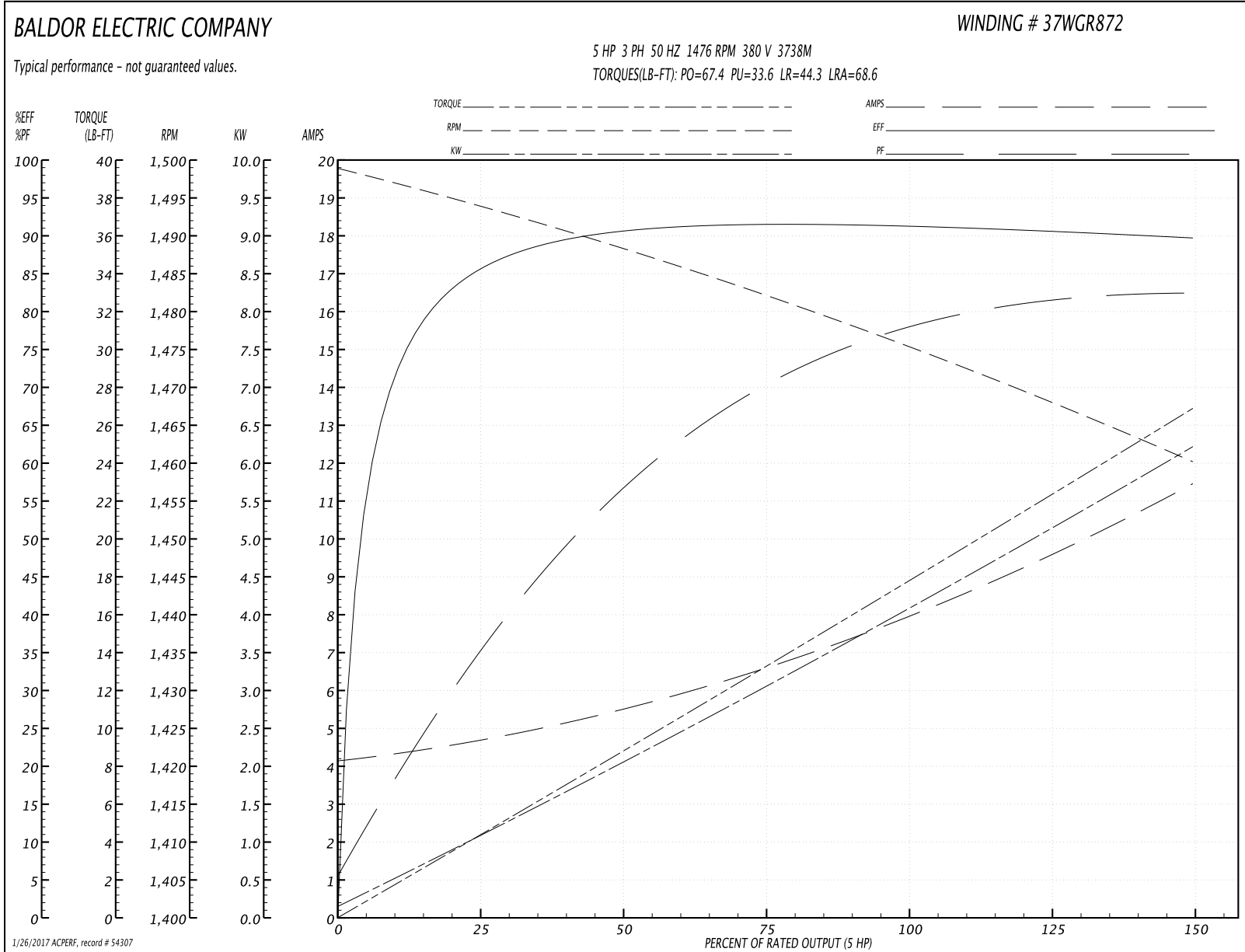
<b>Winding:</b> 37WGR872-R003	<b>Type:</b> 3738M	<b>Enclosure:</b> XPFC
-------------------------------	--------------------	------------------------

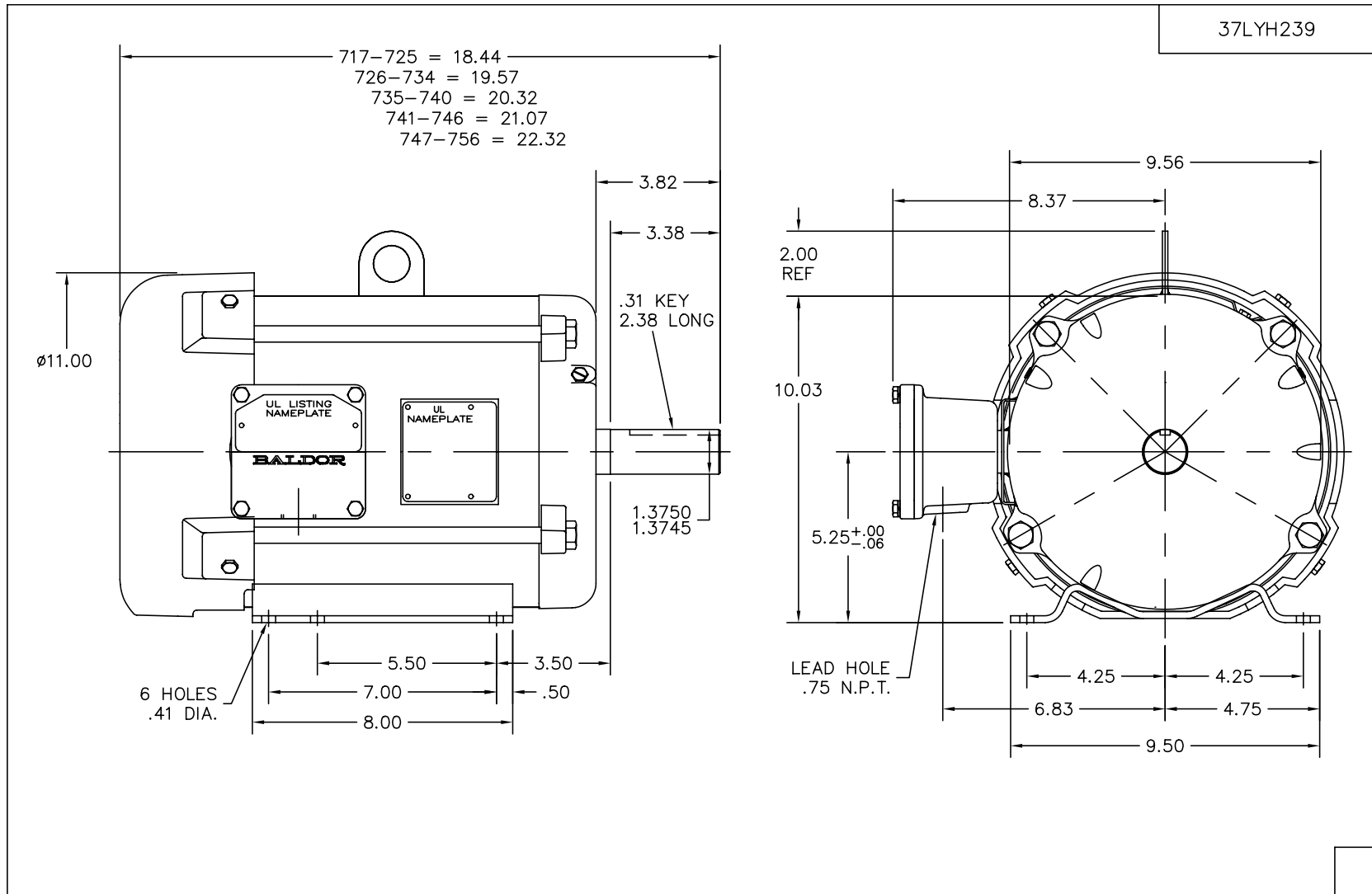
Nameplate Data				380 V, 50 Hz: High Voltage Connection	
Rated Output (HP)	7.5//5			Full Load Torque	17.7 LB-FT
Volts	230/460//190/380			Start Configuration	direct on line
Full Load Amps	19/9.5//16.2/8.1			Breakdown Torque	67.4 LB-FT
R.P.M.	1770//1475			Pull-up Torque	33.6 LB-FT
Hz	60//50	Phase	3	Locked-rotor Torque	44.3 LB-FT
NEMA Design Code	A	KVA Code	J	Starting Current	68.6 A
Service Factor (S.F.)	1			No-load Current	4.23 A
NEMA Nom. Eff.	91.7	Power Factor	80	Line-line Res. @ 25°C	1.41 Ω
Rating - Duty	40C AMB-CONT			Temp. Rise @ Rated Load	49°C
				Locked-rotor Power Factor	41.5
				Rotor inertia	0.934 LB-FT <sup>2</sup>

Load Characteristics 380 V, 50 Hz, 5 HP

% of Rated Load	25	50	75	100	125	150
Power Factor	36	58	70	77	81	83
Efficiency	85.3	90.6	91.4	91.3	90.9	89.6
Speed	1494	1488	1482	1476	1468	1460
Line amperes	4.58	5.44	6.59	8.03	9.64	11.4

Performance Graph at 380V, 50Hz, 5.0HP Typical performance - Not guaranteed values





37LYH239

CUST. NAME		CUST. P.O.		CERTIFIED BY		MODEL		INSUL		AMB	
H.P.		MTG		TYPE		R.P.M.		VOLTS		ENCL	
PHASE		FREQ		FRAME							
REV. DESC: NEW											
REV. LTR: -		BY: SLK		REVISED: 09/13/99 11:47		TDR: 0189039		<b>BALDOR ELECTRIC Co.</b>  HOR 213-5T XPFC M EPACK STACKS, DUAL CLASS			
6Ω2HΛ7Σ		FILE: AAA00068145		MDL: -							
MTL: -											

37LYH239

CD0005

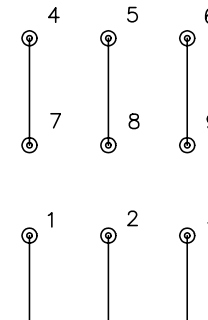


LOW VOLTAGE  
(2Y)



LINE

HIGH VOLTAGE  
(1Y)



LINE

NOTES:

1. INTERCHANGE ANY TWO LINE LEADS TO REVERSE ROTATION.
2. OPTIONAL THERMOSTATS ARE PROVIDED WHEN SPECIFIED.
3. ACTUAL NUMBER OF INTERNAL PARALLEL CIRCUITS MAY BE A MULTIPLE OF THOSE SHOWN ABOVE.
4. LEAD COLORS ARE OPTIONAL. LEADS MUST ALWAYS BE NUMBERED AS SHOWN.

REV. DESC: REVISE TO SHOW OPTIONAL COLORS			
REV. LTR: E	BY: JLP	REVISED: 01/19/99 10:15	TDR: 0171435
900000		FILE: AAA00005140	MDL: -
		MTL: -	

**BALDOR ELECTRIC Co.**

3PH, DV, 9 LEADS

CD0005