

BALDOR® • **RELIANCE**

Product Information Packet

EM7067T

30//40HP,2950//3530RPM,3PH,50//60HZ,324T

Part Detail							
Revision:	N	Status:	PRD/A	Change #:		Proprietary:	No
Type:	AC	Prod. Type:	1240M	Elec. Spec:	12WGY292	CD Diagram:	CD0180
Enclosure:	XPFC	Mfg Plant:		Mech. Spec:	12M049	Layout:	12LYM049
Frame:	324TS	Mounting:	F1	Poles:	02	Created Date:	06-28-2010
Base:	RG	Rotation:	R	Insulation:	B	Eff. Date:	08-29-2016
Leads:	9#8					Replaced By:	
Literature:		Elec. Diagram:					

Nameplate NP1426XPSLEV	
NO.	<input type="text"/> CC 010A
SER.	<input type="text"/>
SPEC.	12M049Y292G1
CAT.NO.	EM7067T
HP	40//30 T. CODE T3C
VOLTS	230/460//190/380
AMPS	92/46//84/42
RPM	3530//2940
HZ	60//50 PH 3 CL B
SER.F.	1.00 DES A CODE H
RATING	40C AMB-CONT
FRAME	324TS NEMA-NOM-EFF 92.4
USABLE AT 208V	PF 88
BLANK	<input type="text"/>

Parts List		
Part Number	Description	Quantity
SA198986	SA 12M049Y292G1	1.000 EA
RA186337	RA 12M049Y292G1	1.000 EA
09FN3001D03	EXTERNAL FAN, PLASTIC	1.000 EA
12CB1001A01	K.O.BOX, MACH X-PROOF, 1.50 NPT HOLE	1.000 EA
10XN3118K16	5/16-18 X 1' GRADE #5, STL, ZINC PLATE	4.000 EA
HW1001A31	LOCKWASHER 5/16, ZINC PLT.591 OD, .319 I	4.000 EA
WD1000B16	T&B CX70TN TERMINAL	1.000 EA
10XN2520K06	1/4-20 X 3/8" HX HD SCREWGRADE 5, ZINC P	1.000 EA
HW1001A25	LOCKWASHER 1/4, ZINC PLT .493 OD, .255 I	1.000 EA
12EP1705A01	ENDPLATE, MACH. 312 - EXPLOSION PROOF 31	1.000 EA
HA3051A03	1/2-13X2.75 BLT GR8 1.75 TO E NC F/S	4.000 EA
HW1001A50	LOCKWASHER 1/2, ZINC PLT.,879 OD, .509 I	4.000 EA
HW5100A13	W4627-047 WVY WSHER	1.000 EA
12EP1706A01	ENDPLATE, MACH. 312 - EXPLOSION PROOF 31	1.000 EA
10XN3118K44	5/16-18 X 2.75" HEX HD, GRADE 5	4.000 EA
HW1001A31	LOCKWASHER 5/16, ZINC PLT.591 OD, .319 I	4.000 EA
HA3051A03	1/2-13X2.75 BLT GR8 1.75 TO E NC F/S	4.000 EA
HW1001A50	LOCKWASHER 1/2, ZINC PLT.,879 OD, .509 I	4.000 EA
12FH1001A01	FAN HOUSING 312 EXPLOSION PROOF MOTORS	1.000 EA
10XN3118K12	5/16-18 X .75 GRADE 5, ZINC PLATED	3.000 EA
HW1001A31	LOCKWASHER 5/16, ZINC PLT.591 OD, .319 I	3.000 EA
12CB1501A01	COND.BOX LID, MACH., X-PROOF, 310,312	1.000 EA
10XN3816K20	3/8-16 X 1.25 HEX HD CAP GRADE 5	6.000 EA
HW1001A38	LOCKWASHER 3/8, ZINC PLT .688 OD, .382 I	6.000 EA

Parts List (continued)		
Part Number	Description	Quantity
HW2501H18	KEY, 1/2 SQ X 2.000	1.000 EA
LB1115N	LABEL,LIFTING DEVICE (ON ROLLS)	1.000 EA
HW4500A20	1/8NPT SL PIPE PLUG	2.000 EA
MJ1000A02	GREASE, POLYREX EM EXXON (USe 4824-15A)	0.200 LB
HW4500A20	1/8NPT SL PIPE PLUG	2.000 EA
HW2500A25	WOODRUFF KEY USA #1008 #BLOW CARBON STEE	1.000 EA
51XB1214A20	12-14X1.25 HXWSSLD SERTYB	1.000 EA
MG1025G05	WILKOFASST, 789.227, MED. GRAY CHAR. MET.	0.125 GA
85XU0407S04	4X1/4 U DRIVE PIN STAINLESS	6.000 EA
LB1073	ALUM XP CAUTION LABEL	1.000 EA
MN416A01	TAG-INSTAL-MAINT no wire (1000/bx) 11/14	1.000 EA
LB1119N	WARNING LABEL	1.000 EA
LC0181	CONNECTION LABEL	1.000 EA
NP1426XPSLEV	SS XP UL CSA-EEV CC CL-I GP-D	1.000 EA
14PA1036	PKGP 360 FRAME NO CARTON	1.000 EA

AC Induction Motor Performance Data

Record # 31685 - Typical performance - not guaranteed values

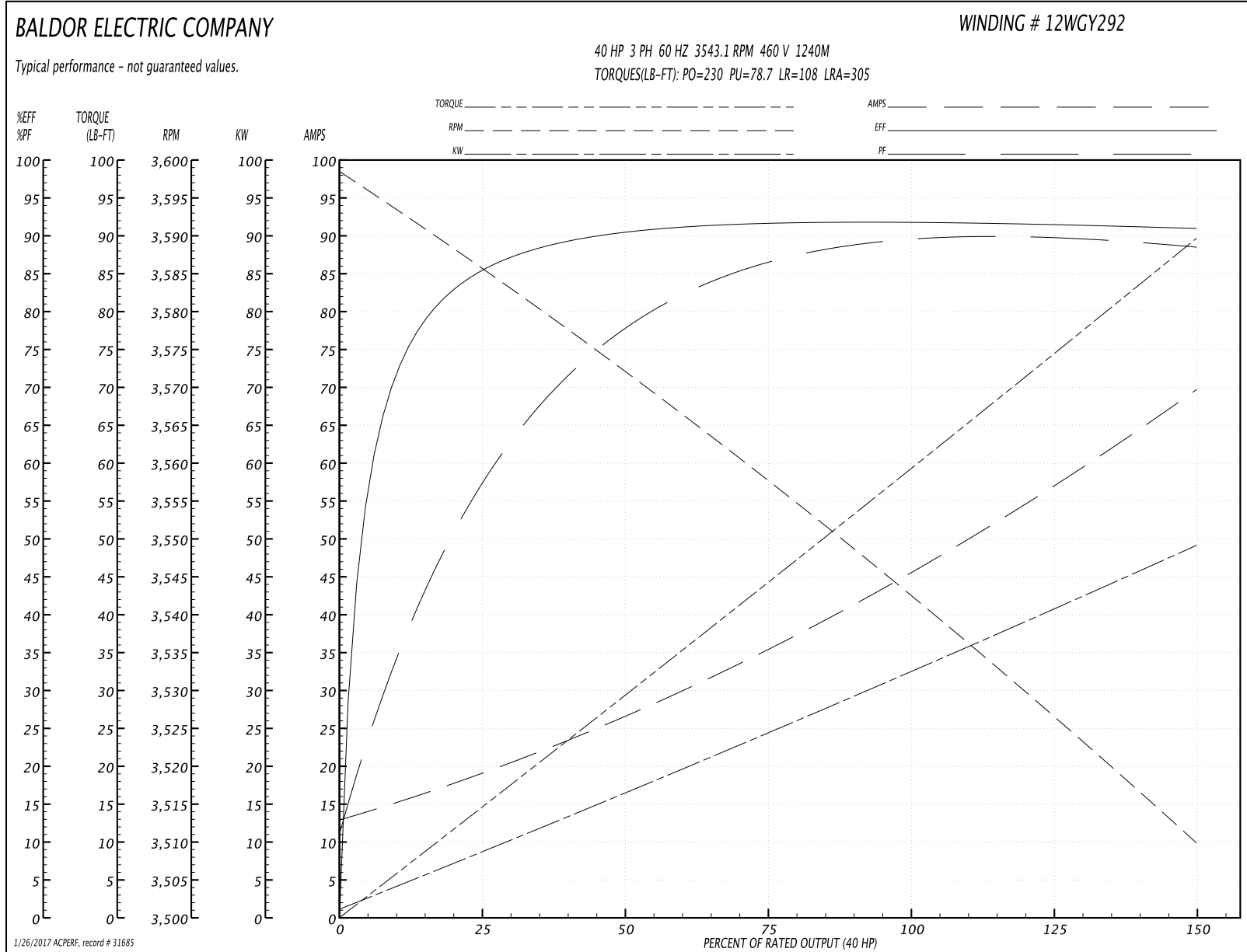
Winding: 12WGY292-R002	Type: 1240M	Enclosure: XPFC
-------------------------------	--------------------	------------------------

Nameplate Data				460 V, 60 Hz: High Voltage Connection	
Rated Output (HP)	30//40			Full Load Torque	59.2 LB-FT
Volts	190/380//230/460			Start Configuration	direct on line
Full Load Amps	86/43//92/46			Breakdown Torque	230 LB-FT
R.P.M.	2950//3530			Pull-up Torque	78.7 LB-FT
Hz	50//60	Phase	3	Locked-rotor Torque	108 LB-FT
NEMA Design Code	B	KVA Code	G	Starting Current	305 A
Service Factor (S.F.)	1			No-load Current	13.7 A
NEMA Nom. Eff.	92.4	Power Factor	88	Line-line Res. @ 25°C	0.15743 Ω
Rating - Duty	40C AMB-CONT			Temp. Rise @ Rated Load	65°C
				Locked-rotor Power Factor	22
				Rotor inertia	3.13 LB-FT ²

Load Characteristics 460 V, 60 Hz, 40 HP

% of Rated Load	25	50	75	100	125	150
Power Factor	61	79	86	88	89	89
Efficiency	87.1	91.6	92.6	92.6	92.1	91.3
Speed	3585.4	3571.9	3557.9	3543.1	3526.6	3509.7
Line amperes	18	26.1	35.6	46	57.4	69.2

Performance Graph at 460V, 60Hz, 40.0HP Typical performance - Not guaranteed values



AC Induction Motor Performance Data

Record # 31686 - Typical performance - not guaranteed values

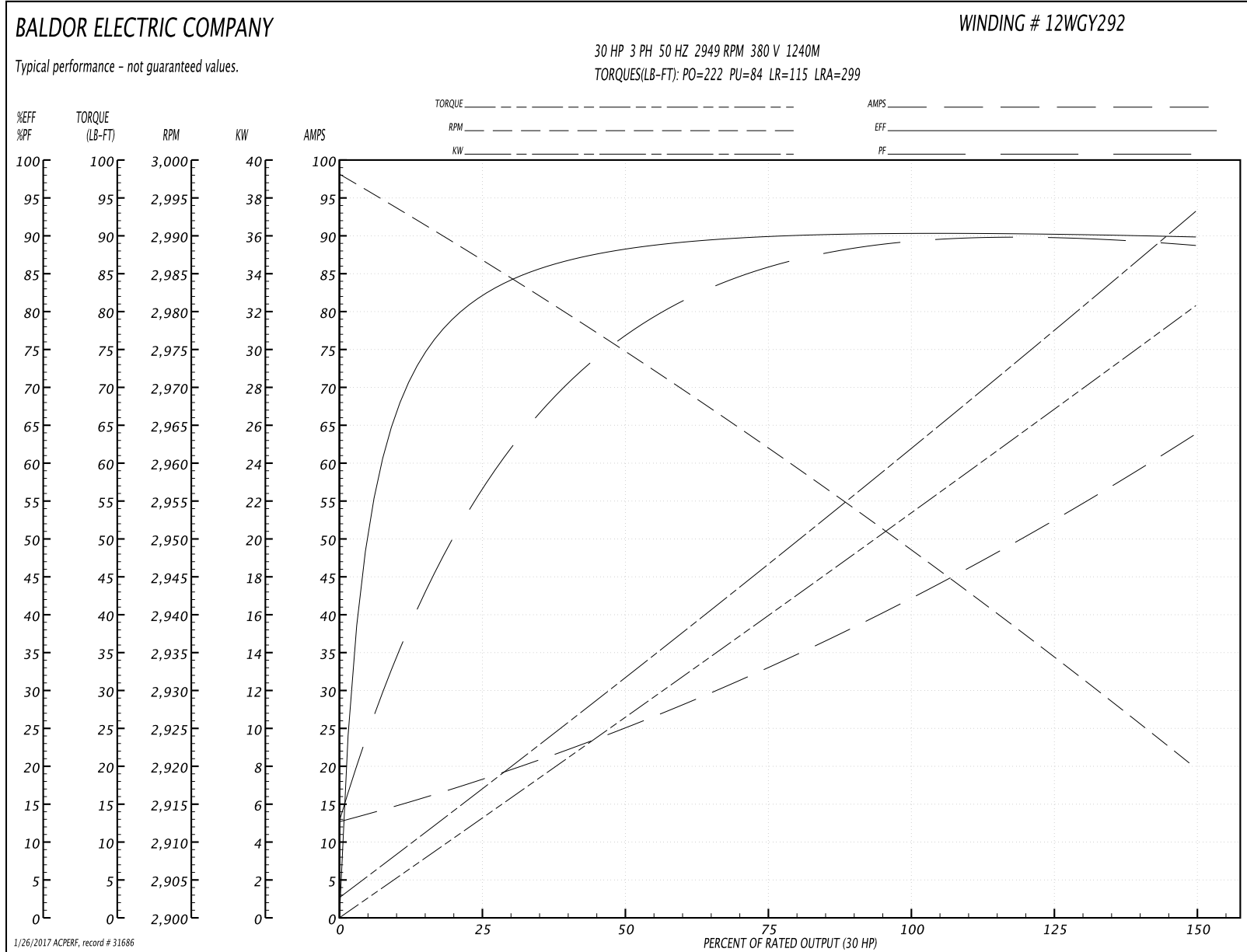
Winding: 12WGY292-R002	Type: 1240M	Enclosure: XPFC
-------------------------------	--------------------	------------------------

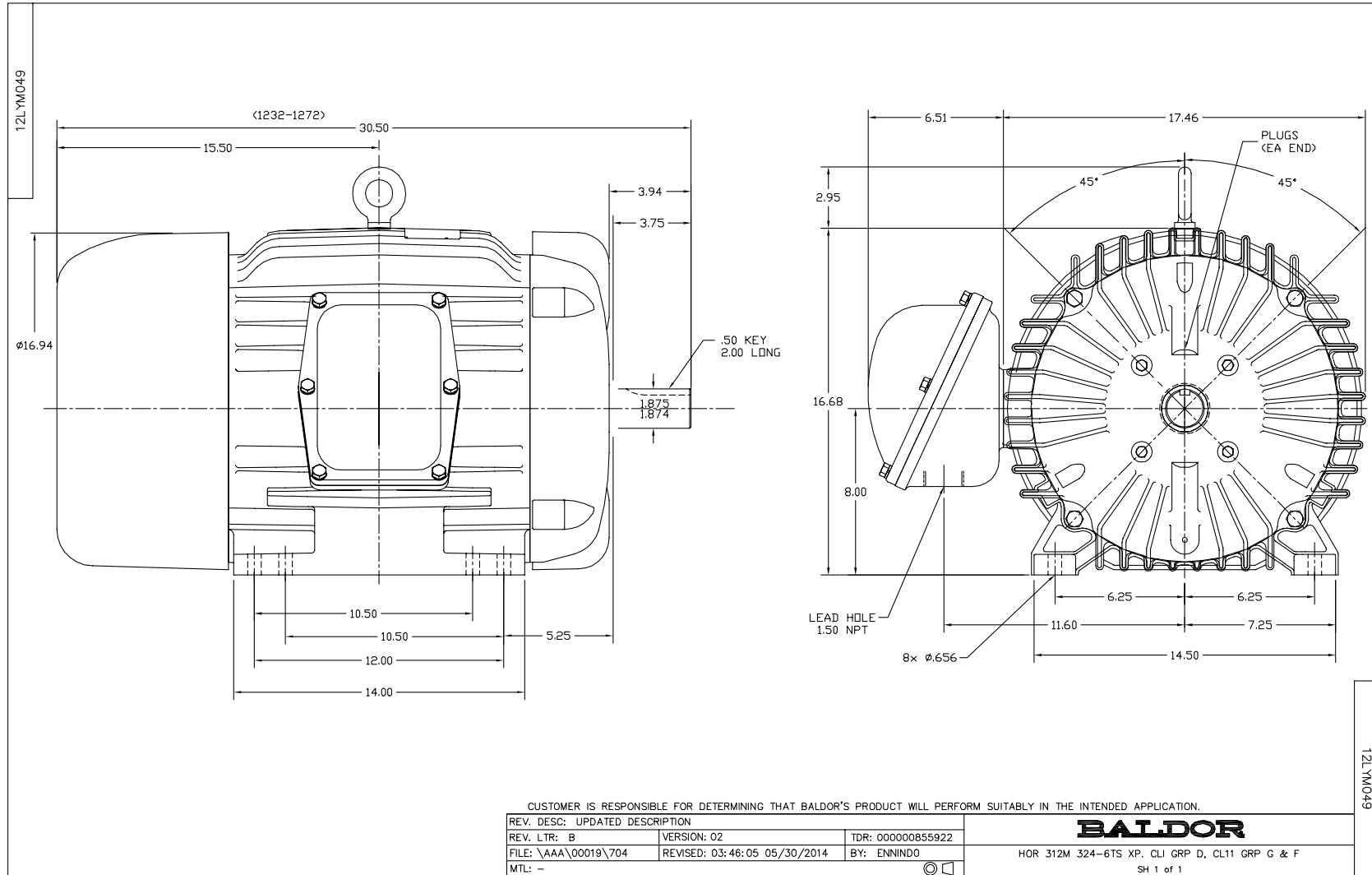
Nameplate Data				380 V, 50 Hz: High Voltage Connection	
Rated Output (HP)	30//40			Full Load Torque	53.3 LB-FT
Volts	190/380//230/460			Start Configuration	direct on line
Full Load Amps	86/43//92/46			Breakdown Torque	222 LB-FT
R.P.M.	2950//3530			Pull-up Torque	84 LB-FT
Hz	50//60	Phase	3	Locked-rotor Torque	115 LB-FT
NEMA Design Code	B	KVA Code	G	Starting Current	299 A
Service Factor (S.F.)	1			No-load Current	13.4 A
NEMA Nom. Eff.	92.4	Power Factor	88	Line-line Res. @ 25°C	0.145 Ω
Rating - Duty	40C AMB-CONT			Temp. Rise @ Rated Load	57°C
S.F. Amps				Temp. Rise @ S.F. Load	69°C
				Locked-rotor Power Factor	24
				Rotor inertia	3.13 LB-FT ²

Load Characteristics 380 V, 50 Hz, 30 HP

% of Rated Load	25	50	75	100	125	150
Power Factor	61	78	85	88	89	90
Efficiency	80.4	88.1	89.8	90.7	90.3	89.7
Speed	2987	2975	2962	2949	2934	2920
Line amperes	17.3	24.6	33.2	42.5	52.8	63.4

Performance Graph at 380V, 50Hz, 30.0HP Typical performance - Not guaranteed values

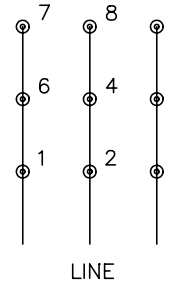




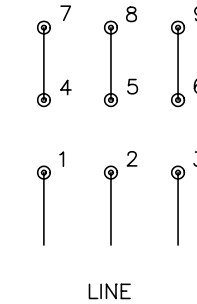
CD0180



LOW VOLTAGE
(2D)



HIGH VOLTAGE
(1D)



NOTES:

1. INTERCHANGE ANY TWO LINE LEADS TO REVERSE ROTATION.
2. OPTIONAL THERMOSTATS ARE PROVIDED WHEN SPECIFIED.
3. ACTUAL NUMBER OF INTERNAL PARALLEL CIRCUITS MAY BE A MULTIPLE OF THOSE SHOWN ABOVE.
4. LEAD COLORS ARE OPTIONAL. LEADS MUST ALWAYS BE NUMBERED AS SHOWN.

REV. DESC: REVISE TO SHOW OPTIONAL COLORS			
REV. LTR: C	BY: JLP	REVISED: 01/21/99 2:28	TDR: 0171435
0810D0		FILE: AAA00005148	MDL: -
		MTL: -	

BALDOR ELECTRIC Co.

3PH, DV, 9 LEADS, DELTA CONNECTION

CD0180