

# **BALDOR**® • ***RELIANCE***

## **Product Information Packet**

# **IDBRPM362504R1**

**250HP, 1785/3565RPM, 460V, 3PH, TEBC, FL3614**

Part Detail							
Revision:	-	Status:	PRD/A	Change #:		Proprietary:	No
Type:	AC	Prod. Type:		Elec. Spec:	L5924A	CD Diagram:	422927-001
Enclosure:	TEBC	Mfg Plant:		Mech. Spec:		Layout:	619682-001
Frame:	FL3614	Mounting:	F3	Poles:	04	Created Date:	04-09-2015
Base:		Rotation:	R	Insulation:	H	Eff. Date:	04-13-2015
Leads:						Replaced By:	
Literature:		Elec. Diagram:					

		DUTY	HP	RPM	AMPS	VOLTS	HZ			
	CONT		250	1785	286	460	60			
	CONT		250	3565	279	460	120			
CAT.NO.	IDBRPM362504R1			SPEC. NO.		P36T1320				
SER.NO.				FR	FL 3614	INSUL	H			
PH.	3		MAX SAFE SPEED	3750		AMB.	40			
DESIGN NO.	L5924A			TYPE			ENCL.	TEAO-BC		
S.F.	1.00			D.E. BRG.	95BC02J30X					
ENCL MOD				O.D.E. BRG.	80BC03J30X					
									MIN. AMB.	-25

Parts List		
Part Number	Description	Quantity
WS286629	WS P36T1320	1.000 EA
RA282837	RA P36T1320	1.000 EA
000613006MY	NP-RPMAC INVERTER DUTY	1.000 EA
000692000FP	NP, WARNING LIFT INSTRUCTIONS	1.000 EA
000692000NH	LABEL DIRECTION AIR FL	1.000 EA
000692000VD	LABEL WARNING	1.000 EA
418018122A	LABEL	2.000 EA
418057747A	METAL FASTENER	8.000 EA
422927001	C/D LABEL	1.000 EA
004824015A	GREASE POLYREX EM	0.900 LB
034690002AL	1/4 SQ.HD.PIPE PLUG	1.000 EA
034690002AL	1/4 SQ.HD.PIPE PLUG	1.000 EA
035000001A	ALFTG 1/8" 1610-BL	1.000 EA
035000001A	ALFTG 1/8" 1610-BL	1.000 EA
036100090KA	HSHCS SHAFT BLOCK	4.000 EA
036100100KA	HSHCS BRACKET LE	4.000 EA
036140001E	EYEBOLT	2.000 EA
036500013AB	HX NUT,ODE BRKT	4.000 EA
036500013AB	HX NUT,ODE BRKT	4.000 EA
418150003A	GREASE FITTING CAP	2.000 EA
419912001B	W WASHER	1.000 EA
602018077A	DRAIN	1.000 EA
602018077A	DRAIN	1.000 EA
609830005AAL	STUD FILTER METRIC M16	2.000 EA

Parts List (continued)		
Part Number	Description	Quantity
609830005ACM	TBOLT	2.000 EA
807585003AAA	BRKT,BE/DE,FL360,	1.000 EA
807585004AAB	BRKT,FE/ODE,FL360,	1.000 EA
000613006NT	NAME PLATE IEC	1.000 EA
032018006CK	HHCS 3/8-16X3/4L PLATED	4.000 EA
034017014AB	LCKW 3/8 STD. PLATED	4.000 EA
036000012JB	M8-1.25 X 12MM HXHDC	3.000 EA
036000012KB	M10 1.50 X 12MM HXHDCS	4.000 EA
036000016HD	HXHCS	8.000 EA
036000016JB	HHCS M8-1.25X16MMPLTD-250	4.000 EA
036000016KB	HHCSM10-1.5X16MM PLTD-280	8.000 EA
036000020JD	HHCS M8X20MM LONG 304S.S	5.000 EA
036000025KB	HHCS,BRACE C/BOX	8.000 EA
036000025LB	HHCS M12-1.75X25 PLATED	4.000 EA
036000045JB	M8-1.25 X 45MM HXHCS	4.000 EA
036150035RD	HSOSS 35MM M24 SS	2.000 EA
036600008AD	FLTWSHR,T BLK SPT	8.000 EA
036620010AB	M10 EXT. TOOTH LK WASHER	1.000 EA
417733036C	GASKT,C/BOX BACKPLATE,REF 706310063B	1.000 EA
406673002C	.75 CAP PLUG	1.000 EA
410978010E	INLET FLGE	1.000 EA
410978019A	SCREEN, INLET FLANGE	1.000 EA
417733004J	GASKT	2.000 EA
417733013B	GASKT (REK P/N 189486)	1.000 EA

Product Information Packet: IDBRPM362504R1 - 250HP,1785/3565RPM,460V,3PH,TEBC,FL3614

417733014C	GASKT (REK P/N 187215)	1.000 EA
418014004A	ADAPT 418014-4WCA	1.000 EA
418018074A	GROUND LABEL G100 METRIC 160 D.C.	1.000 EA
418057256C	HHCS M10 25MM 440 IEC	1.000 EA
610490001DG	2HP,3450//2890RPM,3PH,60//50HZ,56C,3532M	1.000 EA
611917002F	GASKT	1.000 EA
611965001A	WHEEL, BLOWER	1.000 EA
613439050A	ADAPT,C/BOX,FL360	1.000 EA
706310058B	CBCVR(REK P/N 187296)	1.000 EA
706310059C	ADAPT	1.000 EA
706310063B	CBOX (REK)	1.000 EA
708528004B	BLOWER HOUSING	1.000 EA
804815053A	COVER,FAN,FL360	1.000 EA
804815055A	PLATE,BLWR,FL360	1.000 EA
804816051A	CVR,FAN,BRACE,FL400	4.000 EA
804816054A	GUARD,BLWR,FL400	2.000 EA
000640000P	TAG WINDING THERMOST	1.000 EA
004824007K	SPECIAL PAINT	0.300 EA
034180034JA	3/4X3/4 X 41/4 L KEY	1.000 EA

REL S.O.	-	VOLTS	460	ENCLOSURE	TEBC	WYE	CONN EQ	CKT OHMS	PER PHASE	
FRAME	FL3614	AMPS	286	MAX SAFE RPM	3750	(AT BASE RATING, 25 °C)				
HP	250	DUTY	CONT	IM (AMPS)	101	R1	.00789	X1	.0686	
BASE SPEED	1785	S.F.	1.0	P.F. @NL/FL	.036/	.869	R2	.00624	X2	.0955
PHASE/HERTZ	3/60	AMB °C/INSUL	40/H	WK <sup>2</sup> (lb-ft <sup>2</sup> )	45			XM	2.53	


**RATED FULL LOAD DATA**

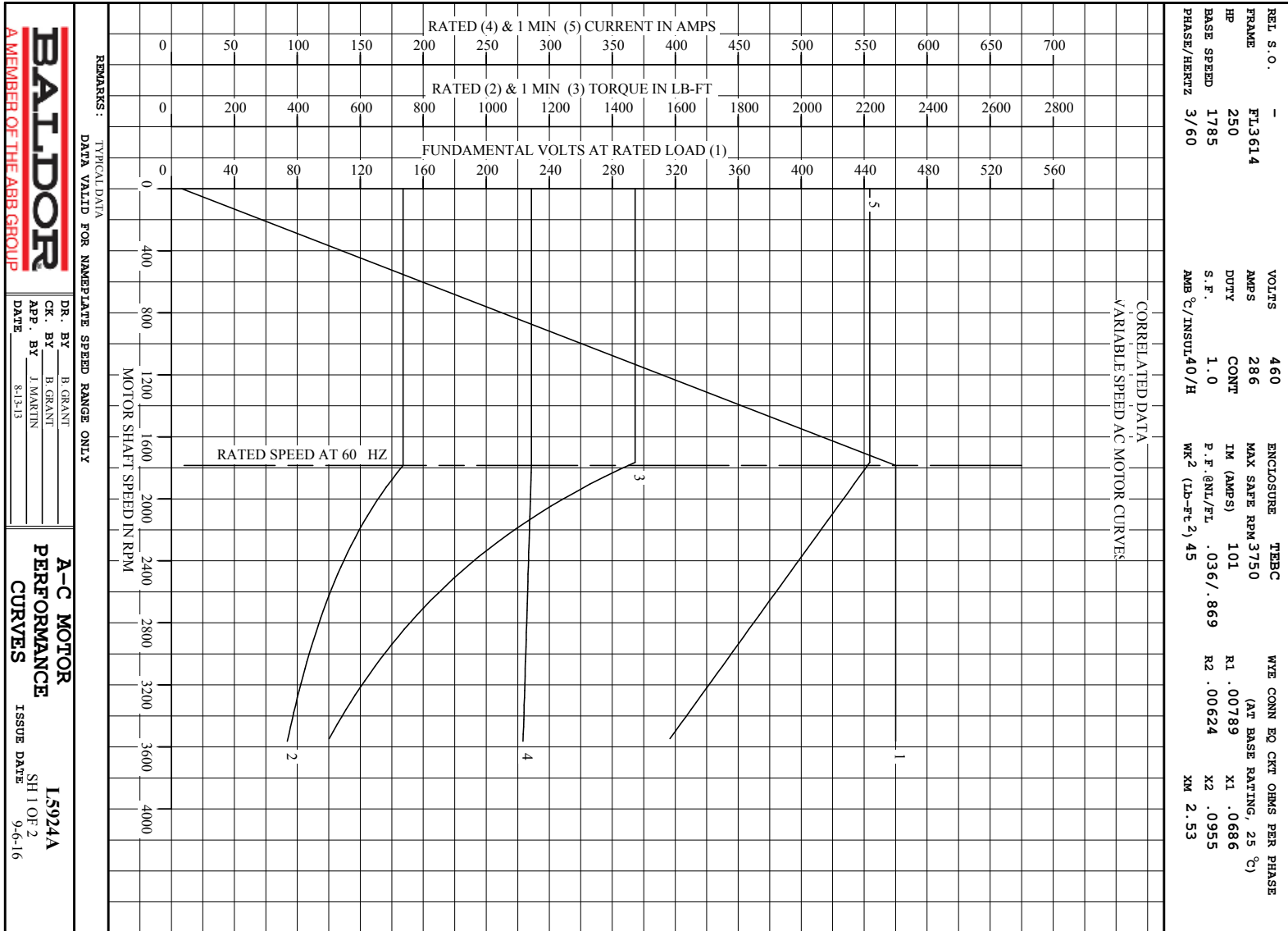
	RPM	HP	TORQUE LB-FT	FUND VOLTS	FREQ-HZ	AMPS
BASE SPEED	1784	250	736	460	60	286
MAX SPEED	3564	250	369	460	120	279
MIN SPEED	0	0	736	460	6.63	286

**LOAD PERFORMANCE AT BASE SPEED**

	RPM	HP	TORQUE LB-FT	FUND VOLTS	FREQ-HZ	AMPS
NO LOAD	1800	0	0	460	60	101
1/4	1796	62.6	183	460	60	125
1/2	1792	125	367	460	60	169
3/4	1788	187	551	460	60	225
FULL LOAD	1784	250	736	460	60	286
O/L	1765	495	1472	460	60	554

REMARKS: TYPICAL DATA  
CORRELATED DATA

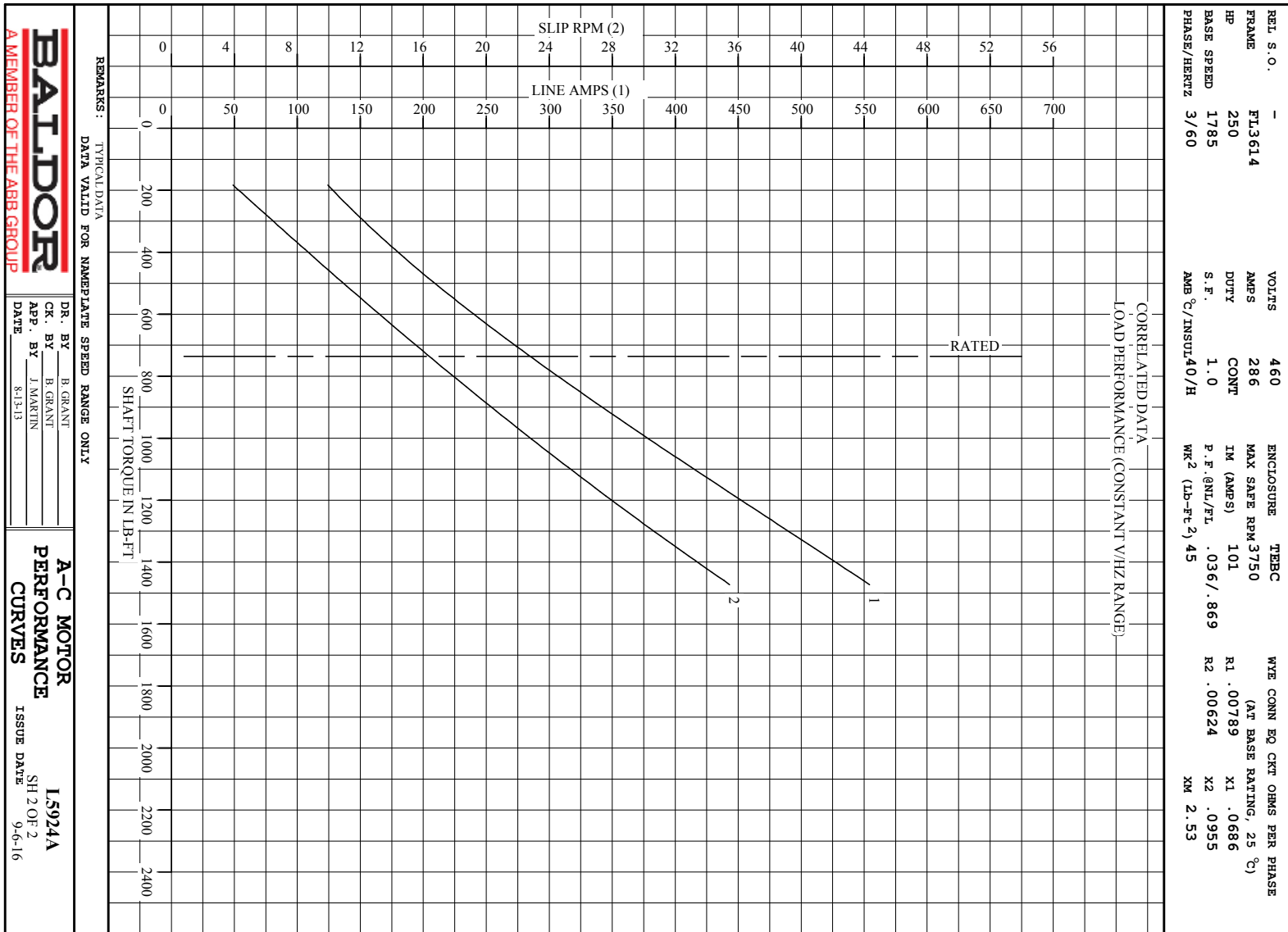
 <p><b>A MEMBER OF THE ABB GROUP</b></p>	DR. BY	B. GRANT	<p><b>A-C MOTOR</b> <b>PERFORMANCE</b> <b>DATA</b></p> <p>ISSUE DATE 9-6-16</p>
	CR. BY	B. GRANT	
	APP. BY	J. MARTIN	
	DATE	8-13-13	



**BALDOR**  
A MEMBER OF THE ABB GROUP

DR. BY B. GRANT  
CR. BY H. GRANT  
APP. BY J. MARTIN  
DATE 8-13-13

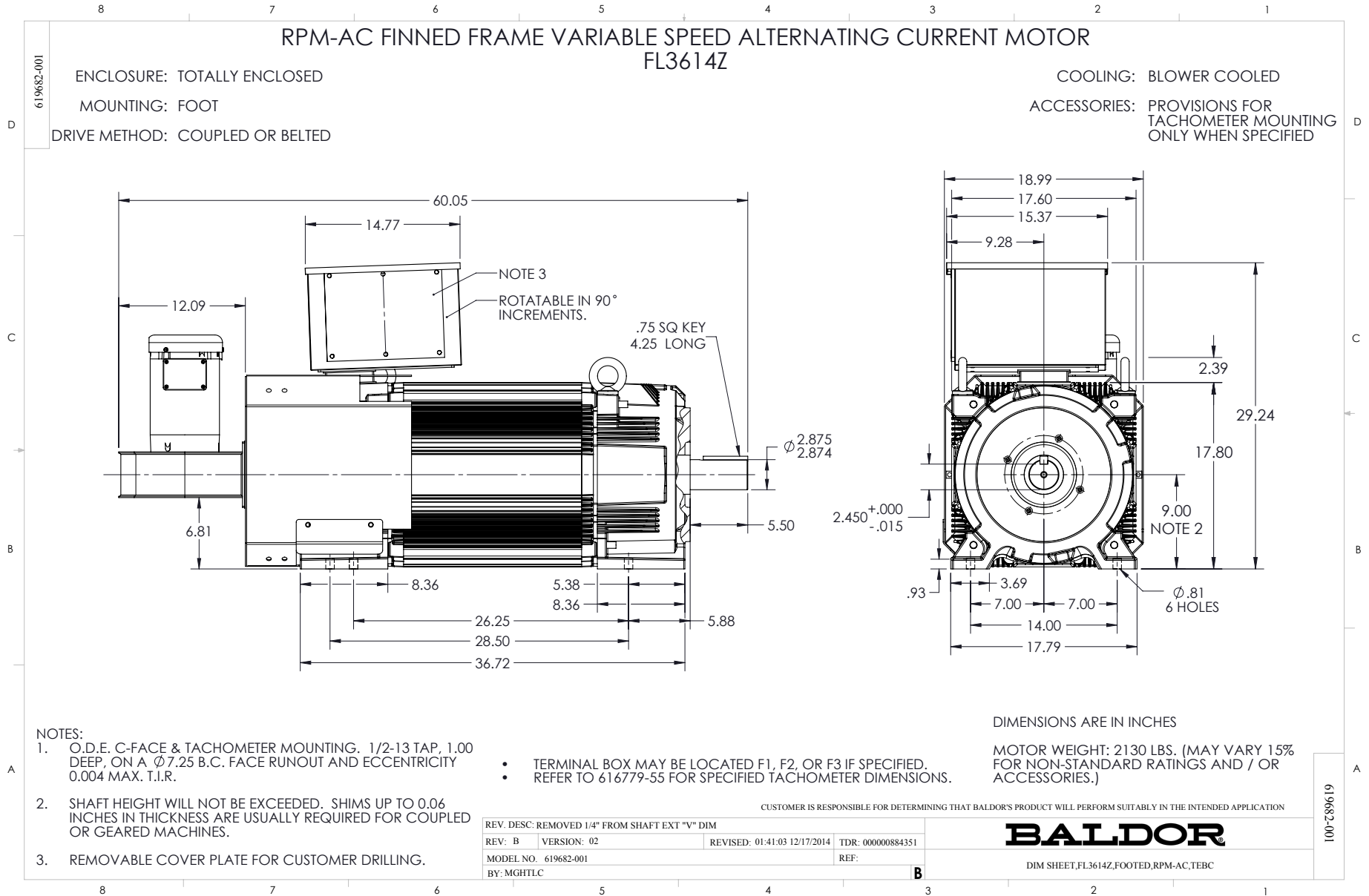
**A-C MOTOR**  
**PERFORMANCE**  
**CURVES**  
ISSUE DATE 9-6-16  
15924A  
SH 1 OF 2



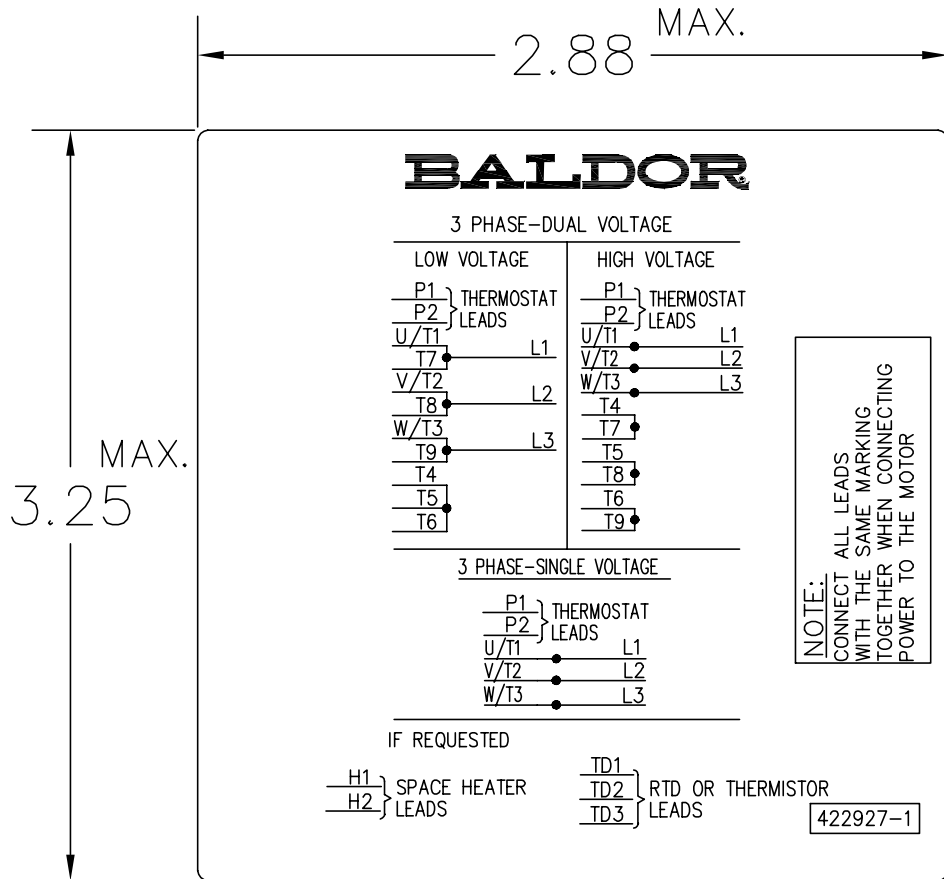
**BALDOR**  
A MEMBER OF THE ABB GROUP

DR. BY B. GRANT  
CR. BY H. GRANT  
APP. BY J. MARTIN  
DATE 8-13-13

**A-C MOTOR**  
**PERFORMANCE**  
**CURVES**  
ISSUE DATE SH 2 OF 2  
15924A 9-6-16



422927-001



NOTE:  
DATA TO BE SIZED  
SO THAT IT FITS INTO  
MATERIAL DECAL  
DIMENSIONS. MAKE  
LETTERS & NUMBERS  
AS LARGE AS POSSIBLE.

MATERIAL: CERAMATIC DGF-P4  
PERMA GRIP ADHESIVE

ALL LETTERS, NUMBERS  
AND LINES TO BE BLACK  
ON WHITE BACKGROUND.

422927-001

REV. DESC: CHANGE BACKGROUND COLOR FROM GOLD TO WHITE		
REV. LTR: B	VERSION: 02	TDR: 000000788708
FILE: \RGG\00000\203	REVISED: 08:09:29 03/04/2013	
MTL: -	BY: RGGWT	

**BALDOR**

EXTERNAL CONNECTION LABEL

SH 1 of 1

Marketing maintained PDF of MN406:

<http://www.baldor.com/support/Literature/Load.ashx/MN406?ManNumber=MN406>