

# **BALDOR**® • *RELIANCE*

## **Product Information Packet**

# **IDBRPM444004**

**400.00HP,1,750,3,FL4429Z,TEAO-BC,FOOT**

Part Detail							
Revision:	A	Status:	PRD/A	Change #:		Proprietary:	No
Type:	AC	Prod. Type:		Elec. Spec:	L4344A	CD Diagram:	422927-001
Enclosure:	TEBC	Mfg Plant:		Mech. Spec:		Layout:	617566-001
Frame:	FL4440Z	Mounting:	F3	Poles:	06	Created Date:	04-09-2015
Base:		Rotation:	R	Insulation:	H	Eff. Date:	05-06-2015
Leads:						Replaced By:	
Literature:		Elec. Diagram:					

Nameplate 000613006MY										
	<b>DUTY</b>	<b>HP</b>	<b>RPM</b>	<b>AMPS</b>	<b>VOLTS</b>	<b>HZ</b>				
	CONT	400	1790	479	460	90				
	CONT	400	2500	474	460	125.8				
<b>CAT.NO.</b>	IDBRPM444004			<b>SPEC. NO.</b>	B515359					
<b>SER.NO.</b>				<b>FR</b>	FL 4440Z	<b>INSUL</b>	H			
<b>PH.</b>	3		<b>MAX SAFE SPEED</b>	2800		<b>AMB.</b>	40		<b>MIN. AMB.</b>	-25
<b>DESIGN NO.</b>	L4344A			<b>TYPE</b>		<b>ENCL.</b>	TEAO-BC			
<b>S.F.</b>	1.0			<b>D.E. BRG.</b>	100BC02J30X					
<b>ENCL MOD</b>				<b>O.D.E. BRG.</b>	6222/C3VL0241					

Parts List		
Part Number	Description	Quantity
WS287846	WS B515359	1.000 EA
RA284091	RA B515359	1.000 EA
000613006MY	NP-RPMAC INVERTER DUTY	1.000 EA
000692000EF	CAUTION LABEL	1.000 EA
000692000FP	NP, WARNING LIFT INSTRUCTIONS	1.000 EA
000692000NH	LABEL DIRECTION AIR FL	1.000 EA
000692000VD	LABEL WARNING	1.000 EA
418057249A	LABEL (WARNING)	1.000 EA
418057747A	METAL FASTENER	8.000 EA
422927001	C/D LABEL	1.000 EA
004824007AB	PAINT,XT	0.100 EA
004824015A	GREASE POLYREX EM	1.100 LB
034693003AB	PPLG 3/8" SLOT PIPE PLUG	1.000 EA
034693003AB	PPLG 3/8" SLOT PIPE PLUG	1.000 EA
035000001A	ALFTG 1/8" 1610-BL	1.000 EA
035000001BB	GREASE FTG,GRS.IN	1.000 EA
036000080KB	HHCSM10-1.5X80MMPLTD-360	4.000 EA
036000080KB	HHCSM10-1.5X80MMPLTD-360	4.000 EA
036140001F	M30-3.5 X 45MM EYEBOLT	2.000 EA
036210130PC	STUD	4.000 EA
036210130PC	STUD	4.000 EA
036500014AB	M-20 METRIC HEX NUT	4.000 EA
036500014AB	M-20 METRIC HEX NUT	4.000 EA
418150003A	GREASE FITTING CAP	2.000 EA

Parts List (continued)		
Part Number	Description	Quantity
424433001A	WAVY SPRING WSHER	1.000 EA
602018077A	DRAIN	1.000 EA
602018077A	DRAIN	1.000 EA
807587003AAA	BRKT,DE,FL440	1.000 EA
807587004AAB	BRKT,ODE,FL440	1.000 EA
032018008CK	HHCS 3/8-16X1L PLATED	4.000 EA
034530024AB	PNIP L 1/8X3L PLATED	1.000 EA
034630001AJ	1/8" PIPE COUPLING	1.000 EA
036000012KB	M10 1.50 X 12MM HXHDCS	4.000 EA
036000016HD	HXHCS	8.000 EA
036000016KB	HHCSM10-1.5X16MM PLTD-280	2.000 EA
036000020HB	HHCS M6-1.0X20MM PLATED	2.000 EA
036000020JD	HHCS M8X20MM LONG 304S.S	5.000 EA
036000025KB	HHCS,BRACE C/BOX	2.000 EA
036000025KB	HHCS,BRACE C/BOX	4.000 EA
036000025KB	HHCS,BRACE C/BOX	8.000 EA
036000070LB	MHHCS M12-1.75X70M -360	4.000 EA
036500008AB	METRIC H.NUT M6-1.0 PLTD	2.000 EA
036600008AB	MFWSH M6 PLATED	4.000 EA
036600008AD	FLTWSHR,T BLK SPT	8.000 EA
036610010AB	MHSLW M10 PLATED	4.000 EA
036620010AB	M10 EXT. TOOTH LK WASHER	1.000 EA
036620010AB	M10 EXT. TOOTH LK WASHER	2.000 EA
049730000H	PLUG 1.25"	1.000 EA

Product Information Packet: IDBRPM444004 - 400.00HP,1,750,3,FL4429Z,TEAO-BC,FOOT

049730000H	PLUG 1.25"	1.000 EA
417733036B	GASKT,C/BOX BACKPLATE,REF 706310063E	1.000 EA
415000103F	TLUG	2.000 EA
417733004M	GASKT	2.000 EA
417733013E	GASKT L440	1.000 EA
417733014F	GASKT L440	1.000 EA
418010012F	COVER	1.000 EA
418018074A	GROUND LABEL G100 METRIC 160 D.C.	4.000 EA
418019012A	SETSCREW METRIC	2.000 EA
418057256C	HHCS M10 25MM 440 IEC	1.000 EA
418057549	RTD LABEL	1.000 EA
610490007A	2 AIR OVERHP,1750RPM,3PH,60HZ,56CZ,3524M	1.000 EA
613450026A	FAN	1.000 EA
706310058E	KOBX CVR - 18.90 [480] X 19.49 [495]	1.000 EA
706310059F	ADAPT L440 REK	1.000 EA
706310063E	CBOX L440 1260A MAX	1.000 EA
706310082A	ADAPT (CBOX) L440	1.000 EA
807500074A	FL440,FAN CVR, TOP MTG	1.000 EA
807500075A	MTR BRACE, BLOWER, FL440, TEBC	1.000 EA
807500075B	FL440,BLWR MOTOR BRACE	1.000 EA
807500076A	FL440,FAN CVR GRILL	1.000 EA
000640000P	TAG WINDING THERMOST	1.000 EA
004824007K	SPECIAL PAINT	0.300 EA
034180056LA	KEY 1X1X7 L	1.000 EA
036000025NF	SCREW, HEX M16 BRASS	2.000 EA
417744143G	PACKAGING (PHANTOM)	1.000 EA

REL S.O.	-	VOLTS	460	ENCLOSURE	TEBC	WYE	CONN EQ	CKT OHMS	PER PHASE	
FRAME	FL44440	AMPS	479	MAX SAFE RPM	2800	(AT BASE RATING, 25 °C)				
HP	400	DUTY	CONT	IM (AMPS)	161	R1	.00293	X1	.0526	
BASE SPEED	1790	S.F.	1.0	P.F. @NL/FL	.035/	.825	R2	.00250	X2	.100
PHASE/HERTZ	3/90	AMB °C/INSUL	40/H	WK <sup>2</sup> (lb-ft <sup>2</sup> )	169			XM	1.48	


**RATED FULL LOAD DATA**

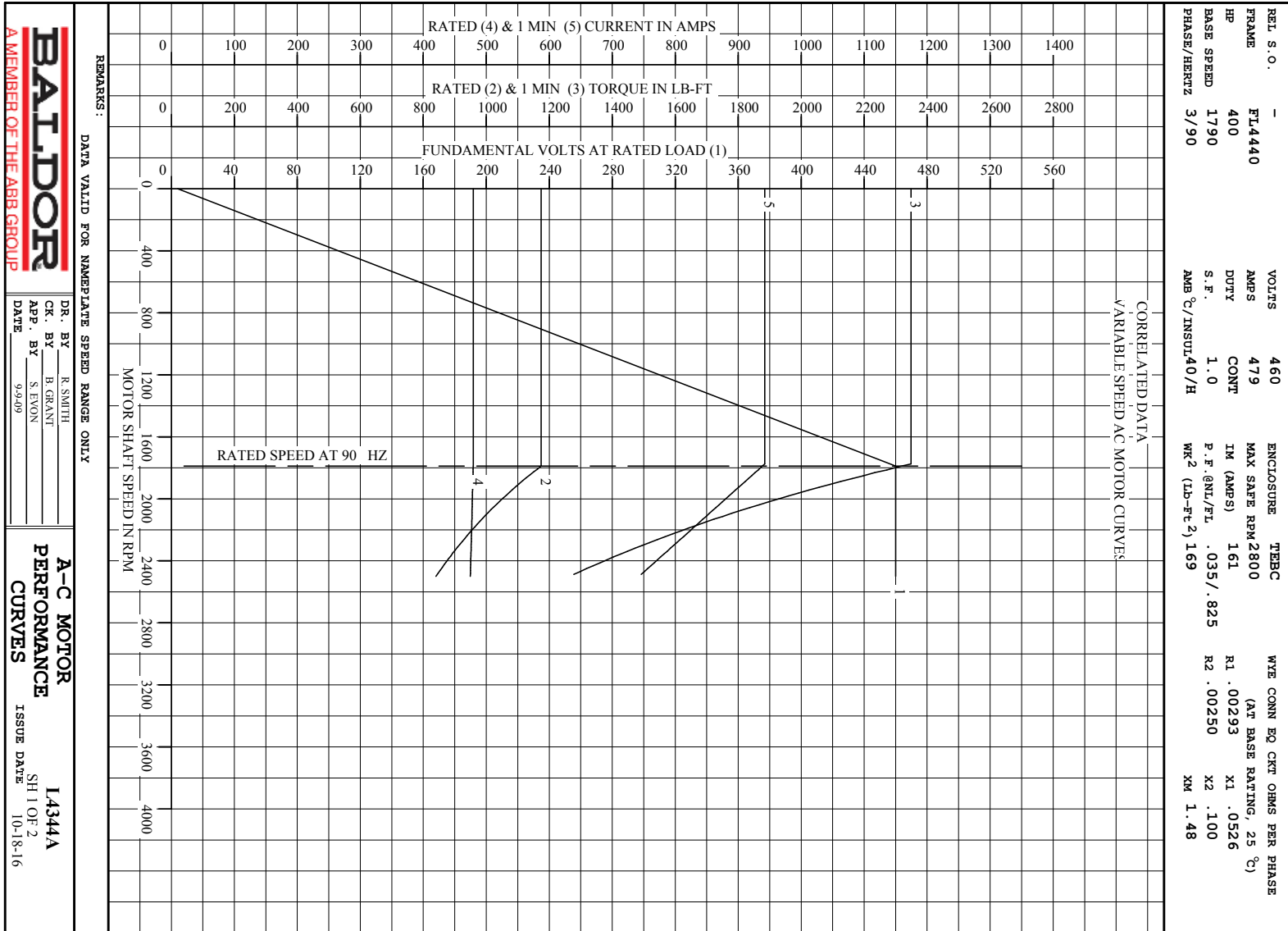
	RPM	HP	TORQUE LB-FT	FUND VOLTS	FREQ-HZ	AMPS
BASE SPEED	1789	400	1174	460	90	479
MAX SPEED	2500	400	841	460	125.8	475
MIN SPEED	0	0	1174	4.12	.5496	479

**LOAD PERFORMANCE AT BASE SPEED**

	RPM	HP	TORQUE LB-FT	FUND VOLTS	FREQ-HZ	AMPS
NO LOAD	1800	0	0	460	90	161
1/4	1797	100	292	460	90	209
1/2	1795	200	586	460	90	282
3/4	1792	300	879	460	90	375
FULL LOAD	1789	400	1174	460	90	479
O/L	1775	794	2349	460	90	942

REMARKS: CORRELATED DATA

 <b>A MEMBER OF THE ABB GROUP</b>	DR. BY	R. SMITH	<b>A-C MOTOR</b> <b>PERFORMANCE</b> <b>DATA</b> I4344A 10-18-16
	CR. BY	B. GRANT	
	APP. BY	S. FIVON	
	DATE	9-9-09	



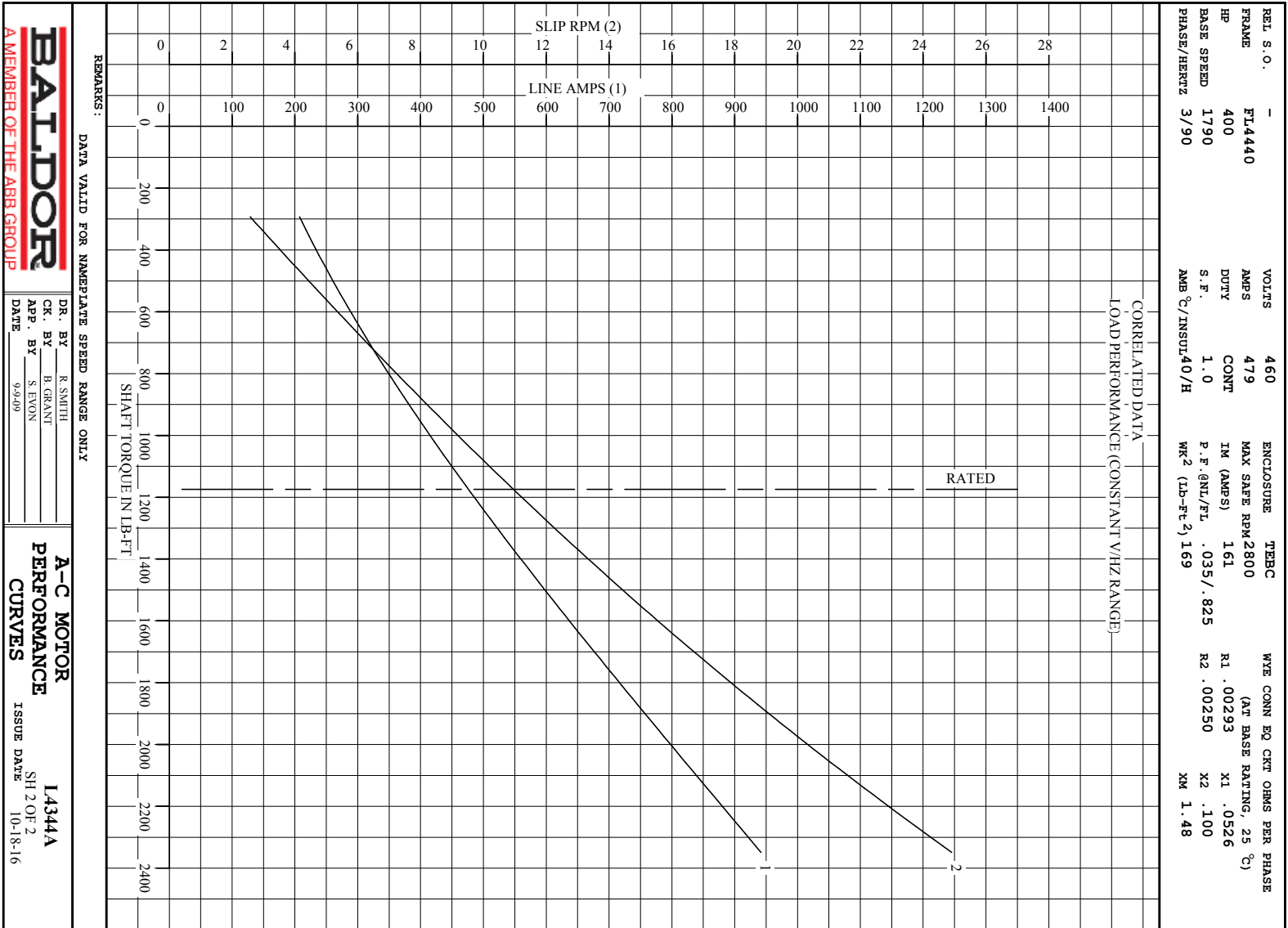
REMARKS: DATA VALID FOR NAMEPLATE SPEED RANGE ONLY

**BALDOR**  
A MEMBER OF THE ABB GROUP

DR. BY R SMITH  
CR. BY B GRANT  
APP. BY S EVON  
DATE 9-9-09

**A-C MOTOR**  
**PERFORMANCE**  
**CURVES**

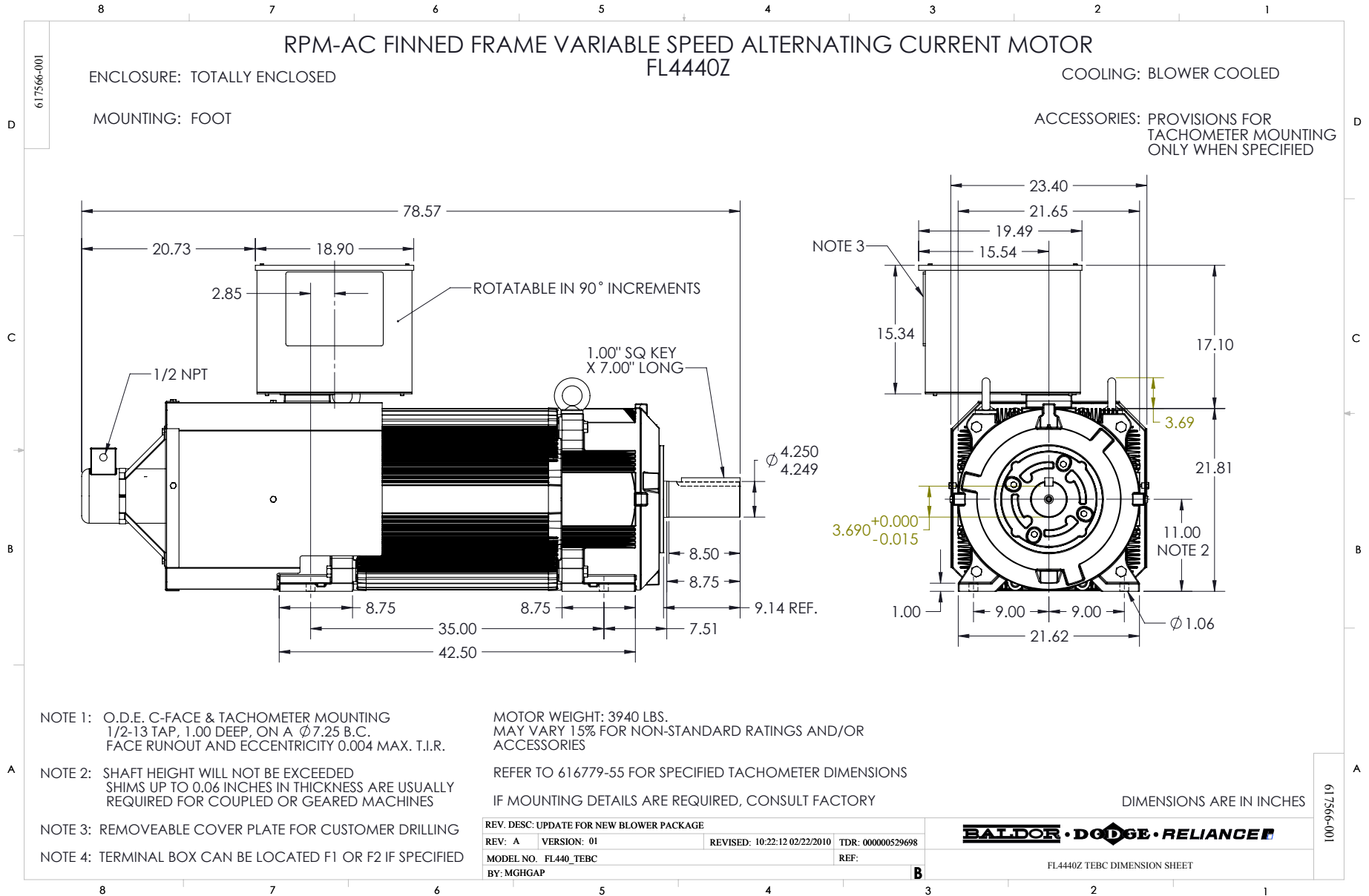
**I4344A**  
SH 1 OF 2  
ISSUE DATE 10-18-16



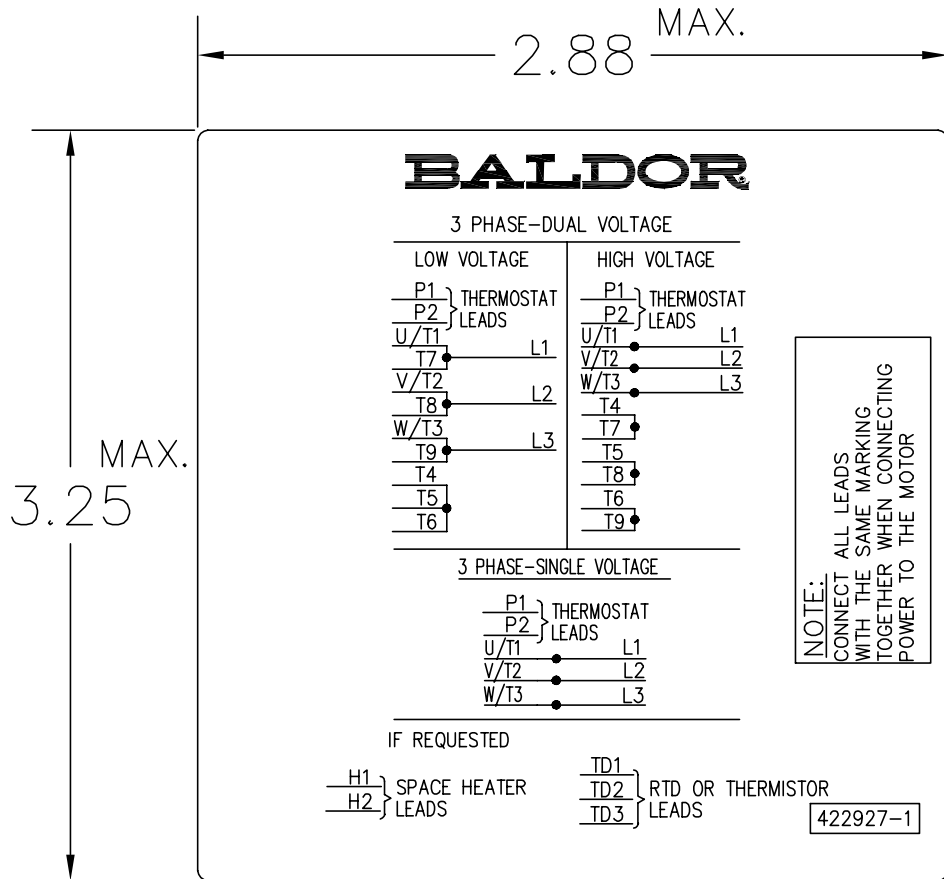
**BALDOR**  
A MEMBER OF THE ABB GROUP

DR. BY R SMITH  
CR. BY B GRANT  
APP. BY S EVON  
DATE 9-9-09

**A-C MOTOR**  
**PERFORMANCE**  
**CURVES**  
I4344A  
SH 2 OF 2  
ISSUE DATE 10-18-16



422927-001



NOTE:  
DATA TO BE SIZED  
SO THAT IT FITS INTO  
MATERIAL DECAL  
DIMENSIONS. MAKE  
LETTERS & NUMBERS  
AS LARGE AS POSSIBLE.

MATERIAL: CERAMATIC DGF-P4  
PERMA GRIP ADHESIVE

ALL LETTERS, NUMBERS  
AND LINES TO BE BLACK  
ON WHITE BACKGROUND.

422927-001

REV. DESC: CHANGE BACKGROUND COLOR FROM GOLD TO WHITE		
REV. LTR: B	VERSION: 02	TDR: 000000788708
FILE: \RGG\00000\203	REVISED: 08:09:29 03/04/2013	
MTL: -	BY: RGGWT	

**BALDOR**

EXTERNAL CONNECTION LABEL

SH 1 of 1

Marketing maintained PDF of MN406:

<http://www.baldor.com/support/Literature/Load.ashx/MN406?ManNumber=MN406>