

BALDOR® • ***RELIANCE***

Product Information Packet

IDGM3301

G.M. F32UF 230V AC 172 RPM 10:1

| Part Detail | | | | | | | |
|-------------|------|----------------|-------|-------------|----------|---------------|--------------|
| Revision: | H | Status: | PRD/A | Change #: | | Proprietary: | No |
| Type: | AC | Prod. Type: | 3332M | Elec. Spec: | 33WGX052 | CD Diagram: | CD0006A16 |
| Enclosure: | TEFC | Mfg Plant: | | Mech. Spec: | | Layout: | 33E282X052G1 |
| Frame: | JH | Mounting: | | Poles: | 04 | Created Date: | 11-08-2013 |
| Base: | | Rotation: | R | Insulation: | F | Eff. Date: | 09-28-2016 |
| Leads: | 3#18 | | | | | Replaced By: | |
| Literature: | | Elec. Diagram: | | | | | |

| Nameplate NP1598A14 | | | | | | | |
|---------------------|--------------------------|---------|--------------------------|----|---|-------|---|
| CAT.NO. | IDGM3301 | SER.NO | | | | | |
| SPEC. | 33E282X052G1 | | | | | | |
| VOLTS | 230 | | | | | | |
| MAG CUR | 2.26 | SL HZ | 3.33 | | | | |
| RPM | 1700 | RPM MAX | 2672 | | | | |
| HP | .75HP | HZ | 60 | PH | 3 | CLASS | F |
| FLA | 2.87 | WK2 | 0.03 | | | | |
| RATING | 40C AMB-CONT | | | | | | |
| RATIO | 10:1 | OUT/RPM | 170 | | | | |
| TORQ/IN LB | 230 | | | | | | |
| CTSR | 6:1 | | | | | | |
| APRV-CSA | <input type="checkbox"/> | APRV-UL | <input type="checkbox"/> | | | | |

| Parts List | | |
|---------------|--|----------|
| Part Number | Description | Quantity |
| SA273194 | SA 33E282X052G1 | 1.000 EA |
| RA259796 | RA 33E282X052G1 | 1.000 EA |
| SR002271 | SR 33E282X052G1 | 1.000 EA |
| LC0006 | CONNECTION LABEL | 1.000 EA |
| 33EP3300A22 | EP,33AC DE CL 6203 42C | 1.000 EA |
| WM0055A16 | WORM,JH 10.0 INP PINNED ON (918 GEOME | 1.000 EA |
| MJ5019A01 | ADHESIVE LOCTITE #680 WAS BAD4525 | 0.010 EA |
| 34GS1029A01 | GASKET, CONDUIT BOX | 1.000 EA |
| 34CB3002C | CB CAST W/.69 DIA HOLE | 1.000 EA |
| 51XB1016A07 | 10-16 X 7/16 HXWSSLD SERTYB | 2.000 EA |
| 11XW1032G06 | 10-32X3/8 HX WSHR HD,SLTDTYPE 23,GREEN | 1.000 EA |
| 34GS1031A01 | GASKET, FLAT CONDUIT BOX LID (LEXIDE) | 1.000 EA |
| 34CB4517 | CB LID 4 MTG HOLES .22 DIA STAMPED, FOR | 1.000 EA |
| 51XT0832A08 | 8-32 X 1/2 TY23 HXWS SLDSR | 4.000 EA |
| 33EP3100A01SP | EP,33AC ODE GP 6203 TEFC W/DRAIN | 1.000 EA |
| HW5109A05 | WASHER, WAVE SPRING FOR 40MM BORE SMALLE | 1.000 EA |
| HA3100A16 | THRUBOLT 10-32 X 8.750 | 2.000 EA |
| 51XN1032A16 | 10-32 X 1.000 HX WS SL SR | 2.000 EA |
| 33FN3000SP | EXTERNAL FAN, PLASTIC | 1.000 EA |
| HW1003A08 | WASHER, #8 EX TH LK, ZN (F/S) | 1.000 EA |
| 33FH4000A01SP | FAN COVER, STAMPED | 1.000 EA |
| 51XW1032A06 | 10-32 X .38, TAPTITE II, HEX WSHR SLTD S | 3.000 EA |
| HA6032A04 | ADAPTER, MACH F/BOEHM MACH'D. FOR SEAL | 1.000 EA |
| 10XN2520A16 | 1/4-20 X 1 HEX HEAD CAP SCR, ZINC PLATED | 4.000 EA |

| Parts List (continued) | | |
|------------------------|--|----------|
| Part Number | Description | Quantity |
| HW1001A25 | LOCKWASHER 1/4, ZINC PLT .493 OD, .255 I | 4.000 EA |
| HW4600B91 | SEAL, TCM #06132TB .625X1.375X.252 | 1.000 EA |
| RM1057 | RUBBER SQUARE RING 1.424 I.D. | 1.000 EA |
| HG0039A04 | HSG,JK EX CLOSED | 1.000 EA |
| 19XN1032A12 | SCREW, HEX WASHER HEAD, #10-32 X .750 | 4.000 EA |
| HA1194B01 | BLADDER,CJK EXPANSION | 1.000 EA |
| HA4021A05 | 1/16 NPSF-HX SOC PIPE PLUG TAPER DRY SEA | 1.000 EA |
| 15XM0632A06 | SCREW, 6-32X .375, THREAD FORMING | 3.000 EA |
| HW5109A10 | WASHER, WAVE SPRING FOR 47MM BORE SMALLE | 1.000 EA |
| BS0114A01 | BS,JH OP 6204STD OPEN | 1.000 EA |
| BG6204C03 | 6204 D.SH,C3,POLYREX EM | 1.000 EA |
| HW5002A57 | WALDES N5002-187 BEVELED 1.850 | 1.000 EA |
| 60XM0832A08 | SCREW, PAN TORX 8-32X.500 THREAD FORMING | 4.000 EA |
| RM1020A21 | O-RING,3.240 I.D. X .052 BUNA-N (NITRILE | 1.000 EA |
| HW4600G71 | SEAL, .750 X 1.250 X .250 SGL LIP FT802 | 1.000 EA |
| HW2501D10 | KEY, 3/16 SQ X 1.000 | 1.000 EA |
| ME4000 | .375-.75" DIA.#SW-04 WOVEN SHAFT PROTECT | 0.125 FT |
| MJ1000B02 | KLUB. GH6-460 GEAR OIL 1 GALLON | 0.030 GA |
| MG1000G27 | S-9282E MED CHARCOAL METALLIC GREY | 0.010 GA |
| NP1598A14 | NP,AC INV AD NONE V CSA UL GEAR MO | 1.000 EA |
| MN416A01 | TAG-INSTAL-MAINT no wire (1200/bx) 11/14 | 1.000 EA |
| LB1119N | WARNING LABEL | 1.000 EA |
| CPA1001 | PACKING GROUP OVERSIZED SINGLE | 1.000 EA |

AC Induction Motor Performance Data

Record # 45252 - Typical performance - not guaranteed values

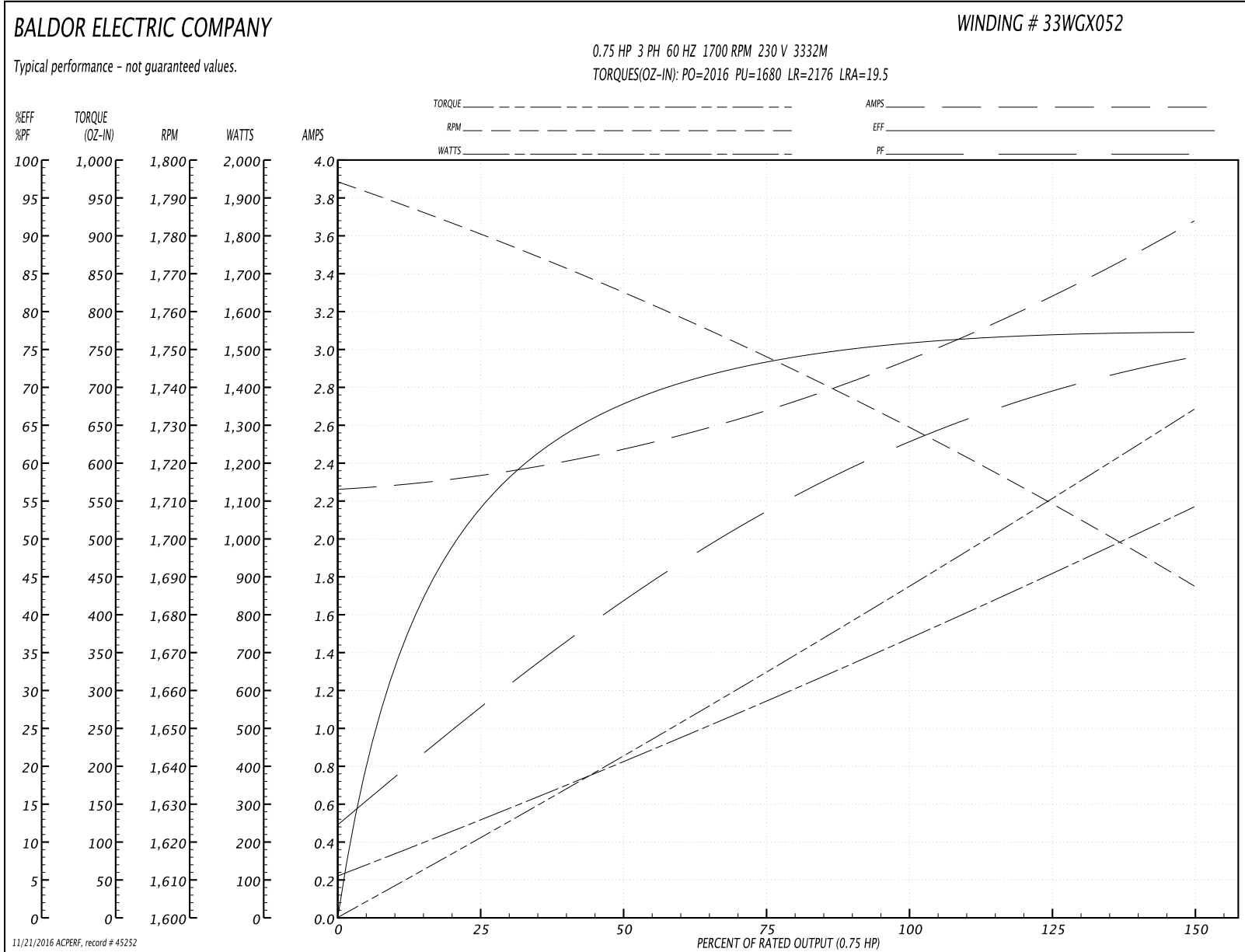
| | | |
|-------------------------------|--------------------|------------------------|
| Winding: 33WGX052-R001 | Type: 3332M | Enclosure: TEFC |
|-------------------------------|--------------------|------------------------|

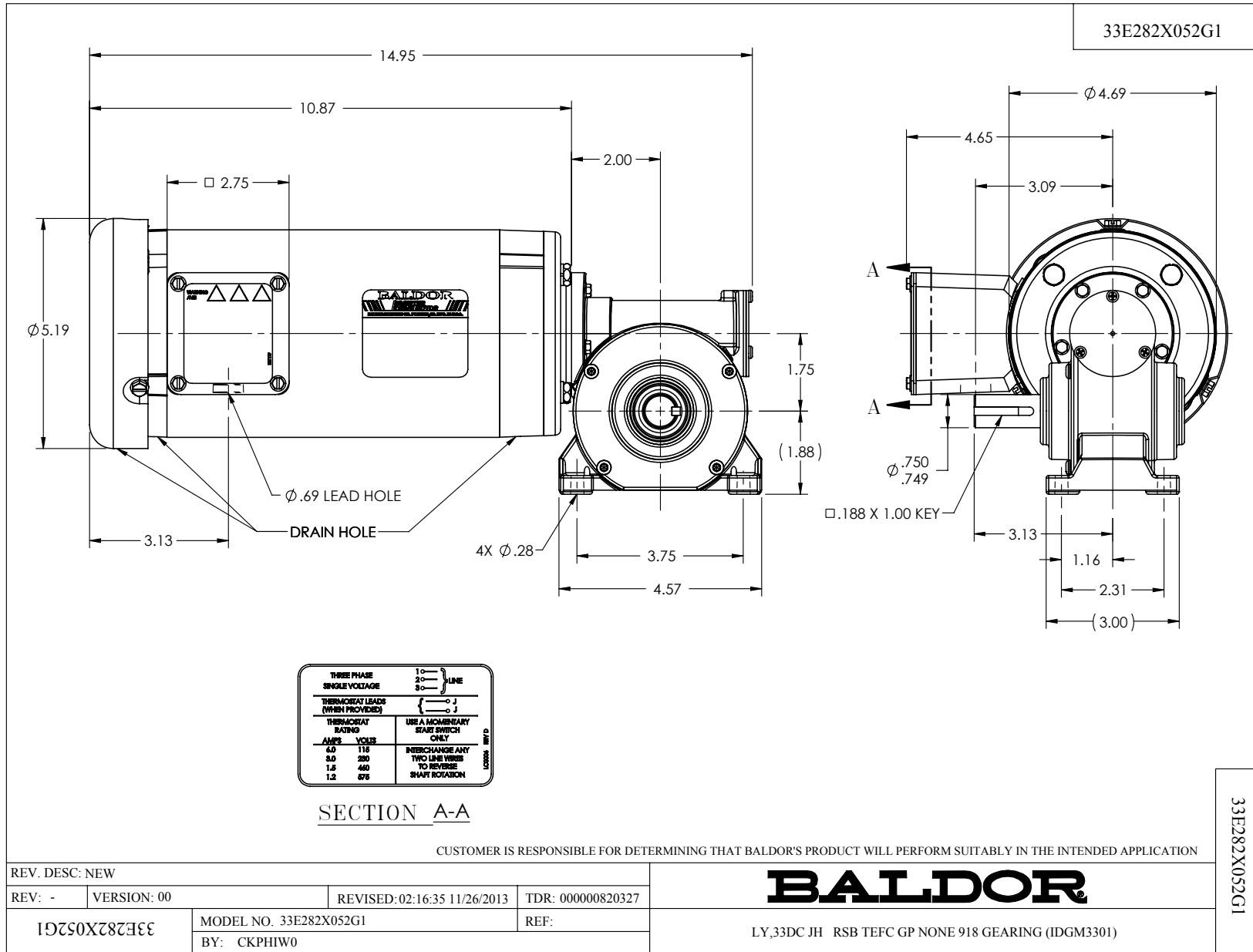
| Nameplate Data | | | | 230 V, 60 Hz: Single Voltage Motor | |
|-----------------------|--------------|--------------|----|---------------------------------------|-------------------------|
| Rated Output (HP) | .75 | | | Full Load Torque | 438.4 OZ-IN |
| Volts | 230 | | | Start Configuration | direct on line |
| Full Load Amps | 2.87 | | | Breakdown Torque | 2016 OZ-IN |
| R.P.M. | 1700 | | | Pull-up Torque | 1680 OZ-IN |
| Hz | 60 | Phase | 3 | Locked-rotor Torque | 2176 OZ-IN |
| NEMA Design Code | B | KVA Code | M | Starting Current | 19.5 A |
| Service Factor (S.F.) | 1 | | | No-load Current | 2.26 A |
| NEMA Nom. Eff. | 75.5 | Power Factor | 62 | Line-line Res. @ 25°C | 4.3331 Ω |
| Rating - Duty | 40C AMB-CONT | | | Temp. Rise @ Rated Load | 83°C |
| | | | | Locked-rotor Power Factor | 61 |
| | | | | Rotor inertia | 68.9 LB-FT ² |

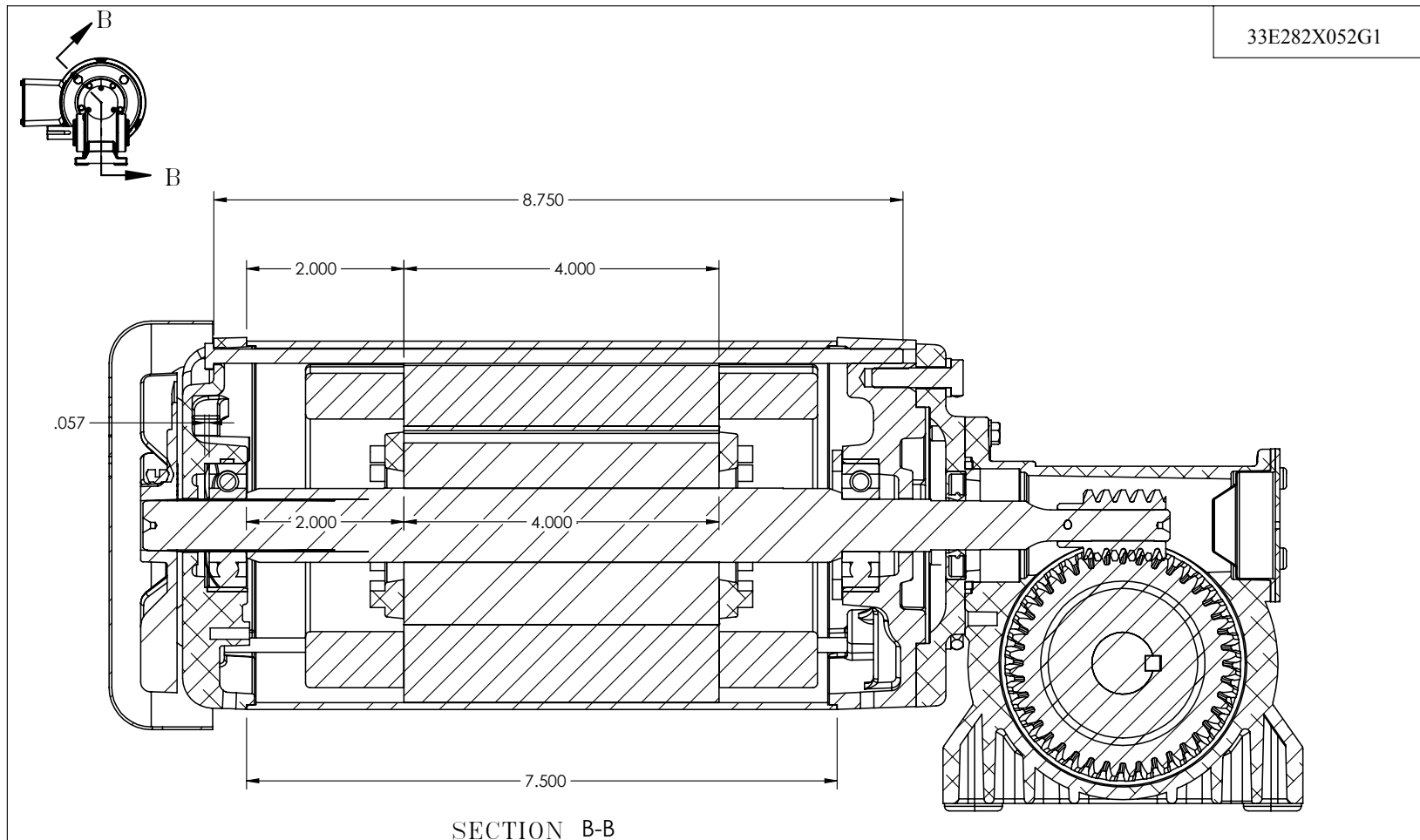
Load Characteristics 230 V, 60 Hz, 0.75 HP

| % of Rated Load | 25 | 50 | 75 | 100 | 125 | 150 |
|-----------------|------|------|------|------|------|------|
| Power Factor | 29 | 42 | 53 | 62 | 69 | 74 |
| Efficiency | 51.1 | 67 | 73.9 | 76.5 | 77.5 | 76.8 |
| Speed | 1778 | 1765 | 1748 | 1730 | 1711 | 1686 |
| Line amperes | 2.34 | 2.47 | 2.67 | 2.96 | 3.28 | 3.68 |

Performance Graph at 230V, 60Hz, 0.75HP Typical performance - Not guaranteed values







SECTION B-B

CUSTOMER IS RESPONSIBLE FOR DETERMINING THAT BALDOR'S PRODUCT WILL PERFORM SUITABLY IN THE INTENDED APPLICATION

| | | | |
|----------------|------------------------|------------------------------|-------------------|
| REV. DESC: NEW | | | |
| REV: - | VERSION: 00 | REVISED: 02:16:35 11/26/2013 | TDR: 000000820327 |
| 33E282X052G1 | MODEL NO. 33E282X052G1 | | REF: |
| | BY: CKPHIW0 | | |

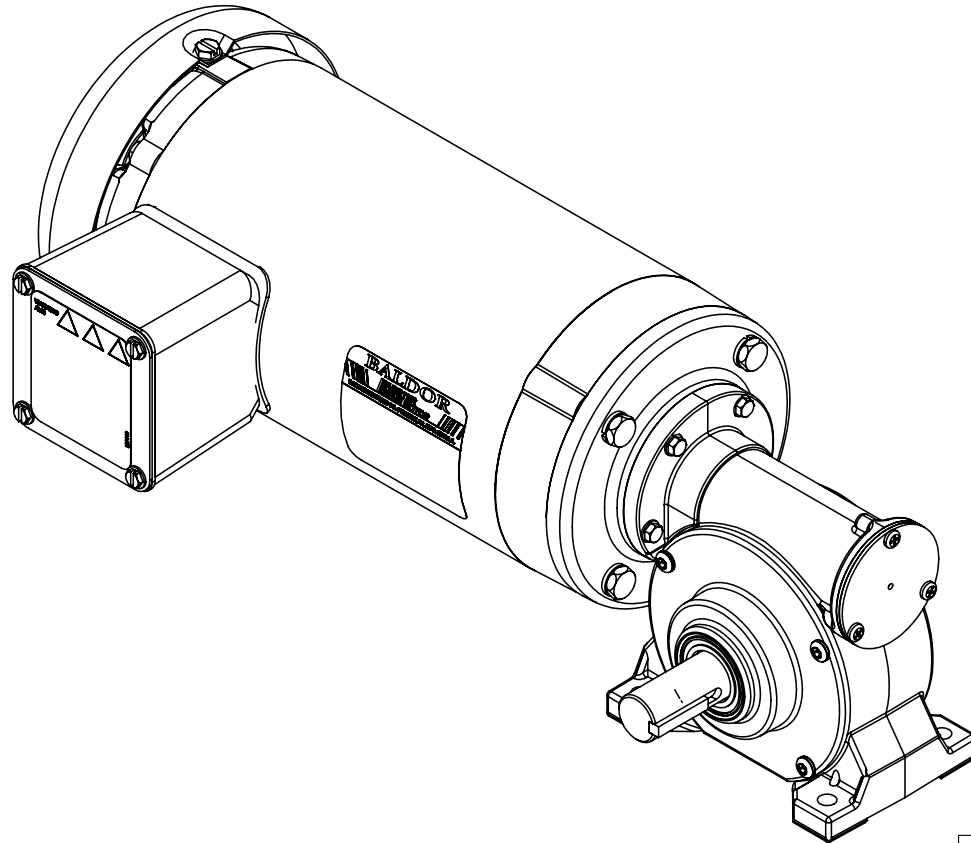
BALDOR

LY,33DC JH RSB TEFC GP NONE 918 GEARING (IDGM3301)

33E282X052G1

| ITEM NO. | PART NUMBER | QTY. |
|----------|----------------|------|
| 1 | 33EP3300A22 | 1 |
| 2 | BG6203C03 | 2 |
| 3 | 33SH1184F01 | 1 |
| 4 | 33RA4132A00A01 | 1 |
| 5 | RB4003A01 | 1 |
| 6 | WM0055A16 | 1 |
| 7 | HW3081C06 | 1 |
| 8 | 33SA9200F52 | 1 |
| 9 | NS2512A01 | 1 |
| 10 | 34GS1029A01 | 1 |
| 11 | 34CB3002C | 1 |
| 12 | 51XB1016A07 | 2 |
| 13 | 11XW1032G06 | 1 |
| 14 | 34GS1031A01 | 1 |
| 15 | 34CB4517 | 1 |
| 16 | 51XT0832A07 | 4 |
| 17 | 33EP3100A01 | 1 |
| 18 | HW5109A05 | 1 |
| 19 | HA3100A16 | 2 |
| 20 | 51XN1032A16 | 2 |
| 21 | 33FN3000 | 1 |
| 22 | 12XN0832A16 | 1 |
| 23 | HW1003A08 | 1 |
| 24 | XY0832A02 | 1 |
| 25 | 33FH4000A01 | 1 |
| 26 | 51XB1016A06 | 3 |
| 27 | HA6032A04 | 1 |
| 28 | HW1001A25 | 4 |
| 29 | 10XN2520A16 | 4 |
| 30 | HW4600B91 | 1 |
| 31 | RM1057 | 1 |
| 32 | HG0039A04 | 1 |
| 33 | HA4021A05 | 1 |
| 34 | 19XN1032A12 | 4 |
| 35 | HA1194B01 | 1 |
| 36 | 15XM0632A06 | 3 |
| 37 | SH0104A43 | 1 |
| 38 | GE0082A05 | 1 |
| 39 | HW2501D06 | 1 |
| 40 | HA2264A02 | 1 |
| 41 | BG6204 | 2 |
| 42 | HW5109A10 | 1 |
| 43 | BS0114A01 | 1 |
| 44 | RM1020A21 | 1 |
| 45 | HW5002A57 | 1 |
| 46 | HW4600D39 | 1 |
| 47 | 60XM0832A08 | 4 |
| 48 | HW2501D10 | 1 |
| 49 | NP1598A14 | 1 |
| 50 | LC0006 | 1 |
| 51 | LB1119 | 1 |

CUSTOMER IS RESPONSIBLE FOR DETERMINING THAT BALDOR'S PRODUCT WILL PERFORM SUITABLY IN THE INTENDED APPLICATION



33E282X052G1

33E282X052G1

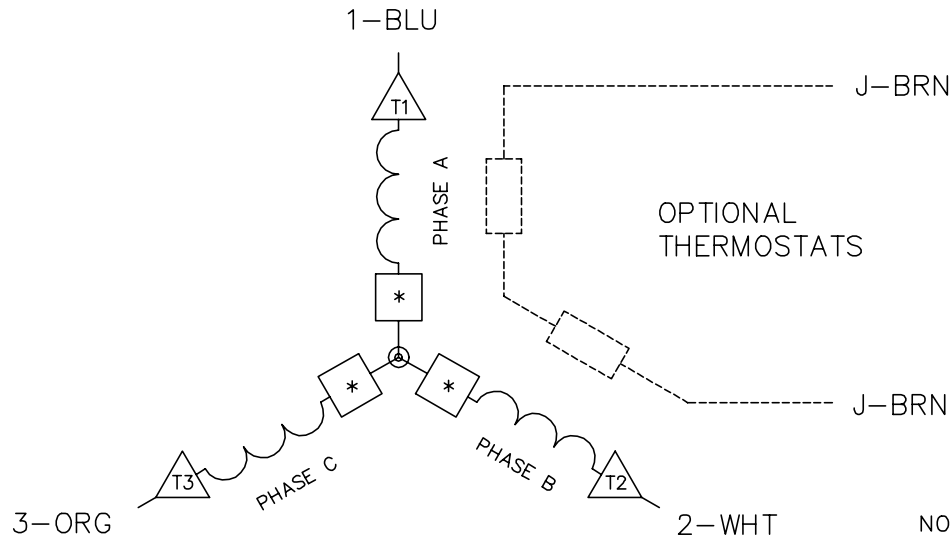
| | | | |
|----------------|-------------|------------------------------|-------------------|
| REV. DESC: NEW | | | |
| REV: - | VERSION: 00 | REVISED: 02:16:35 11/26/2013 | TDR: 000000820327 |
| 33E282X052G1 | | MODEL NO. 33E282X052G1 | REF: |
| | | BY: CKPHIW0 | |

BALDOR



LY,33DC JH RSB TEFC GP NONE 918 GEARING (IDGM3301)

CD0006A16

TYPICAL WYE-CONNECTED MOTOR



NOTES:

1. THREE LEAD MOTOR MAY BE EITHER WYE CONNECTED OR DELTA CONNECTED.
2. INTERCHANGE ANY TWO LINE LEADS TO REVERSE ROTATION.
3. OPTIONAL THERMOSTATS ARE PROVIDED WHEN SPECIFIED.
4. ACTUAL NUMBER OF INTERNAL PARALLEL CIRCUITS MAY VARY.
5. LEAD COLORS ARE OPTIONAL. LEADS MUST BE NUMBERED AS SHOWN.
6.  = MAGNET WIRE COIL END WITH I.D. NUMBER.
 = MAGNET WIRE COIL END WITH I.D. SYMBOL.
7. REFERENCE CW PRINT FOR NEST TO NEST CROSSOVER CONNECTIONS.

CD0006A16

| | | |
|------------------------------------|------------------------------|-------------------|
| REV. DESC: REMOVE DELTA CONNECTION | | |
| REV. LTR: C | VERSION: 03 | TDR: 000000977108 |
| FILE: \CKA\00024\426 | REVISED: 09:42:02 08/16/2016 | BY: CKPAUDO |
| MTL: - | © □ | |

BALDOR

3PH, SV, 3 LEADS, WYE CONNECTED, CK

SH 1 of 1