

BALDOR® • *RELIANCE*

Product Information Packet

JMSSEWDM3709T

7.5HP,3500RPM,3PH,60HZ,213JM,3735M,TEFC

| Part Detail | | | | | | | |
|-------------|-------|----------------|-------|-------------|----------|---------------|------------|
| Revision: | L | Status: | PRD/A | Change #: | | Proprietary: | No |
| Type: | AC | Prod. Type: | 3735M | Elec. Spec: | 37WGS136 | CD Diagram: | CD0005 |
| Enclosure: | TEFC | Mfg Plant: | | Mech. Spec: | 37J863 | Layout: | 37LYJ863 |
| Frame: | 213JM | Mounting: | F1 | Poles: | 02 | Created Date: | 01-25-2011 |
| Base: | RG | Rotation: | R | Insulation: | H | Eff. Date: | 06-08-2016 |
| Leads: | 9#14 | | | | | Replaced By: | |
| Literature: | | Elec. Diagram: | | | | | |

| | | | | | | | | | | |
|----------------------------|---------------|--|-------------|------------|-----------------------|------|--|--------------|-----------|---|
| Nameplate NP1953C01 | | | | | | | | | | |
| CAT.NO. | JMSSEWDM3709T | | | | | | | | | |
| SPEC. | 37J863S136G1 | | | | | | | | | |
| HP | 7.5 | | | | | | | | | |
| VOLTS | 230/460 | | | | | | | | | |
| AMP | 16.8/8.3 | | | | | | | | | |
| RPM | 3500 | | | | | | | | | |
| FRAME | 213JM | | | | HZ | 60 | | | PH | 3 |
| SER.F. | 1.15 | | CODE | K | DES | A | | CLASS | H | |
| NEMA-NOM-EFF | 91 | | | PF | 93 | | | | | |
| RATING | 40C AMB-CONT | | | | | | | | | |
| CC | 010A | | | | USABLE AT 208V | 19.9 | | | | |
| DE | 6309 | | | ODE | 6307 | | | | | |
| ENCL | TEFC | | SN | | | | | | | |

| Parts List | | |
|-------------|--|----------|
| Part Number | Description | Quantity |
| SA245067 | SA 37J863S136G1 | 1.000 EA |
| RA231954 | RA 37J863S136G1 | 1.000 EA |
| 36FN3000C02 | EXFN, PLASTIC, 5.25 OD, 1.175 ID | 1.000 EA |
| HW3200S01 | EYEBOLT 3/8-16 X3/4 S.S. TDR #35988 | 1.000 EA |
| 11XW1032G06 | 10-32 X .38, TAPTITE II, HEX WSHR SLTD U | 1.000 EA |
| 37FE1910A06 | FREP TEFC 307 BRG NO GRSR W/SEAL 4X.125N | 1.000 EA |
| RM1070A48 | O-RING, .070 C.S. X 8.656 ID, VITON | 1.000 EA |
| HW4600F34 | 35MM X 53MM X 4.5MM, VITON FACE SEAL | 1.000 EA |
| HW4500A33 | 1/8 NPT STAINLESS,HOLO-KROME #13002,PRES | 3.000 EA |
| HW5100A08 | W3118-035 WVY WSHR (WB) | 1.000 EA |
| 37PE1911A13 | PUEP 213-5T 309 LKD BRG NO GRSR W/SEAL, | 1.000 EA |
| RM1070A48 | O-RING, .070 C.S. X 8.656 ID, VITON | 1.000 EA |
| HW4600F80 | 45MM X 62MM X 4.5MM,VITON FACE SEAL AFS | 1.000 EA |
| HW4500A33 | 1/8 NPT STAINLESS,HOLO-KROME #13002,PRES | 3.000 EA |
| RM1070A47 | O-RING, -011 VITON, .070 C.S. X .312 ID | 4.000 EA |
| 51XB1214A20 | 12-14X1.25 HXWSSLD SERTYB | 1.000 EA |
| 37FH4000A45 | STAINLESS FAN COVER, NO GREASER SLOT (FO | 1.000 EA |
| 10XN1032S06 | HEX HD CAP SCREW, SS | 3.000 EA |
| 36CB4517 | LIPPED CB LID #304 STAINLESS - CLEANED | 1.000 EA |
| 37GS3010 | 1/16"WHITE LID GASKET | 1.000 EA |
| 59XN0832S07 | 8/32 X 7/16 HX WS HD SER X | 4.000 EA |
| HW2502D13 | SS KEY, 3/16 SQ X 1.375 | 1.000 EA |
| HA7000A01 | KEY RETAINER 7/8" DIA SHAFT | 1.000 EA |
| MJ5001A27 | 32220KN GRAY SEALER *MIN BUY 4 QTS=1GAL | 0.005 QT |

| Parts List (continued) | | |
|-------------------------------|--|-----------------|
| Part Number | Description | Quantity |
| MJ5004A37 | #76732 LOCTITE ANTISEIZE THRD COMPOUND | 0.005 EA |
| HA5027A02 | HA4054 T-DRAIN X2 BAGGED WITH LABEL | 1.000 EA |
| MJ1000A02 | GREASE, POLYREX EM EXXON (USe 4824-15A) | 0.050 LB |
| WD5603A01 | KIT, CLOSED-END LEAD SPLICE (18-14GA) | 1.000 EA |
| HA3104S14 | 300UBOLT 12.125LG SS | 4.000 EA |
| 37PA1067 | PALLET PACK GROUP, BLANK PK1156 | 1.000 EA |
| MN416A01 | TAG-INSTAL-MAINT no wire (1200/bx) 11/14 | 1.000 EA |
| HA5027A07 | 85XU1208S08 FACE DRAIN PINS BAGGED | 1.000 EA |

AC Induction Motor Performance Data

Record # 57387 - Typical performance - not guaranteed values

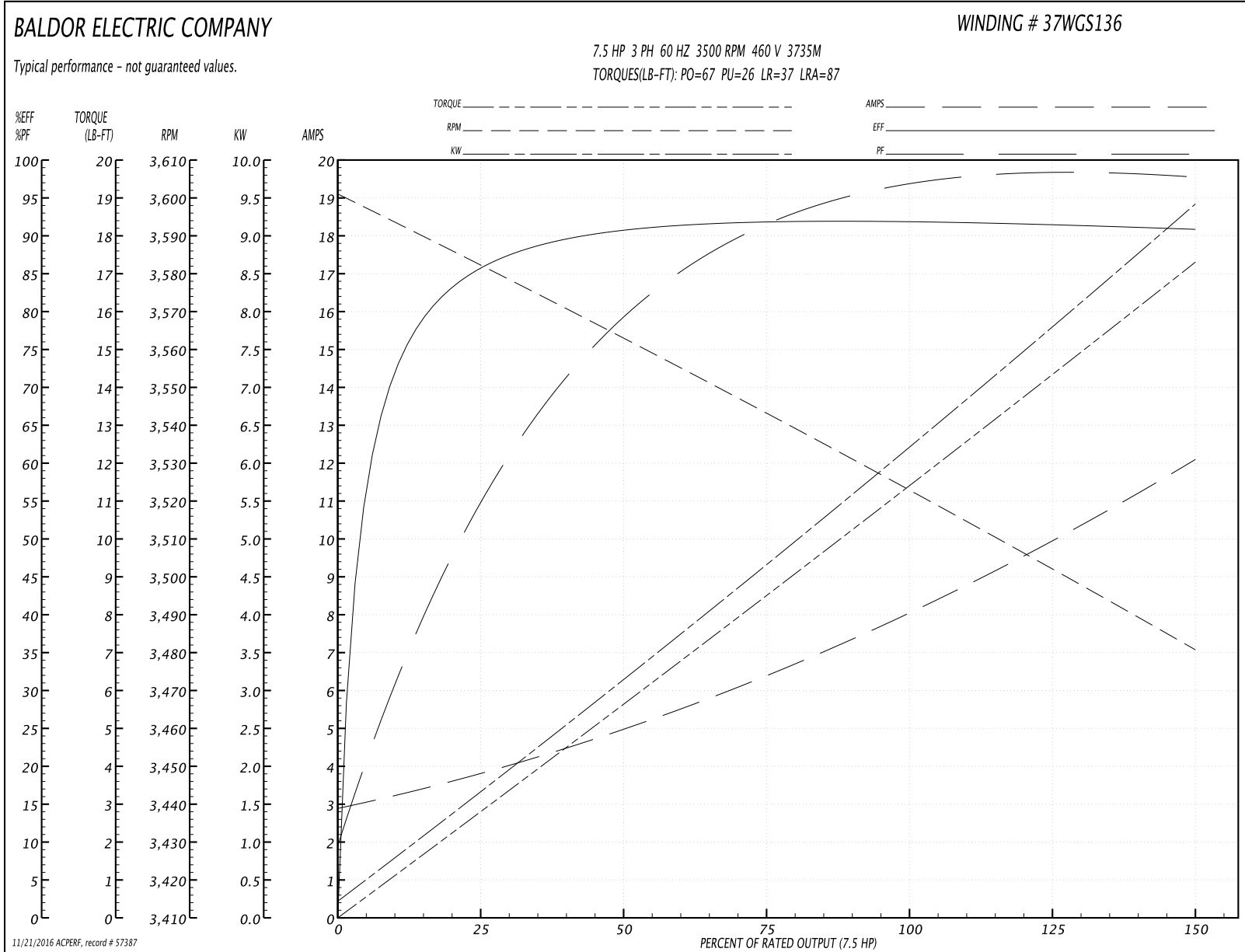
| | | |
|-------------------------------|--------------------|------------------------|
| Winding: 37WGS136-R005 | Type: 3735M | Enclosure: TEFC |
|-------------------------------|--------------------|------------------------|

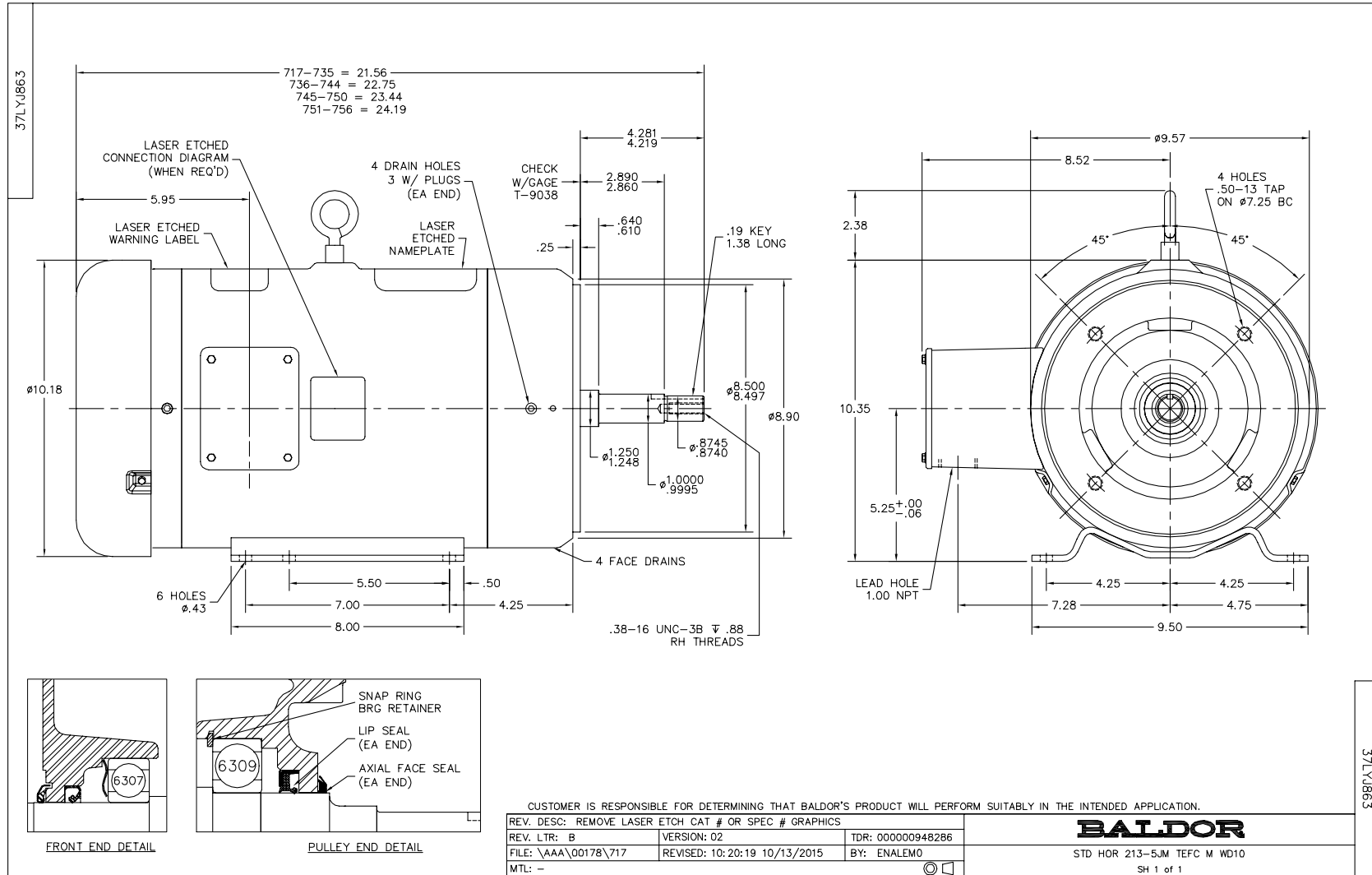
| Nameplate Data | | | | 460 V, 60 Hz: High Voltage Connection | |
|-----------------------|--------------|--------------|----|--|-------------------------|
| Rated Output (HP) | 7.5 | | | Full Load Torque | 11.5 LB-FT |
| Volts | 230/460 | | | Start Configuration | direct on line |
| Full Load Amps | 16.8/8.3 | | | Breakdown Torque | 67 LB-FT |
| R.P.M. | 3500 | | | Pull-up Torque | 26 LB-FT |
| Hz | 60 | Phase | 3 | Locked-rotor Torque | 37 LB-FT |
| NEMA Design Code | A | KVA Code | K | Starting Current | 87 A |
| Service Factor (S.F.) | 1.15 | | | No-load Current | 3.2 A |
| NEMA Nom. Eff. | 91 | Power Factor | 93 | Line-line Res. @ 25°C | 0.906 Ω |
| Rating - Duty | 40C AMB-CONT | | | Temp. Rise @ Rated Load | 47°C |
| S.F. Amps | | | | Temp. Rise @ S.F. Load | 57°C |
| | | | | Locked-rotor Power Factor | 32.4 |
| | | | | Rotor inertia | 0.32 LB-FT ² |

Load Characteristics 460 V, 60 Hz, 7.5 HP

| % of Rated Load | 25 | 50 | 75 | 100 | 125 | 150 | S.F. |
|-----------------|------|------|------|------|------|------|------|
| Power Factor | 62 | 86 | 90 | 95 | 95 | 100 | 95 |
| Efficiency | 84.6 | 90.9 | 92.2 | 91.9 | 91.4 | 90.9 | 91.6 |
| Speed | 3584 | 3564 | 3542 | 3521 | 3499 | 3483 | 3508 |
| Line amperes | 3.5 | 4.7 | 6.6 | 8.3 | 10.3 | 11.8 | 9.5 |

Performance Graph at 460V, 60Hz, 7.5HP Typical performance - Not guaranteed values





CD0005



LOW VOLTAGE
(2Y)



LINE

HIGH VOLTAGE
(1Y)



LINE

NOTES:

1. INTERCHANGE ANY TWO LINE LEADS TO REVERSE ROTATION.
2. OPTIONAL THERMOSTATS ARE PROVIDED WHEN SPECIFIED.
3. ACTUAL NUMBER OF INTERNAL PARALLEL CIRCUITS MAY BE A MULTIPLE OF THOSE SHOWN ABOVE.
4. LEAD COLORS ARE OPTIONAL. LEADS MUST ALWAYS BE NUMBERED AS SHOWN.

| | | | |
|---|---------|-------------------------|--------------|
| REV. DESC: REVISE TO SHOW OPTIONAL COLORS | | | |
| REV. LTR: E | BY: JLP | REVISED: 01/19/99 10:15 | TDR: 0171435 |
| 9000D | | FILE: AAA00005140 | MDL: - |
| | | MTL: - | |

BALDOR ELECTRIC Co.

3PH, DV, 9 LEADS

CD0005