

BALDOR® • RELIANCE

Product Information Packet

L1306A

.75HP,3450RPM,1PH,60HZ,56,3424L,OPEN,F1

Part Detail							
Revision:	F	Status:	PRD/A	Change #:		Proprietary:	No
Type:	AC	Prod. Type:	3424L	Elec. Spec:	34WG2414	CD Diagram:	CD0008
Enclosure:	OPEN	Mfg Plant:		Mech. Spec:	34D061	Layout:	34LYD061
Frame:	56	Mounting:	F1	Poles:	02	Created Date:	01-10-2006
Base:	RG	Rotation:	R	Insulation:	B	Eff. Date:	11-01-2011
Leads:	6#18,1#14 #4TH					Replaced By:	
Literature:		Elec. Diagram:					

Nameplate NP1257L	
CAT.NO.	L1306A
SPEC.	34D061-2414G1
HP	.75
VOLTS	115/230
AMP	11/5.5
RPM	3450
FRAME	56
HZ	60
PH	1
SER.F.	1.25
CODE	J
DES	N
CL	B
NEMA-NOM-EFF	69
PF	68
RATING	40C AMB-CONT
CC	USABLE AT 208V
DE	6203
ODE	6203
ENCL	OPEN
SN	
	SFA 12/6.6

Parts List		
Part Number	Description	Quantity
SA137292	SA 34D061-2414G1	1.000 EA
RA126909	RA 34D061-2414G1	1.000 EA
EC1270A02SP	ELEC CAP, 270-324 MFD, 125V, 1.48D X 3.	1.000 EA
NS2512A01	INSULATOR, CONDUIT BOX X	1.000 EA
34CB3002A	CB CAST W/.88 DIA HOLE	1.000 EA
51XB1016A07	10-16 X 7/16 HXWSSLD SERTYB	2.000 EA
11XW1032G06	10-32 X .38, TAPTITE II, HEX WSHR SLTD U	1.000 EA
SP1006A01	TERM. BOARD, MODE 35 SW X H-23655	1.000 EA
51XW0832A07	8-32 X .44, TAPTITE II, HEX WSHR SLTD SE	2.000 EA
34EP3200A01SP	FR ENDPLATE, MACH	1.000 EA
NS2500A01	INSULATOR, AUTO THER PROT	1.000 EA
34CB4800SP	CAPACITOR COVER, STAMPED PRIMED	1.000 EA
51XB1016A05	10-16X5/16HX WA SL SR TYB (F/S)	2.000 EA
HW5100A03SP	WAVY WASHER (W1543-017)	1.000 EA
34EP3200A02SP	FR/PU ENDPLATE, MACH	1.000 EA
XY1032A02	10-32 HEX NUT DIRECTIONAL SERRATION	4.000 EA
34CB4517	CB LID 4 MTG HOLES .22 DIA STAMPED, FOR	1.000 EA
51XW0832A07	8-32 X .44, TAPTITE II, HEX WSHR SLTD SE	4.000 EA
HW2501D13	KEY, 3/16 SQ X 1.375	1.000 EA
HA7000A04	KEY RETAINER 0.625 DIA SHAFTS	1.000 EA
MG1000G27	MED CHARCOAL METALLIC GREY 400-0096	0.014 GA
10XF0440S02	04-40 X 1/8 TYPE F HEX HD STAINLESS STIC	2.000 EA
SP5056A24	34 TYPE L STATIONARY SWITCH W/ LEADS	1.000 EA
HA3100A45	THRUBOLT 10-32 X 8.875	4.000 EA

Parts List (continued)		
Part Number	Description	Quantity
LB1118	LABEL,WARNING (ROLL LABEL)	1.000 EA
MN416A01	TAG-INSTAL-MAINT no wire (1200/bx) 11/14	1.000 EA
LC0008	CONNECTION LABEL	1.000 EA
NP1257L	ALUM UL CSA CC THERMAL REV MTG	1.000 EA
34PA1002	PKG GRP, PRINT PK1001A01	1.000 EA

Accessories		
Part Number	Description	Multiplier
35-8764	C FACE KIT	A8
35EP1604A01SP	D-FLANGE KIT	A8

AC Induction Motor Performance Data
Record # 6648 - Typical performance - not guaranteed values

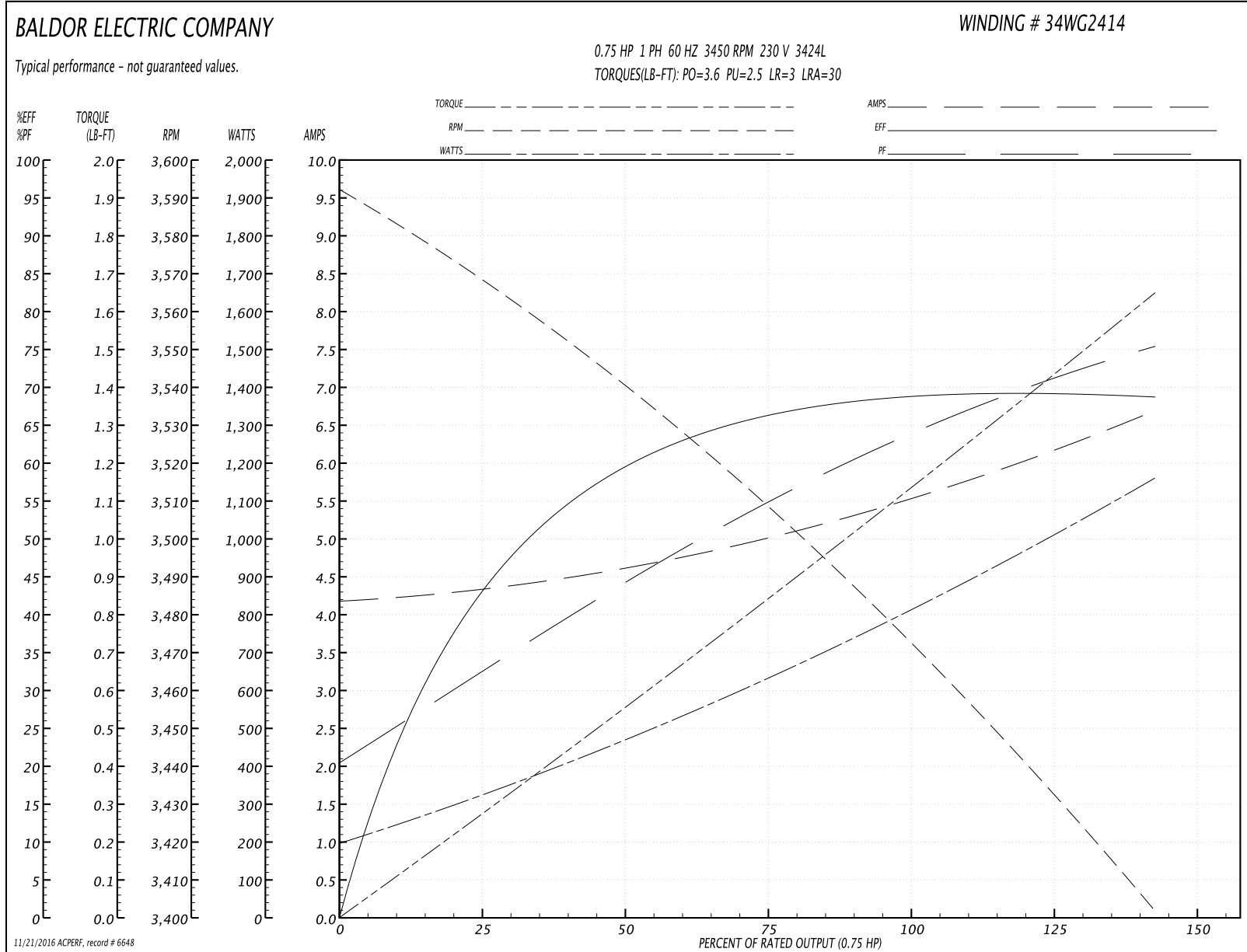
Winding: 34WG2414-R003	Type: 3424L	Enclosure: OPEN
-------------------------------	--------------------	------------------------

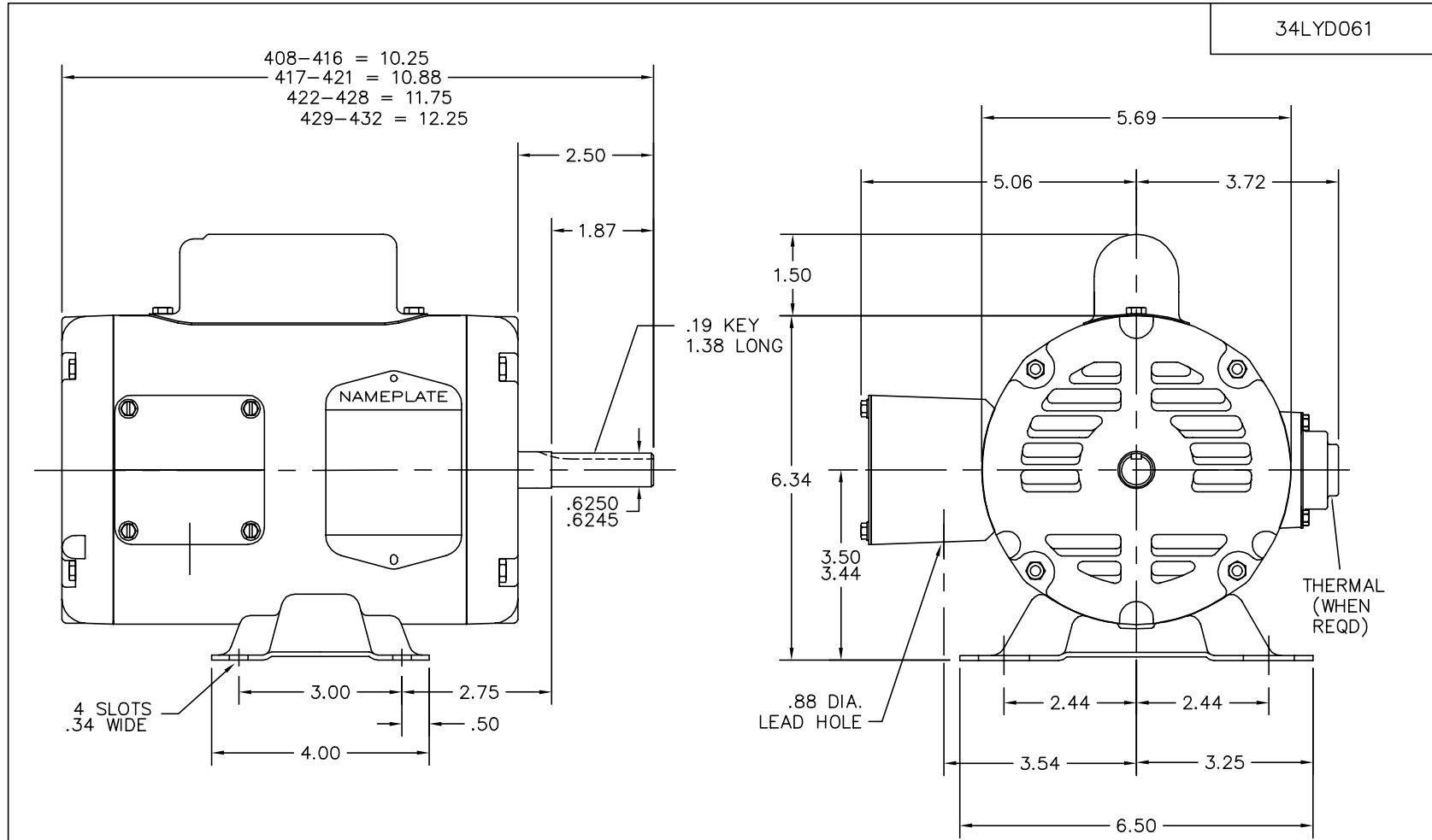
Nameplate Data				230 V, 60 Hz: High Voltage Connection	
Rated Output (HP)	.75			Full Load Torque	1.1 LB-FT
Volts	115/230			Start Configuration	direct on line
Full Load Amps	11/5.5			Breakdown Torque	3.6 LB-FT
R.P.M.	3450			Pull-up Torque	2.5 LB-FT
Hz	60	Phase	1	Locked-rotor Torque	3 LB-FT
NEMA Design Code	N	KVA Code	J	Starting Current	30 A
Service Factor (S.F.)	1.25			No-load Current	4.2 A
NEMA Nom. Eff.	69	Power Factor	68	Line-line Res. @ 25°C	2.37 Ω A Ph 1.66 Ω B Ph
Rating - Duty	40C AMB-CONT			Temp. Rise @ Rated Load	42°C
S.F. Amps	12/6.6			Temp. Rise @ S.F. Load	51°C

Load Characteristics 230 V, 60 Hz, 0.75 HP

% of Rated Load	25	50	75	100	125	150	S.F.
Power Factor	35	50	60	68	74	78	74
Efficiency	42.5	59	66	69	69.5	68.5	69.5
Speed	3565	3545	3520	3465	3440	3405	3440
Line amperes	4.3	4.6	5	5.5	6	6.7	6

Performance Graph at 230V, 60Hz, 0.75HP Typical performance - Not guaranteed values





CUSTOMER IS RESPONSIBLE FOR DETERMINING THAT MOTOR PERFORMANCE IS SUITABLE IN THE APPLICATION.

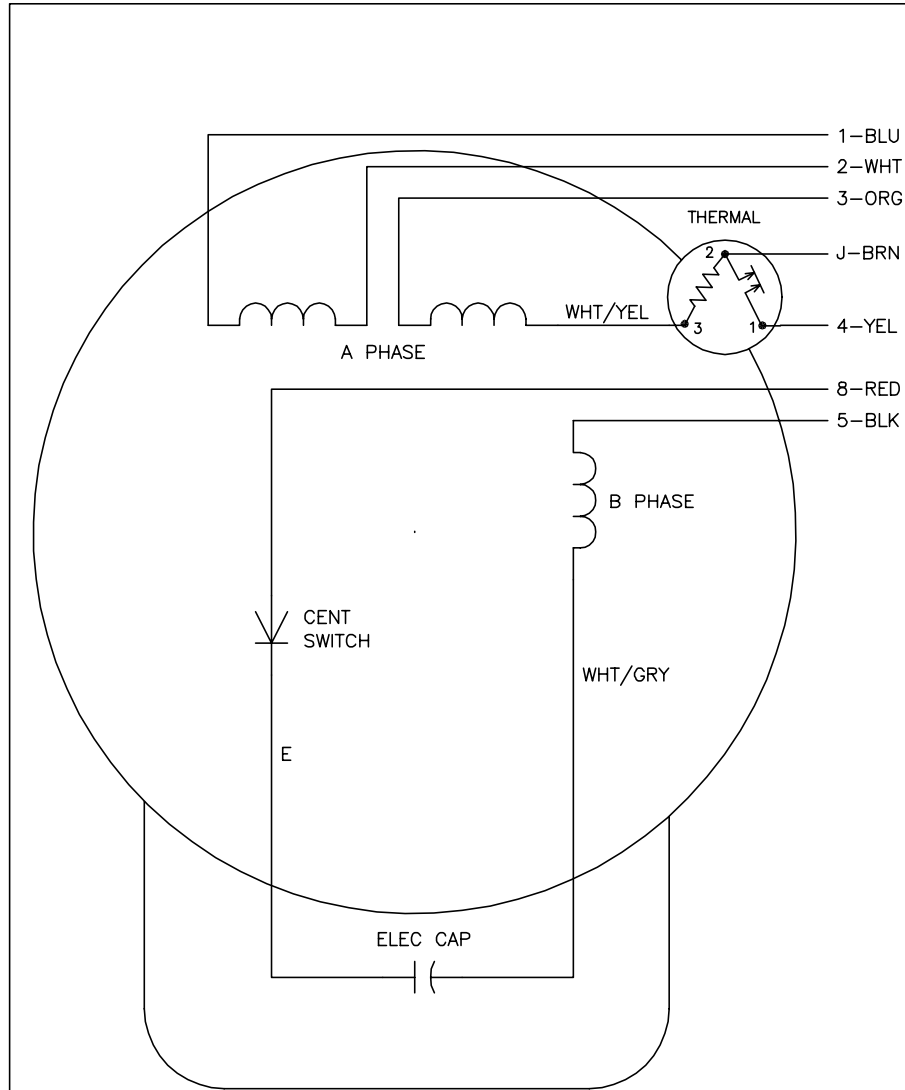
REV. DESC: RE-ACTIVATE		
REV. LTR: E	VERSION: 01	TDR: 000000385212
34LYD061	FILE: \AAA\00037\073	REVISED: 09:35:30 01/10/2006
	MTL: -	BY: ENELLSO

BALDOR ELECTRIC Co.

STD HORZ 34L NEMA 56 OPEN

34LYD061

CD0008



	LINE A	LINE B	JOIN	JOIN
HIGH STD	1	4	2,3,8	J,5
HIGH OPP	1	4	2,3,5	J,8
LOW STD	1,3,8	4	-	2,J,5
LOW OPP	1,3,5	4	-	2,J,8

NOTES:

1. STANDARD ROTATION IS CCW FACING END OPPOSITE SHAFT EXTENSION.
2. MULTIPLE CAPACITORS ARE CONNECTED IN PARALLEL UNLESS OTHERWISE SPECIFIED.
3. LEAD COLORS ARE OPTIONAL. LEADS MUST ALWAYS BE NUMBERED AS SHOWN.

REV. DESC: REMOVE 2-TERMINAL THERMAL DETAIL, SEE CD0008A02		
REV. LTR: F	VERSION: 01	TDR: 000000360649
80000D	FILE: \AAA\00007\408	REVISED: 10:56:54 04/18/2005
	MTL: -	BY: ENJOEPO

BALDOR ELECTRIC Co.

TYPE L, DV, REV, THERMAL, 7 LEADS

CD0008