

BALDOR® • RELIANCE

Product Information Packet

L1405T-50

HP,1425RPM,1PH,50HZ,182T,3628L,OPEN,F1

Part Detail							
Revision:	AK	Status:	PRD/A	Change #:		Proprietary:	No
Type:	AC	Prod. Type:	3628L	Elec. Spec:	36WG0394	CD Diagram:	CD0001
Enclosure:	OPEN	Mfg Plant:		Mech. Spec:	36D001	Layout:	36LYD001
Frame:	182T	Mounting:	F1	Poles:	04	Created Date:	
Base:	RG	Rotation:	R	Insulation:	B	Eff. Date:	09-10-2015
Leads:	4#14 A PH,2#16 B PH					Replaced By:	
Literature:		Elec. Diagram:					

Nameplate NP1372L										
CAT.NO.	L1405T-50									
SPEC.	36D01-394									
HP	2									
VOLTS	110/220									
AMP	28/14									
RPM	1425									
FRAME	182T				HZ	50			PH	1
SER.F.	1.15		CODE	H	DES	L		CL	B	
NEMA-NOM-EFF	69		PF	67						
RATING	40C AMB-CONT									
CC									USABLE AT 208V	
DE	6206				ODE	6205				
ENCL	OPEN		SN							
	IP23									

Parts List		
Part Number	Description	Quantity
SA034370	SA 36D01-394	1.000 EA
RA030398	RA 36D01-394	1.000 EA
EC1850A06SP	ELEC CAP 115V 2.0 X 4.3 X	1.000 EA
36CB3004	36 CB CASTING W/1.09 DIA LEAD HOLE @ 6:0	1.000 EA
51XB1016A08	10-16X 1/2HXWSSLD SERTYB	2.000 EA
11XW1032G06	10-32 X .38, TAPTITE II, HEX WSHR SLTD U	1.000 EA
HW3001B01	BRASS CUP WASHER, FOR #8 SCREW	1.000 EA
36EP3200A01	FR ENDPLATE, ASSEMBLY FOR ROUTING	1.000 EA
HW4500A01	1641B(ALEMITE)400 UNIV, GREASE FITT	1.000 EA
13XF0832A08	8-32 X.50 PAN HD,SLTD, TYPE F SCREW, ZIN	2.000 EA
NS2501A01	INSULATOR, CAPACITOR	1.000 EA
SP1008A01	BAFFLE, MODEL 36 & 37	1.000 EA
35CB4802A02SP	CAPACITOR COVER, STAMPED X	1.000 EA
51XB1016A05	10-16X5/16HX WA SL SR TYB (F/S)	2.000 EA
HW5100A05	WVY WSHR F/205 & 304 BRGS	1.000 EA
36PE3201A01	PU ENDPLATE, ASSEMBLY FOR ROUTING	1.000 EA
HW4500A01	1641B(ALEMITE)400 UNIV, GREASE FITT	1.000 EA
XY2520A12	1/4-20 HEX NUT, DIRECTIONAL SERRATIONS	4.000 EA
36CB4516	36 LIPPED CB LID	1.000 EA
51XW0832A07	8-32 X .44, TAPTITE II, HEX WSHR SLTD SE	4.000 EA
HW2501E16	3KEY, 1/4 SQ X 1.750	1.000 EA
HA7000A02	KEY RETAINER RING, 1 1/8 DIA, 1 3/8 DIA	1.000 EA
85XU0407S04	4X1/4 U DRIVE PIN STAINLESS	2.000 EA
WD1000A15	3-520132-2 AMP FLAG (4M/RL NON-CANC/NON-	2.000 EA

Parts List (continued)		
Part Number	Description	Quantity
MJ1000A02	GREASE, POLYREX EM EXXON (USe 4824-15A)	0.050 LB
MG1000G27	MED CHARCOAL METALLIC GREY 400-0096	0.022 GA
HA3101A25	THRUBOLT 1/4-20 X 11.000 OHIO ROD	4.000 EA
MN416A01	TAG-INSTAL-MAINT no wire (1200/bx) 11/14	1.000 EA
SP5172A09	37 TYPE L TORQ STAT SWITCH LEAD ASSEMBLY	1.000 EA
LB1119N	WARNING LABEL	1.000 EA
LC0001	CONN LABEL TYPE L, 6 LEAD, DUAL VOLTS, R	1.000 EA
NP1372L	ALUM UL CSA CE CC	1.000 EA
36PA1000	PKG GRP, PRINT PK1016A06	1.000 EA

Accessories		
Part Number	Description	Multiplier
36-3403	C FACE KIT	A8
36EP1405A09SP	D-FLANGE KIT	A8

AC Induction Motor Performance Data

Record # 10474 - Typical performance - not guaranteed values

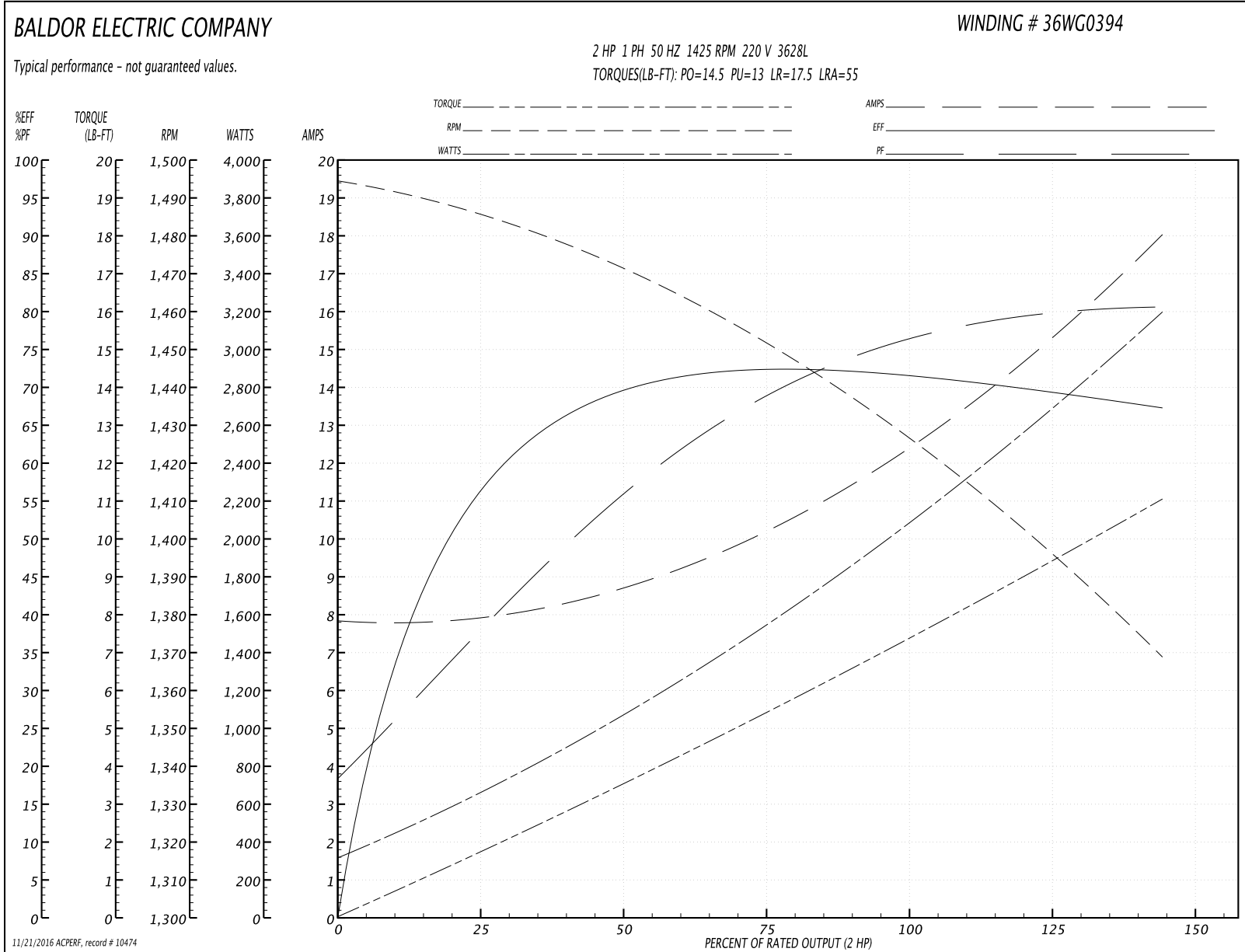
Winding: 36WG0394-R001	Type: 3628L	Enclosure: OPEN
-------------------------------	--------------------	------------------------

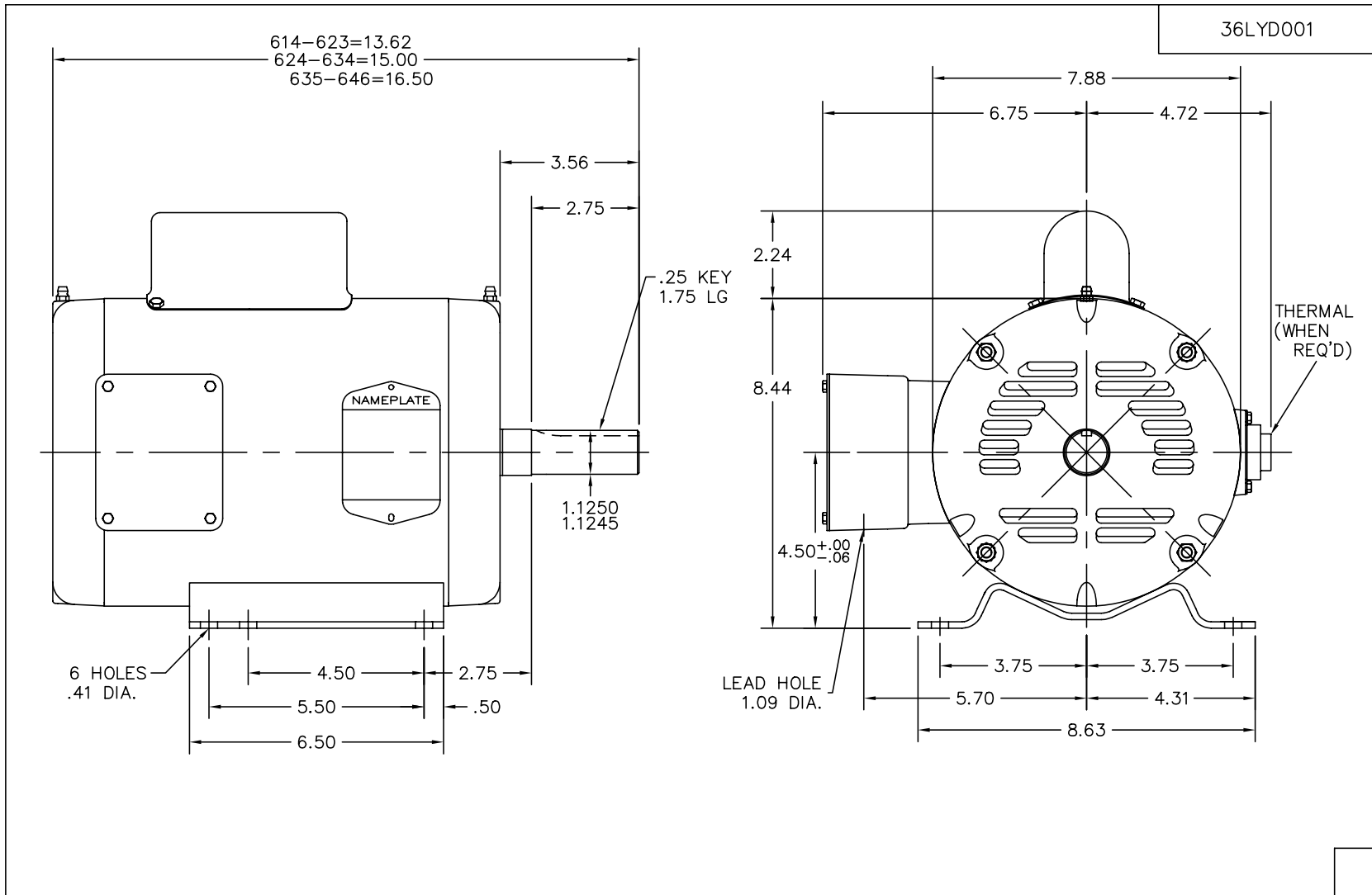
Nameplate Data				220 V, 50 Hz: High Voltage Connection	
Rated Output (HP)	2			Full Load Torque	7.4 LB-FT
Volts	110/220			Start Configuration	direct on line
Full Load Amps	28/14			Breakdown Torque	14.5 LB-FT
R.P.M.	1425			Pull-up Torque	13 LB-FT
Hz	50	Phase	1	Locked-rotor Torque	17.5 LB-FT
NEMA Design Code	L	KVA Code	H	Starting Current	55 A
Service Factor (S.F.)	1			No-load Current	7.7 A
NEMA Nom. Eff.	69	Power Factor	67	Line-line Res. @ 25°C	0.276 Ω A Ph 1.48 Ω B Ph
Rating - Duty	40C AMB-CONT			Temp. Rise @ Rated Load	73°C

Load Characteristics 220 V, 50 Hz, 2 HP

% of Rated Load	25	50	75	100	125	150
Power Factor	38	56	68	76	81	84
Efficiency	55.1	68.1	72.2	72.6	70.7	66.4
Speed	1483	1467	1450	1429	1402	1365
Line amperes	8.05	8.95	10.4	12.3	14.8	18.3

Performance Graph at 220V, 50Hz, 2.0HP Typical performance - Not guaranteed values





CUST. NAME		CUST. P.O.		CERTIFIED BY		MODEL		INSUL		AMB	
H.P.		MTG		TYPE		R.P.M.		VOLTS		ENCL	
PHASE		FREQ		FRAME							
REV. DESC: CHG'D CONDUIT BOX AND LID (SEE EC09)											
REV. LTR: K		BY: JED		REVISED: 01/26/99 9:59		TDR: 0171561		BALDOR ELECTRIC Co.			
100A 192				FILE: AAA00002580		MDL: -					
		MTL: -						STD HORZ 182-4T OPEN 36L			

36LYD001

CD0001



CD0001

REV. DESC: REVISE TO SHOW OPTIONAL COLORS			
REV. LTR: D	BY: JLP	REVISED: 04/08/99 1:16	TDR: 0178636
100000		FILE: AAA00007405	MDL: -
		MTL: -	

BALDOR ELECTRIC Co.

TYPE L, DV, REV, 6 LEADS