

# **BALDOR**® • **RELIANCE**

## **Product Information Packet**

# **L3406M**

**.33HP, 1725RPM, 1PH, 60HZ, 48, 3414L, TEFC, F1**

Part Detail							
Revision:	V	Status:	PRD/A	Change #:		Proprietary:	No
Type:	AC	Prod. Type:	3414L	Elec. Spec:	34WG5598	CD Diagram:	CD0008
Enclosure:	TEFC	Mfg Plant:		Mech. Spec:	34C051	Layout:	34LYC051
Frame:	48	Mounting:	F1	Poles:	04	Created Date:	
Base:	RG	Rotation:	R	Insulation:	B	Eff. Date:	09-23-2016
Leads:	7#18					Replaced By:	
Literature:		Elec. Diagram:					

Nameplate NP1257L	
CAT.NO.	L3406M
SPEC.	34C51-5598
HP	.33
VOLTS	115/230
AMP	6/3
RPM	1725
FRAME	48
SER.F.	1.35
NEMA-NOM-EFF	60
RATING	40C AMB-CONT
CC	USABLE AT 208V 3.6
DE	6203
ENCL	TEFC
	SFA 6.8/3.4

CODE	L	DES	N	CL	B	PH	1
PF	60	HZ	60				
ODE	6203						
SN							

Parts List		
Part Number	Description	Quantity
SA008579	SA 34C51-5598	1.000 EA
RA005026	RA 34C51-5598	1.000 EA
NS2512A01	INSULATOR, CONDUIT BOX X	1.000 EA
34CB3002A	CB CAST W/.88 DIA HOLE	1.000 EA
34GS1029A01	GASKET, CONDUIT BOX	1.000 EA
51XB1016A07	10-16 X 7/16 HXWSSLD SERTYB	2.000 EA
11XW1032G06	10-32 X .38, TAPTITE II, HEX WSHR SLTD U	1.000 EA
51XW0832A07	8-32 X .44, TAPTITE II, HEX WSHR SLTD SE	2.000 EA
34EP3102A01SP	FR ENDPLATE, MACH	1.000 EA
NS2500A01	INSULATOR, AUTO THER PROT	1.000 EA
WD1000A03	41531 AMP FLG.TERM,4M/REEL(2.5MIL)	1.000 EA
34CB4800SP	CAPACITOR COVER, STAMPED PRIMED	1.000 EA
51XB1016A05	10-16X5/16HX WA SL SR TYB (F/S)	2.000 EA
HW5100A03SP	WAVY WASHER (W1543-017)	1.000 EA
34EP3102A02SP	FR/PU ENDPLATE, MACH	1.000 EA
XY1032A02	10-32 HEX NUT DIRECTIONAL SERRATION	4.000 EA
34FN3002A01SP	EXTERNAL FAN, PLASTIC, .637/.639 HUB W/	1.000 EA
34FH4002A01SP	IEC FH NO GREASER PRIMED	1.000 EA
51XW1032A06	10-32 X .38, TAPTITE II, HEX WSHR SLTD S	3.000 EA
34CB4517	CB LID 4 MTG HOLES .22 DIA STAMPED, FOR	1.000 EA
34GS1031A01	GASKET, FLAT CONDUIT BOX LID (LEXIDE)	1.000 EA
51XW0832A07	8-32 X .44, TAPTITE II, HEX WSHR SLTD SE	4.000 EA
MG1000G27	MED CHARCOAL METALLIC GREY 400-0096	0.014 GA
10XF0440S02	04-40 X 1/8 TYPE F HEX HD STAINLESS STIC	2.000 EA

<b>Parts List (continued)</b>		
<b>Part Number</b>	<b>Description</b>	<b>Quantity</b>
SP5051B16	MDL 34 TORQ STAT SW,TYPE L , STD F1 & F2	1.000 EA
EC1189A02SP	61B2D120189NNBA ELEC CAP, 189-227MFD, 12	1.000 EA
34GS3000SP	GASKET, CAPACITOR BOX	1.000 EA
HA3100A12	THRUBOLT 10-32 X 7.375	4.000 EA
LB1119N	WARNING LABEL	1.000 EA
LB1087	LABEL,MANUAL RESET (ROLL LABEL)	1.000 EA
LC0008	CONNECTION LABEL	1.000 EA
NP1257L	ALUM UL CSA CC THERMAL REV MTG	1.000 EA
34PA1002	PKG GRP, PRINT PK1001A01	1.000 EA

<b>Accessories</b>		
<b>Part Number</b>	<b>Description</b>	<b>Multiplier</b>
34-3900T	C-FACE KIT	A8

**AC Induction Motor Performance Data**  
Record # 6786 - Typical performance - not guaranteed values

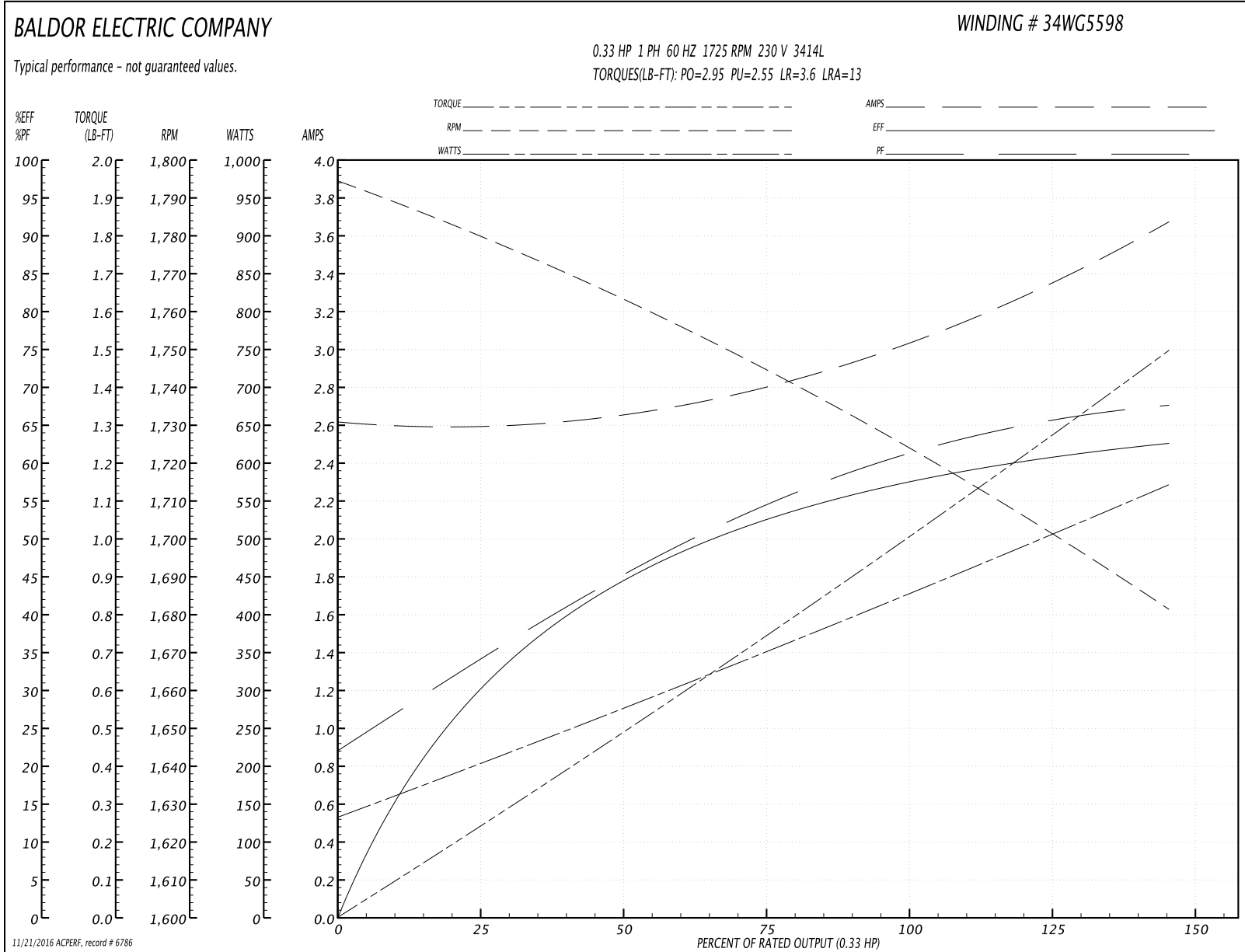
<b>Winding:</b> 34WG5598-R001	<b>Type:</b> 3414L	<b>Enclosure:</b> TEFC
-------------------------------	--------------------	------------------------

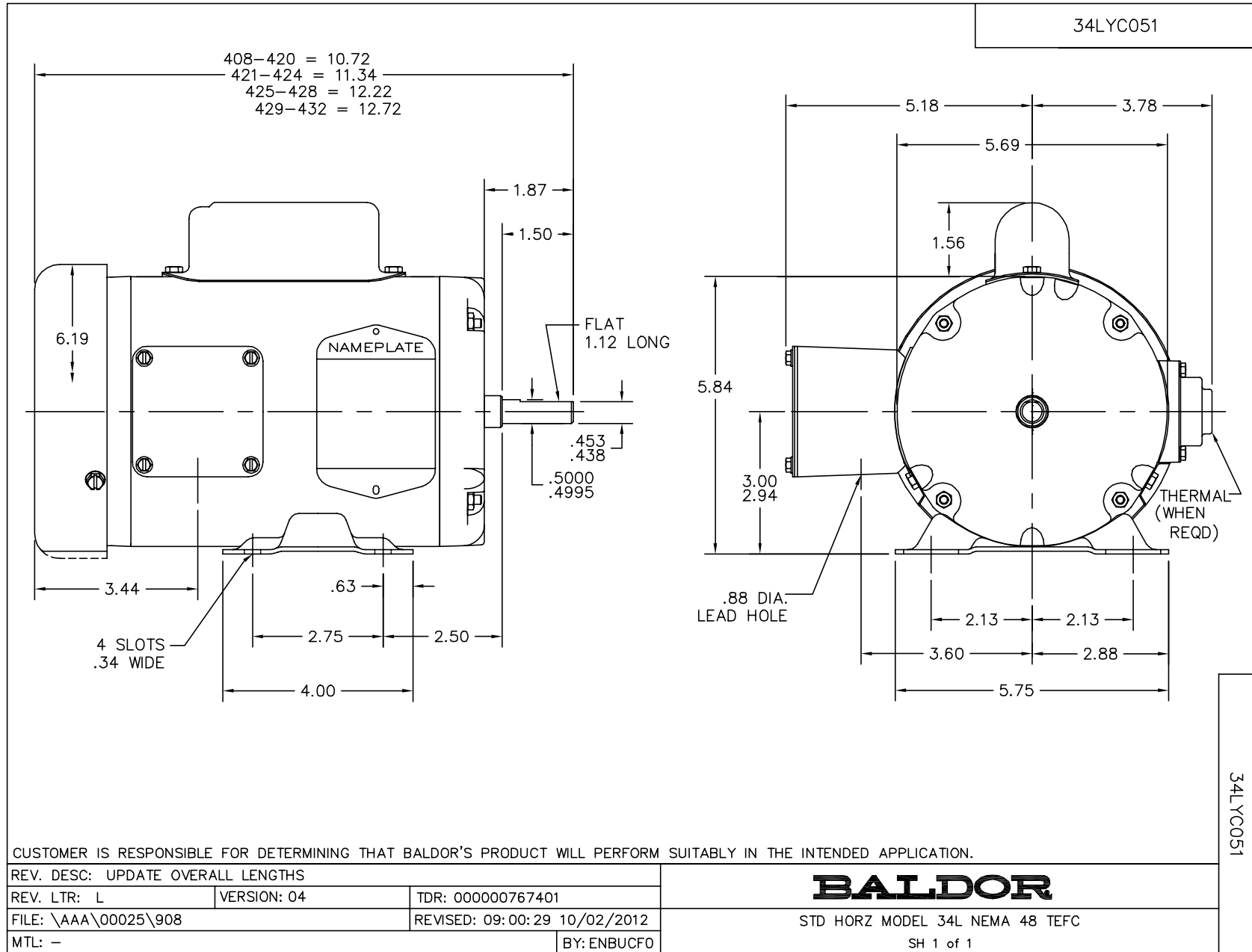
Nameplate Data				230 V, 60 Hz: High Voltage Connection	
Rated Output (HP)	.33			Full Load Torque	1 LB-FT
Volts	115/230			Start Configuration	direct on line
Full Load Amps	6/3			Breakdown Torque	2.95 LB-FT
R.P.M.	1725			Pull-up Torque	2.55 LB-FT
Hz	60	Phase	1	Locked-rotor Torque	3.6 LB-FT
NEMA Design Code	N	KVA Code	L	Starting Current	13 A
Service Factor (S.F.)	1.35			No-load Current	2.6 A
NEMA Nom. Eff.	60	Power Factor	60	Line-line Res. @ 25°C	6.32 Ω A Ph 4.93 Ω B Ph
Rating - Duty	40C AMB-CONT			Temp. Rise @ Rated Load	59°C
S.F. Amps	6.8/3.4			Temp. Rise @ S.F. Load	73°C

Load Characteristics 230 V, 60 Hz, 0.33 HP

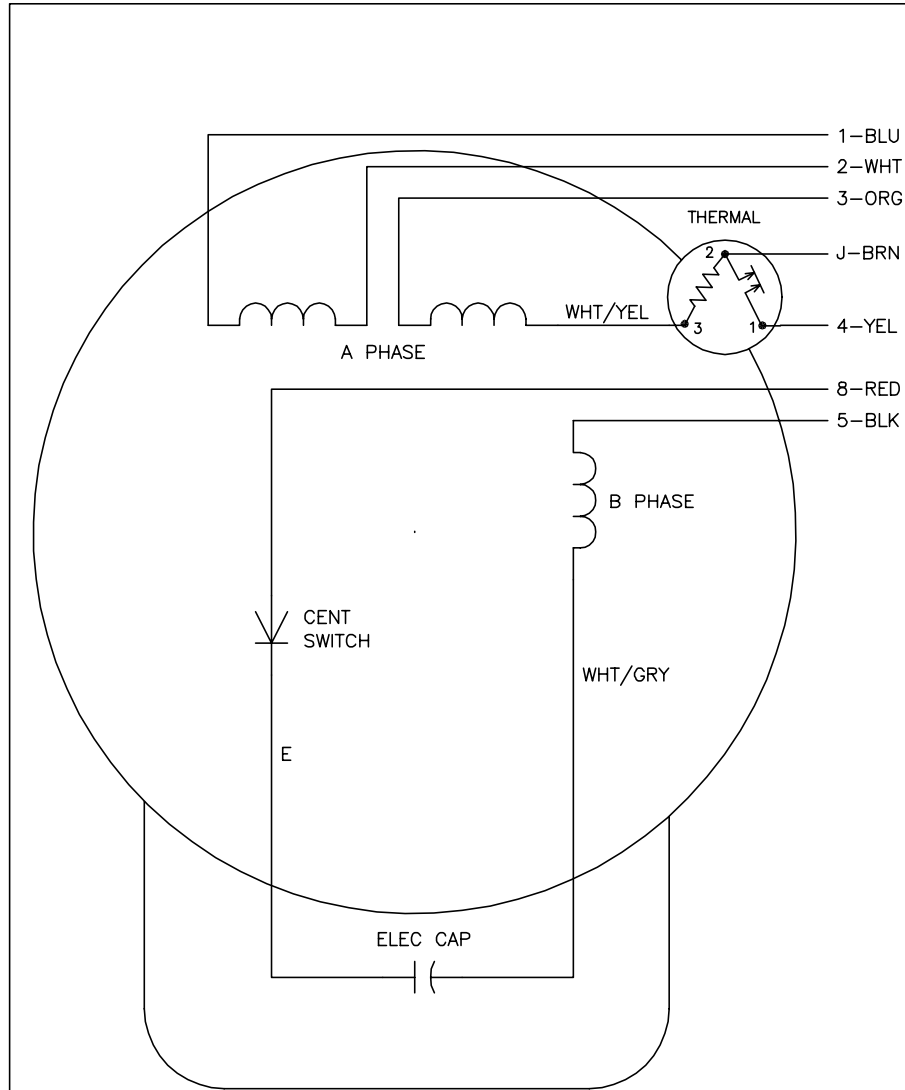
% of Rated Load	25	50	75	100	125	150	S.F.
Power Factor	31	41	52	60	67	73	71
Efficiency	33	41	52	60	61.5	61.5	61.5
Speed	1780	1760	1745	1725	1705	1680	1690
Line amperes	2.6	2.7	2.8	3	3.3	3.7	3.4

Performance Graph at 230V, 60Hz, 0.33HP Typical performance - Not guaranteed values





CD0008



	LINE A	LINE B	JOIN	JOIN
HIGH STD	1	4	2,3,8	J,5
HIGH OPP	1	4	2,3,5	J,8
LOW STD	1,3,8	4	-	2,J,5
LOW OPP	1,3,5	4	-	2,J,8

NOTES:

1. STANDARD ROTATION IS CCW FACING END OPPOSITE SHAFT EXTENSION.
2. MULTIPLE CAPACITORS ARE CONNECTED IN PARALLEL UNLESS OTHERWISE SPECIFIED.
3. LEAD COLORS ARE OPTIONAL. LEADS MUST ALWAYS BE NUMBERED AS SHOWN.

REV. DESC: REMOVE 2-TERMINAL THERMAL DETAIL, SEE CD0008A02		
REV. LTR: F	VERSION: 01	TDR: 000000360649
80000	FILE: \AAA\00007\408	REVISED: 10:56:54 04/18/2005
	MTL: -	BY: ENJOEPO

**BALDOR ELECTRIC Co.**

TYPE L, DV, REV, THERMAL, 7 LEADS

CD0008