

BALDOR® • **RELIANCE**

Product Information Packet

M1221T

1.5/.67HP, 1725/1140RPM, 3PH, 60HZ, 182T

Part Detail							
Revision:	W	Status:	PRD/A	Change #:		Proprietary:	No
Type:	AC	Prod. Type:	3623M	Elec. Spec:	36WG0456	CD Diagram:	CD0013
Enclosure:	OPEN	Mfg Plant:		Mech. Spec:	36B001	Layout:	36LYB001
Frame:	182T	Mounting:	F1	Poles:	04/06	Created Date:	
Base:	RG	Rotation:	R	Insulation:	B	Eff. Date:	04-02-2015
Leads:	6#16					Replaced By:	
Literature:		Elec. Diagram:					

Nameplate NP1256L										
CAT.NO.	M1221T									
SPEC.	36B01-456									
HP	1.5/.67									
VOLTS	460									
AMP	2.2/1.4									
RPM	1725/1140									
FRAME	182T				HZ	60			PH	3
SER.F.	1.15		CODE	H	DES	-		CLASS	B	
NEMA-NOM-EFF			PF							
RATING	40C AMB-CONT									
CC									USABLE AT 208V	
DE	6206				ODE	6205				
ENCL	OPEN		SN							

Parts List		
Part Number	Description	Quantity
SA034197	SA 36B01-456	1.000 EA
RA030225	RA 36B01-456	1.000 EA
36CB3004	36 CB CASTING W/1.09 DIA LEAD HOLE @ 6:0	1.000 EA
51XB1016A08	10-16X 1/2HXWSSLD SERTYB	2.000 EA
11XW1032G06	10-32 X .38, TAPTITE II, HEX WSHR SLTD U	1.000 EA
HW3001B01	BRASS CUP WASHER, FOR #8 SCREW	1.000 EA
36EP3200A01	FR ENDPLATE, ASSEMBLY FOR ROUTING	1.000 EA
HW4500A01	1641B(ALEMITE)400 UNIV, GREASE FITT	1.000 EA
HW5100A05	WVY WSHR F/205 & 304 BRGS	1.000 EA
36PE3201A01	PU ENDPLATE, ASSEMBLY FOR ROUTING	1.000 EA
HW4500A01	1641B(ALEMITE)400 UNIV, GREASE FITT	1.000 EA
XY2520A12	1/4-20 HEX NUT, DIRECTIONAL SERRATIONS	4.000 EA
36CB4516	36 LIPPED CB LID	1.000 EA
51XW0832A07	8-32 X .44, TAPTITE II, HEX WSHR SLTD SE	4.000 EA
HW2501E16	3KEY, 1/4 SQ X 1.750	1.000 EA
HA7000A02	KEY RETAINER RING, 1 1/8 DIA, 1 3/8 DIA	1.000 EA
85XU0407S04	4X1/4 U DRIVE PIN STAINLESS	2.000 EA
MJ1000A02	GREASE, POLYREX EM EXXON (USe 4824-15A)	0.050 LB
MG1000G27	MED CHARCOAL METALLIC GREY 400-0096	0.022 GA
HA3101A23	THRUBOLT 1/4-20 X 9.625 DEMBY	4.000 EA
LB1119N	WARNING LABEL	1.000 EA
LC0013	CONNECTION LABEL	1.000 EA
NP1256L	ALUM UL CSA CC	1.000 EA
36PA1000	PKG GRP, PRINT PK1016A06	1.000 EA

Parts List (continued)		
Part Number	Description	Quantity
MN416A01	TAG-INSTAL-MAINT no wire (1200/bx) 11/14	1.000 EA

Accessories		
Part Number	Description	Multiplier
36-3403	C FACE KIT	A8
36EP1405A09SP	D-FLANGE KIT	A8

AC Induction Motor Performance Data

Record # 10485 - Typical performance - not guaranteed values

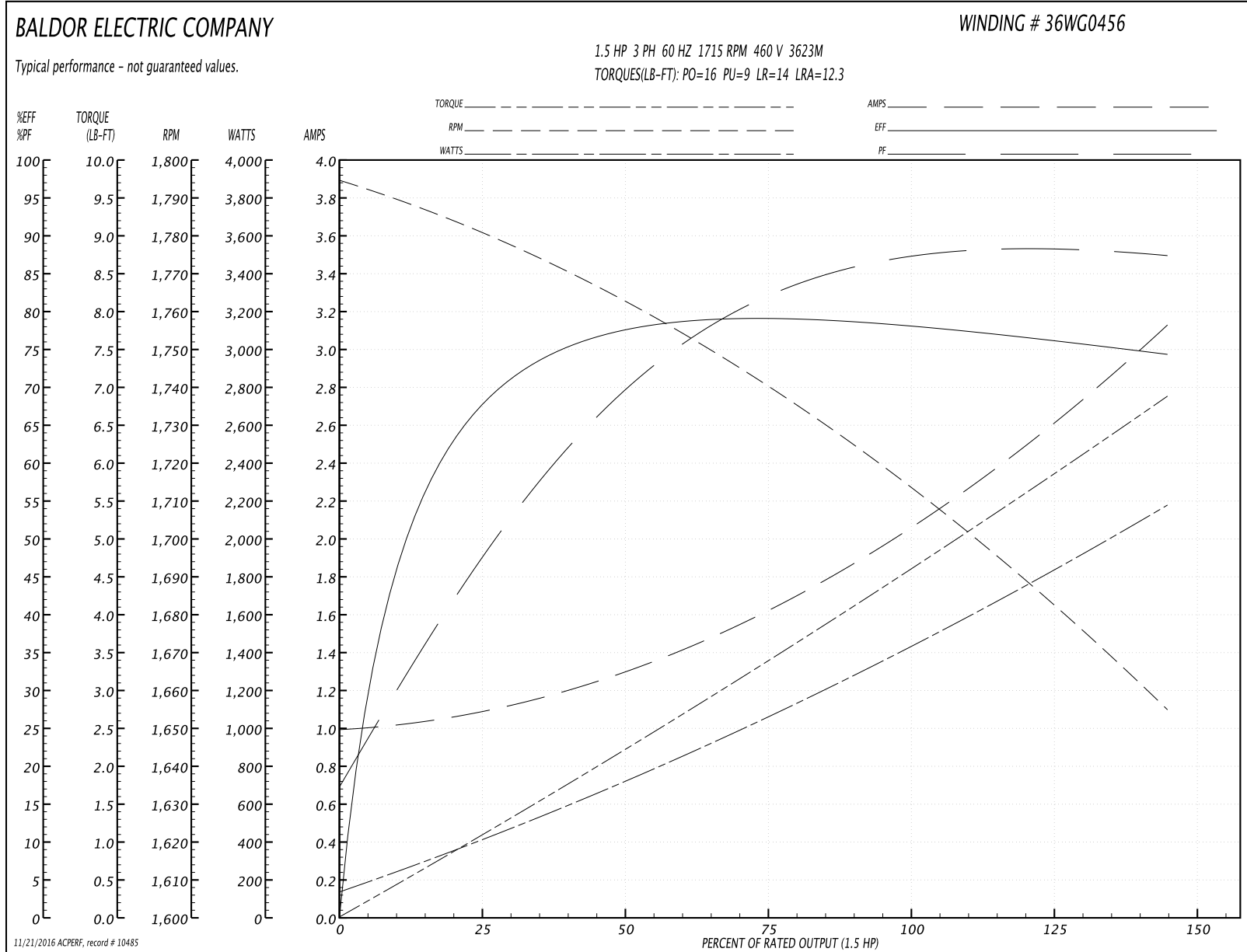
Winding: 36WG0456-R001	Type: 3623M	Enclosure: OPEN
-------------------------------	--------------------	------------------------

Nameplate Data				460 V, 60 Hz: High Speed Connection	
Rated Output (HP)	1.5/.67			Full Load Torque	4.6 LB-FT
Volts	460			Start Configuration	direct on line
Full Load Amps	2.2/1.4			Breakdown Torque	16 LB-FT
R.P.M.	1725/1140			Pull-up Torque	9 LB-FT
Hz	60	Phase	3	Locked-rotor Torque	14 LB-FT
NEMA Design Code	-	KVA Code	H	Starting Current	12.3 A
Service Factor (S.F.)	1.15			No-load Current	1 A
NEMA Nom. Eff.	0	Power Factor	0	Line-line Res. @ 25°C	20.2 Ω
Rating - Duty	40C AMB-CONT			Temp. Rise @ Rated Load	28°C
S.F. Amps				Temp. Rise @ S.F. Load	39°C

Load Characteristics 460 V, 60 Hz, 1.5 HP

% of Rated Load	25	50	75	100	125	150	S.F.
Power Factor	48	70	81	87	90	92	0
Efficiency	66.9	76.8	79	78.7	76.9	73.9	0
Speed	1779	1760	1739	1715	1687	1653	0
Line amperes	1.1	1.3	1.6	2.1	2.6	3.1	2.3

Performance Graph at 460V, 60Hz, 1.5HP Typical performance - Not guaranteed values



AC Induction Motor Performance Data

Record # 10486 - Typical performance - not guaranteed values

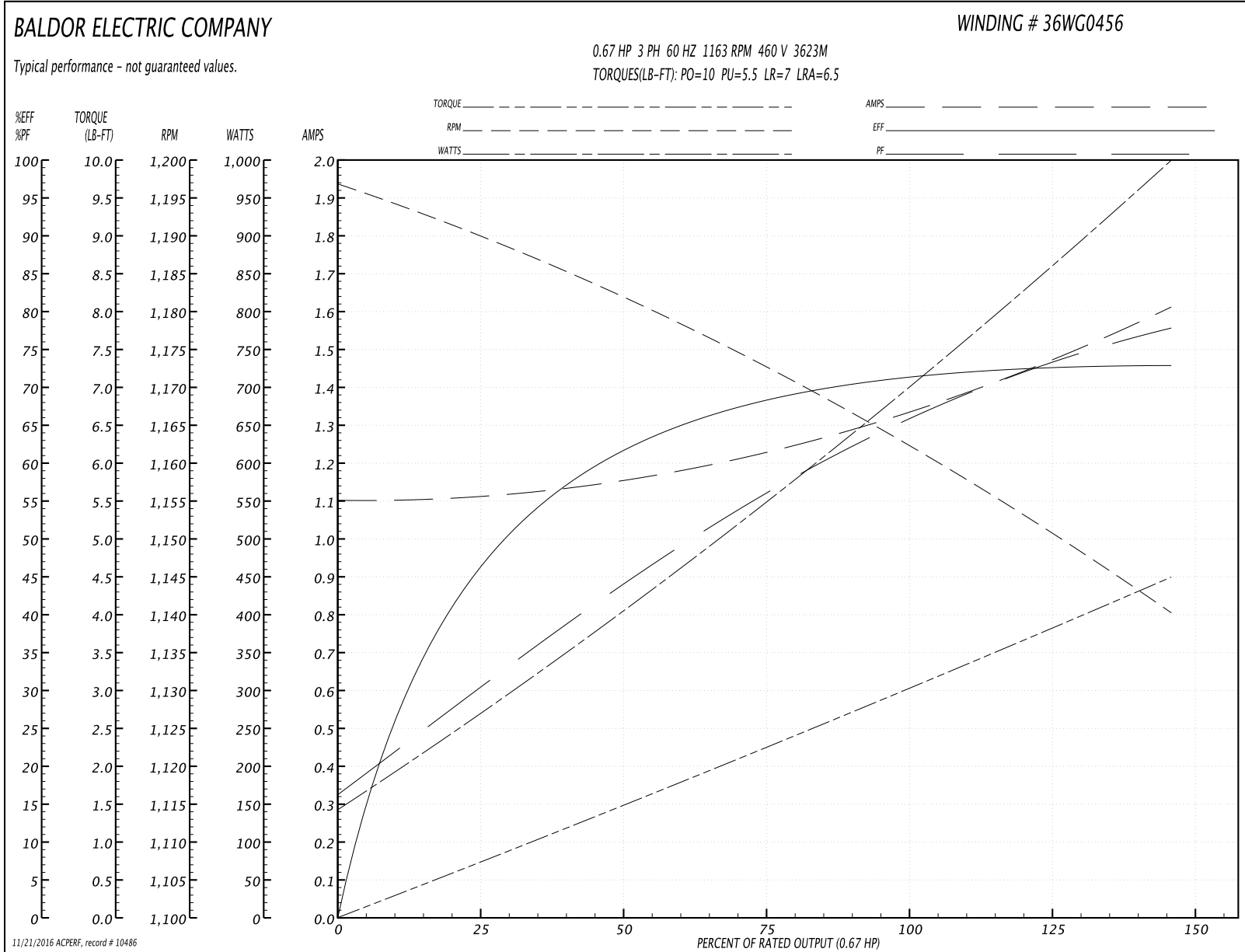
Winding: 36WG0456-R001	Type: 3623M	Enclosure: OPEN
-------------------------------	--------------------	------------------------

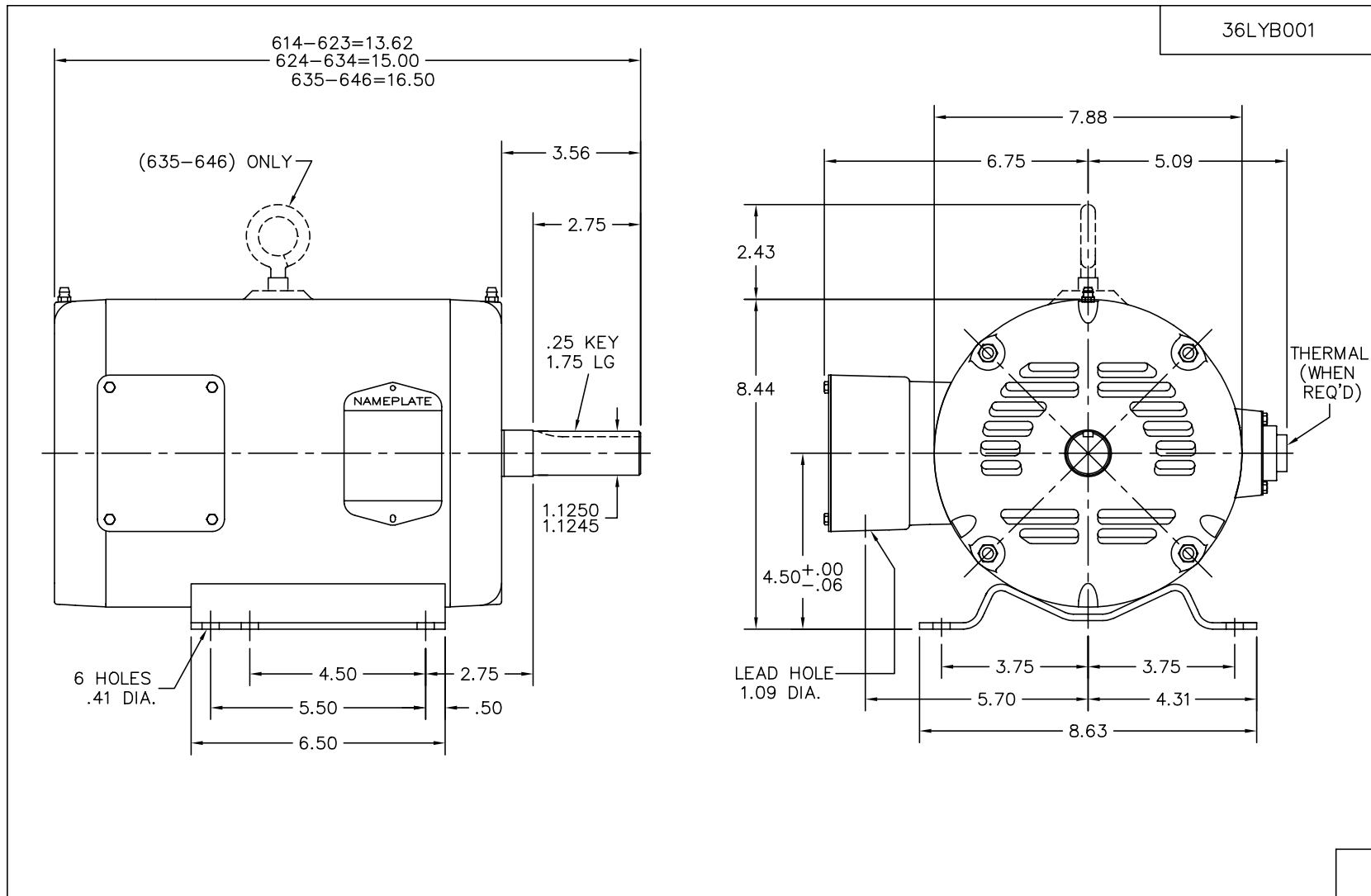
Nameplate Data				460 V, 60 Hz: Low Speed Connection	
Rated Output (HP)	1.5/.67			Full Load Torque	3 LB-FT
Volts	460			Start Configuration	direct on line
Full Load Amps	2.2/1.4			Breakdown Torque	10 LB-FT
R.P.M.	1725/1140			Pull-up Torque	5.5 LB-FT
Hz	60	Phase	3	Locked-rotor Torque	7 LB-FT
NEMA Design Code	-	KVA Code	H	Starting Current	6.5 A
Service Factor (S.F.)	1.15			No-load Current	1.1 A
NEMA Nom. Eff.	0	Power Factor	0	Line-line Res. @ 25°C	35.1 Ω
Rating - Duty	40C AMB-CONT			Temp. Rise @ Rated Load	26°C
S.F. Amps				Temp. Rise @ S.F. Load	34°C

Load Characteristics 460 V, 60 Hz, 0.67 HP

% of Rated Load	25	50	75	100	125	150	S.F.
Power Factor	30	44	55	65	72	78	0
Efficiency	46.1	61.5	68.4	71.5	72.7	72.7	0
Speed	1190	1181	1173	1163	1152	1140	0
Line amperes	1.1	1.2	1.2	1.3	1.5	1.6	1.4

Performance Graph at 460V, 60Hz, 0.67HP Typical performance - Not guaranteed values





36LYB001

CUST. NAME		CUST. P.O.		CERTIFIED BY		MODEL		INSUL		AMB							
H.P.		MTG		TYPE		R.P.M.		VOLTS		ENCL		PHASE		FREQ		FRAME	
REV. DESC: CHG'D TO HAVE NEW NEC CONDUIT BOX												<h2>BALDOR ELECTRIC Co.</h2> <p>STANDARD HORZ NEMA 182-4T OPEN 36M</p>					
REV. LTR: M		BY: JD		REVISED: 05/19/99 3:45				TDR: 0181963									
36LYB001				FILE: AAA00002559				MDL: -									
MTL: -																	

36LYB001

