

# **BALDOR**® • ***RELIANCE***

## **Product Information Packet**

# **M3539-TP**

**.5HP/1140RPM/TEFC/56**

Part Detail							
Revision:	AL	Status:	PRD/A	Change #:		Proprietary:	No
Type:	AC	Prod. Type:	3516M	Elec. Spec:	35WGZ007	CD Diagram:	CD0007
Enclosure:	TEAO	Mfg Plant:		Mech. Spec:	35F512	Layout:	35LYF512
Frame:	56	Mounting:	F1	Poles:	06	Created Date:	
Base:	N	Rotation:	R	Insulation:	B	Eff. Date:	06-15-2015
Leads:	12#18					Replaced By:	
Literature:		Elec. Diagram:					

<b>Nameplate NP1257E</b>												
CAT.NO.	M3539-TP											
SPEC.	35F512Z07											
HP	.5											
VOLTS	208-230/460											
AMP	2.5-2.4/1.2											
RPM	1140											
FRAME	56					HZ	60			PH	3	
SER.F.	1.25					CODE	L		DES	B	CL	B
NEMA-NOM-EFF	70					PF	55					
RATING	40C AMB-CONT											
CC										USABLE AT 208V	2.7	
DE	6205					ODE	6203					
ENCL	TEAO					SN						
	SFA 2.7-2.6/1.3											

Nameplate NP1088	
CAT.NO.	M3539-TP
SPEC.	35F512Z07
FRAME	56
SER.	
HP	.5 TE
VOLTS	190/380
AMPS	2.6/1.3
RPM	950
HZ	50
PH	3 CL B
SER.F.	1.00
DES	B CODE H
FL EFF	--
PF	--
RATING	40C AMB-CONT
	SFA 2.7-2.6/1.3

Parts List		
Part Number	Description	Quantity
SA024814	SA 35F512Z07	1.000 EA
RA020864	RA 35F512Z07	1.000 EA
SP1003A01	TERM. BOARD, MODE 35 SW X H-23655	1.000 EA
51XW0832A07	8-32 X .44, TAPTITE II, HEX WSHR SLTD SE	3.000 EA
51XW0832A07	8-32 X .44, TAPTITE II, HEX WSHR SLTD SE	2.000 EA
53XT0832G07	8-32X7/16 PN STD SR TY23G X	1.000 EA
35EP3102A01SP	FR ENDPLATE, MACH	1.000 EA
HW5100A03SP	WAVY WASHER (W1543-017)	1.000 EA
RM1001A01	GROMMET "MIDSTATES"	1.000 EA
35EP3101A02SP	STD PU ENDPLATE-ENCL-205 BRG LESS GREASE	1.000 EA
XY1032A02	10-32 HEX NUT DIRECTIONAL SERRATION	4.000 EA
35CB4500SP	TERMINAL BOX LID STAMPED	1.000 EA
35GS1002	GASKET,1/16 THICK LEXIDE	1.000 EA
HW2501D13	KEY, 3/16 SQ X 1.375	1.000 EA
HA7000A04	KEY RETAINER 0.625 DIA SHAFTS	1.000 EA
85XU0407S04	4X1/4 U DRIVE PIN STAINLESS	2.000 EA
MJ1000A04	AEROSHELL #7	0.050 LB
MG1000G27	MED CHARCOAL METALLIC GREY 400-0096	0.017 GA
HA3100A15	THRUBOLT 10-32 X 8.375	4.000 EA
LB1118	LABEL,WARNING (ROLL LABEL)	1.000 EA
LC0007	CONNECTION LABEL	1.000 EA
NP1257E	ALUM UL CSA CC THERMAL REV MTG	1.000 EA
NP1088	NP LABEL AUXILIARY NAMEPLATE-SELF STICKI	1.000 EA
35PA1066	PKG GRP, PRINT PK1008A06	1.000 EA

<b>Parts List (continued)</b>		
<b>Part Number</b>	<b>Description</b>	<b>Quantity</b>
MN416A01	TAG-INSTAL-MAINT no wire (1200/bx) 11/14	1.000 EA

**AC Induction Motor Performance Data**  
Record # 20611 - Typical performance - not guaranteed values

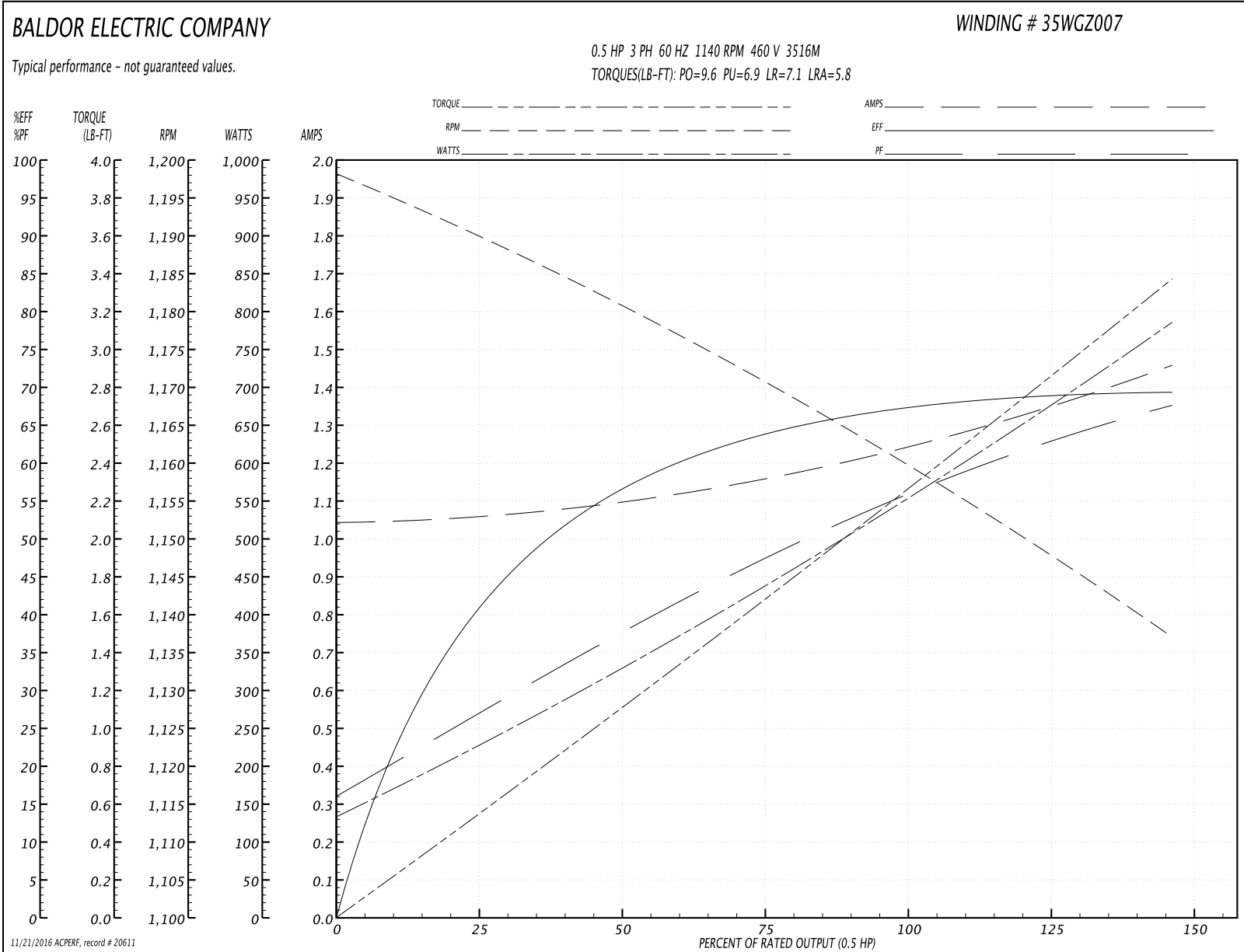
<b>Winding:</b> 35WGZ007-R001	<b>Type:</b> 3516M	<b>Enclosure:</b> TEFC
-------------------------------	--------------------	------------------------

Nameplate Data				460 V, 60 Hz: High Voltage Connection	
Rated Output (HP)	.5			Full Load Torque	2.25 LB-FT
Volts	208-230/460			Start Configuration	direct on line
Full Load Amps	2.5-2.4/1.2			Breakdown Torque	9.6 LB-FT
R.P.M.	1140			Pull-up Torque	6.9 LB-FT
Hz	60	Phase	3	Locked-rotor Torque	7.1 LB-FT
NEMA Design Code	B	KVA Code	L	Starting Current	5.8 A
Service Factor (S.F.)	1.25			No-load Current	1.05 A
NEMA Nom. Eff.	70	Power Factor	55	Line-line Res. @ 25°C	37.1 Ω
Rating - Duty	40C AMB-CONT			Temp. Rise @ Rated Load	47°C
S.F. Amps	2.7-2.6/1.3			Temp. Rise @ S.F. Load	52°C
				Locked-rotor Power Factor	71
				Rotor inertia	0.0949 LB-FT <sup>2</sup>

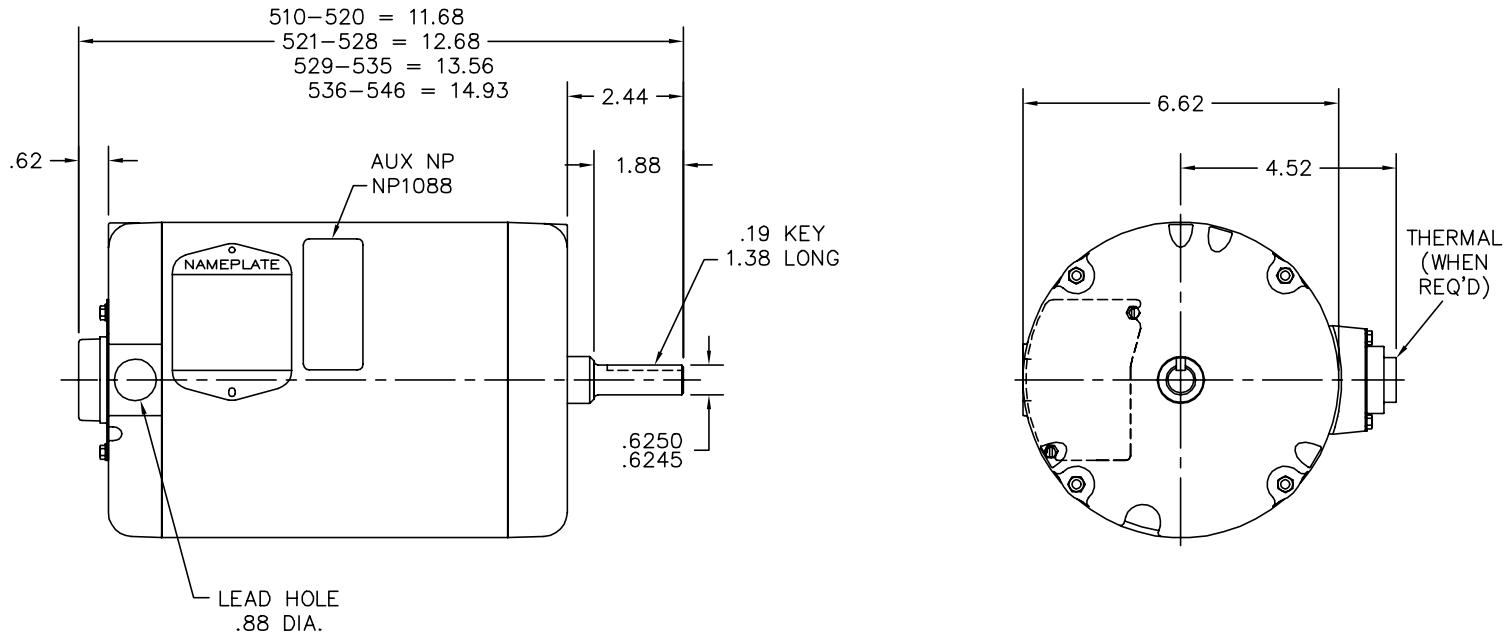
Load Characteristics 460 V, 60 Hz, 0.5 HP

% of Rated Load	25	50	75	100	125	150	S.F.
Power Factor	25	37	47	56	63	68	60
Efficiency	39	57	64	68	69	69	68.6
Speed	1190	1181	1170	1160	1149	1137	1153
Line amperes	1.05	1.1	1.15	1.25	1.35	1.45	1.31

Performance Graph at 460V, 60Hz, 0.5HP Typical performance - Not guaranteed values



35LYF512



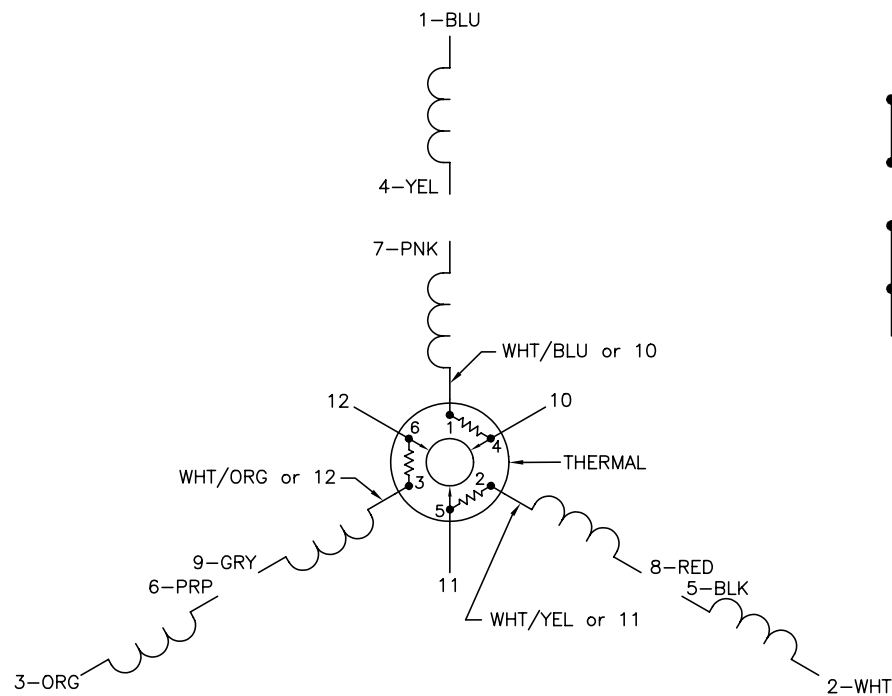
CUSTOMER IS RESPONSIBLE FOR DETERMINING THAT MOTOR PERFORMANCE IS SUITABLE IN THE APPLICATION.

REV. DESC: "AUX NP" WAS "50HZ NP"			
REV. LTR: H	BY: SSS	REVISED: 14: 48: 39 09/26/2001	TDR: 250727
35LYF512		FILE: AAA00028829	REF: 35LYF512
		MTL: -	

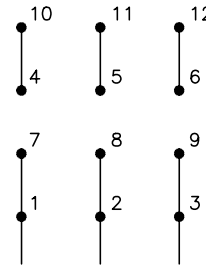
<b>BALDOR ELECTRIC Co.</b>
SPL HOR 35M TENV 56 LESS BASE W/TERM PANEL & NP ON FR END

35LYF512

CD0007

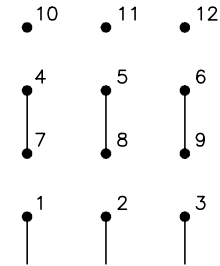


LOW VOLTAGE  
(2Y)



LINE

HIGH VOLTAGE  
(1Y)



LINE

NOTES:

1. INTERCHANGE ANY TWO LINE LEADS TO REVERSE ROTATION.
2. ACTUAL NUMBER OF INTERNAL PARALLEL CIRCUITS MAY VARY.
3. LEAD COLORS ARE OPTIONAL. LEADS MUST ALWAYS BE NUMBERED AS SHOWN.

REV. DESC: ADDED "CK" PLANT CODE			
REV. LTR: E	BY: EAH	REVISED: 05/06/99 17:1	TDR: 0181040
L00000		FILE: AAA00008370	MDL: -
		MTL: -	

**BALDOR ELECTRIC Co.**

3PH, DV, THERMAL, 12 LEADS

CD0007