

# **BALDOR**® • ***RELIANCE***

## **Product Information Packet**

# **OF3330T**

**30HP, 1120RPM, 3PH, 60HZ, 326T, 4248M, OPSB, F2**

Part Detail							
Revision:	H	Status:	PRD/A	Change #:		Proprietary:	No
Type:	AC	Prod. Type:	4248M	Elec. Spec:	42WGW918	CD Diagram:	CD0022
Enclosure:	OPSB	Mfg Plant:		Mech. Spec:	42F82	Layout:	42LYF082
Frame:	326T	Mounting:	F2	Poles:	06	Created Date:	06-13-2011
Base:	RG	Rotation:	R	Insulation:	F	Eff. Date:	08-26-2016
Leads:	6#8 ML4400B08					Replaced By:	
Literature:		Elec. Diagram:					

Nameplate NP2961E											
CAT.NO.	OF3330T										
SPEC.	42F082W918										
HP	30										
VOLTS	460/796										
AMP	41/24										
RPM	1120										
FRAME	326T				HZ	60		PH	3		
SER.F.	1.15			CODE	G		DES	D		CLASS	F
NEMA-NOM-EFF	85.5			PF	79						
RATING	40C AMB-CONT										
CC									USABLE AT 208V		
DE	6312				ODE	6311					
ENCL	OPSB			SN							

Parts List		
Part Number	Description	Quantity
SA225489	SA 42F082W918	1.000 EA
RA212585	RA 42F082W918	1.000 EA
HA6360	LIFTING LUG FOR 42 FRAME MOTORS.	2.000 EA
HA6017	CAST ADAPTER, 40,42 KOBX	1.000 EA
19XW3118A12	.31-18 X .75 HEX WASHER HEAD TAPTITE II	2.000 EA
HW1001A31	LOCKWASHER 5/16, ZINC PLT.591 OD, .319 I	2.000 EA
10CB1000A04SP	CONDUIT BOX, MACH	1.000 EA
10GS1001	GASKET CONDUIT BOX NEOP	1.000 EA
19XW3118A16	.31-18 HEX WASHER HEAD TAPTITE II 1.00 L	4.000 EA
HW1001A31	LOCKWASHER 5/16, ZINC PLT.591 OD, .319 I	4.000 EA
WD1000B16	T&B CX70TN TERMINAL	1.000 EA
10XN2520K08	1/4-20 X .50 GRADE #5, STL, ZINC PLATE	1.000 EA
HW1001A25	LOCKWASHER 1/4, ZINC PLT .493 OD, .255 I	1.000 EA
42EP1201A01	FR ENDPLATE, MACH	1.000 EA
HA4051A00	PLASTIC CAP FOR GREASE FITTING	1.000 EA
HA1103A07	42-40 RODENT SCREEN	1.000 EA
12XN0832A12	8-32 X 3/4 HEX HD SCREW	2.000 EA
12XN0832A06	8-32 X 3/8 HEX HD SCREW	1.000 EA
HW1000A08	#8 SAE FLAT WASHER	1.000 EA
HW1000A08	#8 SAE FLAT WASHER	2.000 EA
HA1103A07	42-40 RODENT SCREEN	1.000 EA
12XN0832A06	8-32 X 3/8 HEX HD SCREW	1.000 EA
HW1000A08	#8 SAE FLAT WASHER	1.000 EA
12XN0832A12	8-32 X 3/4 HEX HD SCREW	2.000 EA

<b>Parts List (continued)</b>		
<b>Part Number</b>	<b>Description</b>	<b>Quantity</b>
HW1000A08	#8 SAE FLAT WASHER	2.000 EA
XY0832A02	8-32 HEX NUT	2.000 EA
HW5100A13	W4627-047 WVY WSHER	1.000 EA
42EP1201A03	PU ENDPLATE, MACH	1.000 EA
HA4051A00	PLASTIC CAP FOR GREASE FITTING	1.000 EA
XY0832A02	8-32 HEX NUT	2.000 EA
10XN3118K40	5/16-18 X 2.50" HEX HD, GRADE 5	4.000 EA
HW1001A31	LOCKWASHER 5/16, ZINC PLT.591 OD, .319 I	4.000 EA
XY5013A12	NUT,1/2-13,HEX,STEEL,ZINCPLATED	8.000 EA
10CB1500A01SP	CONDUIT BOX LID, MACH	1.000 EA
14GS1003	GASKET CONDUIT BOX LID, NEOP	1.000 EA
10XN2520K16	1/4-20 X 1" HX HD SCRW GRADE 5, ZINC P	4.000 EA
HW1001A25	LOCKWASHER 1/4, ZINC PLT .493 OD, .255 I	4.000 EA
HW2501H33	KEY, 1/2 SQ X 3.875	1.000 EA
LB1115N	LABEL,LIFTING DEVICE (ON ROLLS)	1.000 EA
HW4500A03	GREASE FITTING, .125 NPT 1610(ALEMITE) 8	1.000 EA
HW4500A17	317400 ALEMITE GREASE RELIEF	1.000 EA
MJ1000A02	GREASE, POLYREX EM EXXON (USe 4824-15A)	0.030 LB
HW4500A03	GREASE FITTING, .125 NPT 1610(ALEMITE) 8	1.000 EA
HW4500A17	317400 ALEMITE GREASE RELIEF	1.000 EA
MG1025G03	WILKOFAS, 789.901, OIL RIG SILVER	0.080 GA
85XU0407S04	4X1/4 U DRIVE PIN STAINLESS	2.000 EA
42AD2001A01	BAFFLE PLATE 42 OPEN, SLOTTED BAND MTRS	1.000 EA
42AD2001A01	BAFFLE PLATE 42 OPEN, SLOTTED BAND MTRS	1.000 EA

Product Information Packet: OF3330T - 30HP,1120RPM,3PH,60HZ,326T,4248M,OPSB,F2

HA3151A02	THRUBOLT STUD 1/2-13 X 19.25	4.000 EA
LB1119N	WARNING LABEL	1.000 EA
LB1003	LABEL,OIL FIELD PUMP DUTY	1.000 EA
LC0034	CONNECTION LABEL	1.000 EA
NP2961E	ALUM CSA CC	1.000 EA
42PA1000	PACKAGING GROUP PRINT PK1024A06	1.000 EA
MN416A01	TAG-INSTAL-MAINT no wire (1200/bx) 11/14	1.000 EA

**AC Induction Motor Performance Data**

Record # 34426 - Typical performance - not guaranteed values

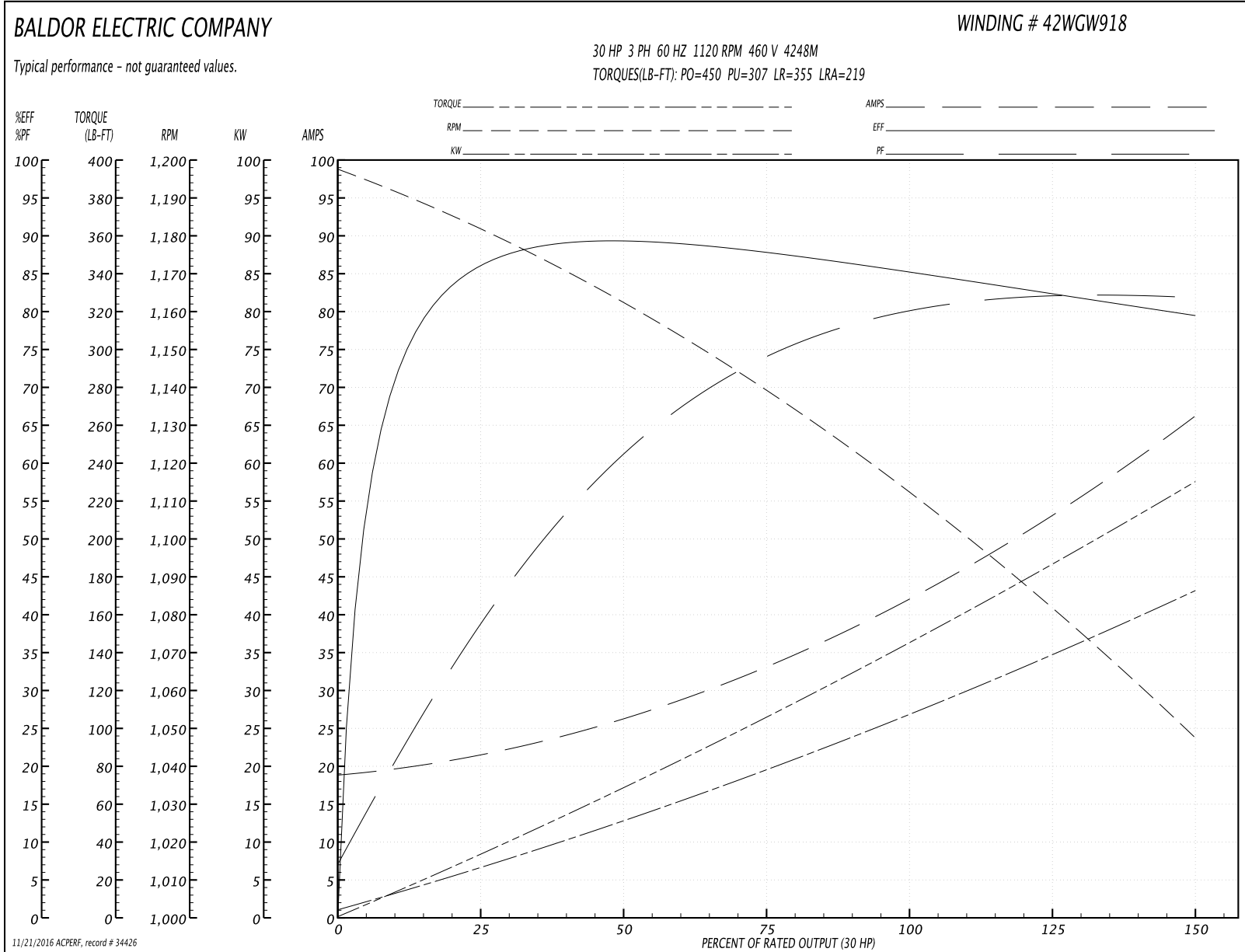
<b>Winding:</b> 42WGW918-R001	<b>Type:</b> 4248M	<b>Enclosure:</b> OPSB
-------------------------------	--------------------	------------------------

Nameplate Data				460 V, 60 Hz: Low Voltage Connection	
Rated Output (HP)	30			Full Load Torque	140 LB-FT
Volts	460/796			Start Configuration	direct on line
Full Load Amps	41/24			Breakdown Torque	450 LB-FT
R.P.M.	1120			Pull-up Torque	307 LB-FT
Hz	60	Phase	3	Locked-rotor Torque	355 LB-FT
NEMA Design Code	D	KVA Code	G	Starting Current	219 A
Service Factor (S.F.)	1.15			No-load Current	19.4 A
NEMA Nom. Eff.	85.5	Power Factor	79	Line-line Res. @ 25°C	0.243 Ω
Rating - Duty	40C AMB-CONT			Temp. Rise @ Rated Load	81°C
S.F. Amps				Temp. Rise @ S.F. Load	103°C

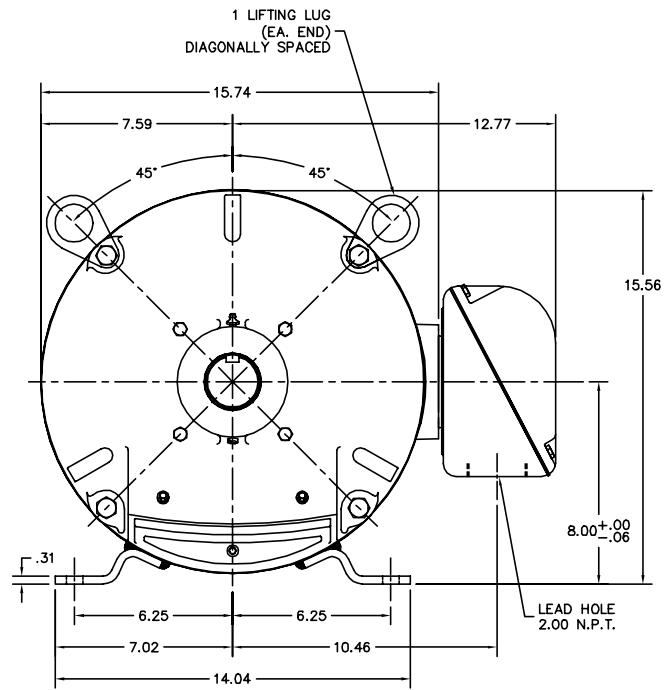
Load Characteristics 460 V, 60 Hz, 30 HP

% of Rated Load	25	50	75	100	125	150	S.F.
Power Factor	41	62	73	79	81	82	80
Efficiency	83.9	87.6	88.1	86.1	83.3	79.1	84.4
Speed	1181	1162	1141	1117	1088	1046	1100
Line amperes	20.6	25.7	32.8	41.2	51.6	66	47.4

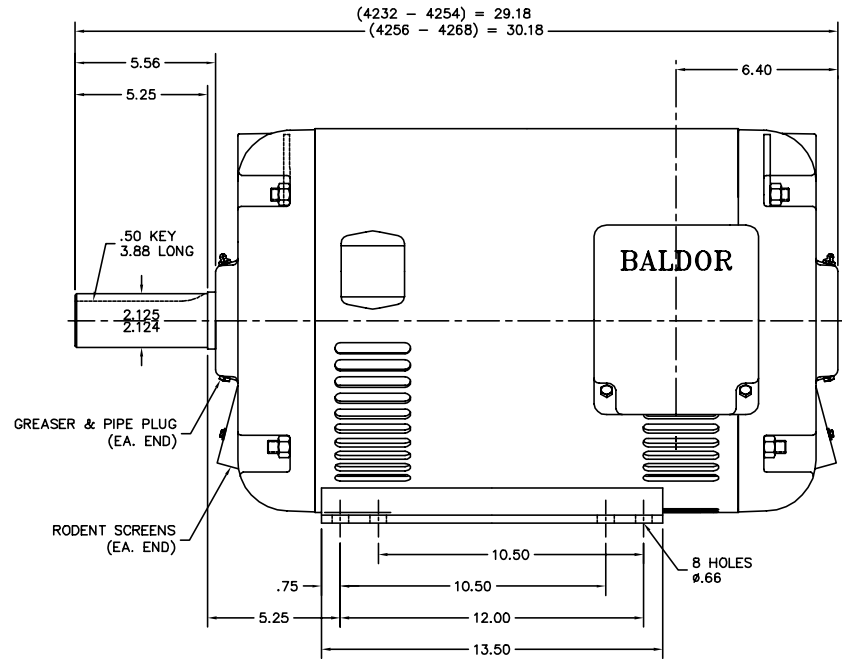
Performance Graph at 460V, 60Hz, 30.0HP Typical performance - Not guaranteed values



42LYF082



OIL FIELD PUMP DUTY



CUSTOMER IS RESPONSIBLE FOR DETERMINING THAT MOTOR PERFORMANCE IS SUITABLE IN THE APPLICATION.

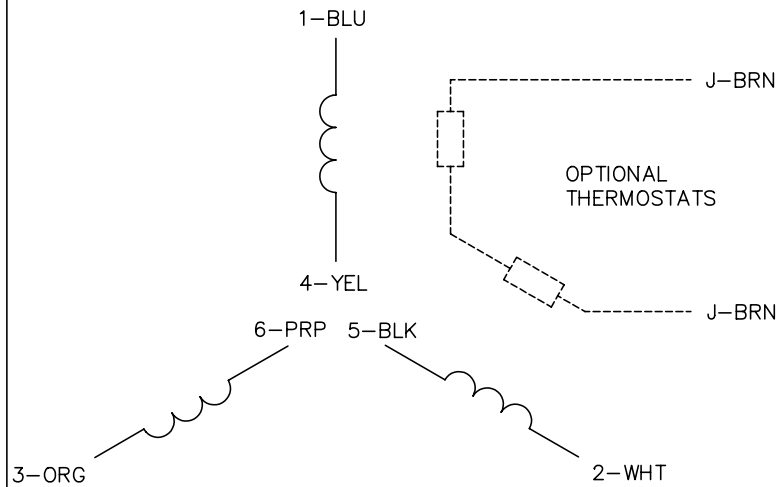
REV. DESC: ADD GASKETS			
REV. LTR: G	BY: JIM	REVISED: 16:39:21 05/21/2003	TDR: 302187
FILE: AAA00014141		REF: 42LYF082	
MTL: -			

**BALDOR ELECTRIC Co.**

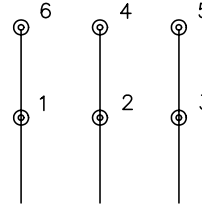
HOR OPSB 324-6T OFP F2

42LYF082

CD0022

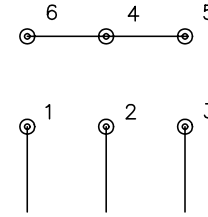


LOW VOLTAGE  
(1D)



LINE

HIGH VOLTAGE  
(1Y)



LINE

NOTES:

1. INTERCHANGE ANY TWO LINE LEADS TO REVERSE ROTATION.
2. OPTIONAL THERMOSTATS ARE PROVIDED WHEN SPECIFIED.
3. ACTUAL NUMBER OF INTERNAL PARALLEL CIRCUITS MAY BE A MULTIPLE OF THOSE SHOWN ABOVE.
4. LEAD COLORS ARE OPTIONAL. LEADS MUST ALWAYS BE NUMBERED AS SHOWN.

REV. DESC: REVISE TO SHOW OPTIONAL COLORS

REV. LTR: F

BY: JLP

REVISED: 01/21/99 3:54

TDR: 0171435

CD0022

FILE: AAA00005144

MDL: -

MTL: -

**BALDOR ELECTRIC Co.**

3PH, DV, 6 LEADS, DELTA/WYE CONNECTION

CD0022