

BALDOR® • RELIANCE

Product Information Packet

VL3509-50

1HP,2850RPM,1PH,50HZ,56C,3524L,TEFC,F1

| Part Detail | | | | | | | |
|-------------|---------------------|----------------|-------|-------------|----------|---------------|------------|
| Revision: | AU | Status: | PRD/A | Change #: | | Proprietary: | No |
| Type: | AC | Prod. Type: | 3524L | Elec. Spec: | 35WGY962 | CD Diagram: | CD0001 |
| Enclosure: | TEFC | Mfg Plant: | | Mech. Spec: | 35C013 | Layout: | 35LYC013 |
| Frame: | 56C | Mounting: | F1 | Poles: | 02 | Created Date: | 06-21-2007 |
| Base: | N | Rotation: | R | Insulation: | B | Eff. Date: | 07-26-2016 |
| Leads: | 4#16 A PH,2#18 B PH | | | | | Replaced By: | |
| Literature: | | Elec. Diagram: | | | | | |

| Nameplate NP1372L | | | | | | | | | | |
|-------------------|--------------|--|------|----|-----|------|--|----|----------------|---|
| CAT.NO. | VL3509-50 | | | | | | | | | |
| SPEC. | 35C13Y962 | | | | | | | | | |
| HP | 1 | | | | | | | | | |
| VOLTS | 110/220 | | | | | | | | | |
| AMP | 12.6/6.3 | | | | | | | | | |
| RPM | 2850 IP54 | | | | | | | | | |
| FRAME | 56C | | | | HZ | 50 | | | PH | 1 |
| SER.F. | 1.25 | | CODE | H | DES | N | | CL | B | |
| NEMA-NOM-EFF | 68 | | PF | 84 | | | | | | |
| RATING | 40C AMB-CONT | | | | | | | | | |
| CC | | | | | | | | | USABLE AT 208V | |
| DE | 6205 | | | | ODE | 6203 | | | | |
| ENCL | TEFC | | SN | | | | | | | |
| | SFA 15/7.5 | | | | | | | | | |

| Parts List | | |
|---------------|---|----------|
| Part Number | Description | Quantity |
| SA022590 | SA 35C13Y962 | 1.000 EA |
| RA018640 | RA 35C13Y962 | 1.000 EA |
| EC1400A03SP | ELEC CAP, 400-480 MFD, 125V, 1.81D X 3. | 1.000 EA |
| NS2512A01 | INSULATOR, CONDUIT BOX X | 1.000 EA |
| 35CB3007 | 35 CB CASTING W/.88 DIA. LEAD HOLE | 1.000 EA |
| 36GS1000 | GASKET-CONDUIT BOX, .06 THICK #SV-330 LE | 1.000 EA |
| 51XB1016A07 | 10-16 X 7/16 HXWSSLD SERTYB | 2.000 EA |
| 11XW1032G06 | 10-32 X .38, TAPTITE II, HEX WSHR SLTD U | 1.000 EA |
| 35EP3100M02 | FREP TEFC 203 BRG W/O GR SR (RAISED FH MT | 1.000 EA |
| 51XW0832A07 | 8-32 X .44, TAPTITE II, HEX WSHR SLTD SE | 2.000 EA |
| NS2501A01 | INSULATOR, CAPACITOR | 1.000 EA |
| 51XB1016A05 | 10-16X5/16HX WA SL SR TYB (F/S) | 2.000 EA |
| HW5100A03SP | WAVY WASHER (W1543-017) | 1.000 EA |
| 35EP3300A33 | SPL FACE MTD EP -ENCL-205 BRG | 1.000 EA |
| 51XN1032A20 | 10-32 X 1 1/4 HX WS SL SR | 2.000 EA |
| 51XB1214A16 | 12-14X1.00 HXWSSLD SERTYB | 1.000 EA |
| 35FH4005A32SP | IEC FH NO GR SR W/3 HOLES - PRIMED | 1.000 EA |
| 51XW1032A06 | 10-32 X .38, TAPTITE II, HEX WSHR SLTD S | 3.000 EA |
| 35CB4521 | 35 LIPPED CB LID (GALV & PHOSPH) | 1.000 EA |
| 35GS1030 | 35 GS FOR CB LID - LEXIDE | 1.000 EA |
| 51XW0832A07 | 8-32 X .44, TAPTITE II, HEX WSHR SLTD SE | 4.000 EA |
| HW2501D13 | KEY, 3/16 SQ X 1.375 | 1.000 EA |
| HA7000A04 | KEY RETAINER 0.625 DIA SHAFTS | 1.000 EA |
| 85XU0407S04 | 4X1/4 U DRIVE PIN STAINLESS | 2.000 EA |

| Parts List (continued) | | |
|-------------------------------|--|-----------------|
| Part Number | Description | Quantity |
| WD1000A16 | 2-520128-2 AMP FLAG TERMINAL(4M/RL) | 2.000 EA |
| MJ1000A02 | GREASE, POLYREX EM EXXON (USe 4824-15A) | 0.050 LB |
| 34FN3002A01SP | EXTERNAL FAN, PLASTIC, .637/.639 HUB W/ | 1.000 EA |
| MG1000G27 | MED CHARCOAL METALLIC GREY 400-0096 | 0.017 GA |
| SP5055A67 | MODEL 35 TYPE L STATIONARY SWITCH | 1.000 EA |
| 35CB4802A02SP | CAPACITOR COVER, STAMPED X | 1.000 EA |
| 35GS3001A02 | GASKET, CA.COVER, 5.38 LONG .06 CS301 | 1.000 EA |
| HA3100A15 | THRUBOLT 10-32 X 8.375 | 4.000 EA |
| HA4067A01 | PUSH IN DRAIN FITTING (BLACK) | 1.000 EA |
| HA4067A01 | PUSH IN DRAIN FITTING (BLACK) | 1.000 EA |
| LB1119N | WARNING LABEL | 1.000 EA |
| MN416A01 | TAG-INSTAL-MAINT no wire (1200/bx) 11/14 | 1.000 EA |
| LC0001 | CONN LABEL TYPE L, 6 LEAD, DUAL VOLTS, R | 1.000 EA |
| NP1372L | ALUM UL CSA CE CC | 1.000 EA |
| 36PA1000 | PKG GRP, PRINT PK1016A06 | 1.000 EA |
| PK3083T | STYROFOAM PACKING CRADLE W/TAPE | 1.000 EA |

AC Induction Motor Performance Data

Record # 10378 - Typical performance - not guaranteed values

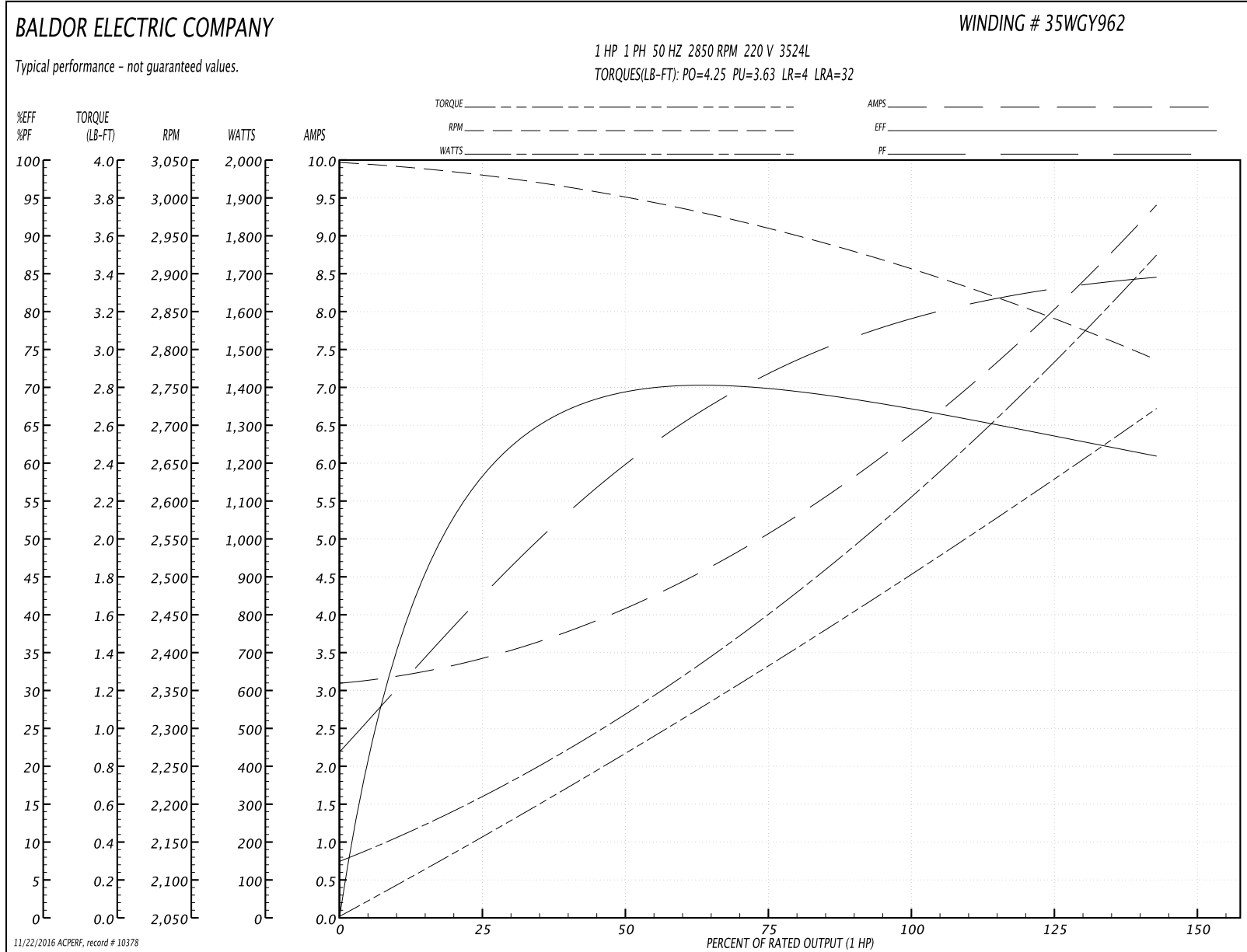
| | | |
|-------------------------------|--------------------|------------------------|
| Winding: 35WGY962-R001 | Type: 3524L | Enclosure: TEFC |
|-------------------------------|--------------------|------------------------|

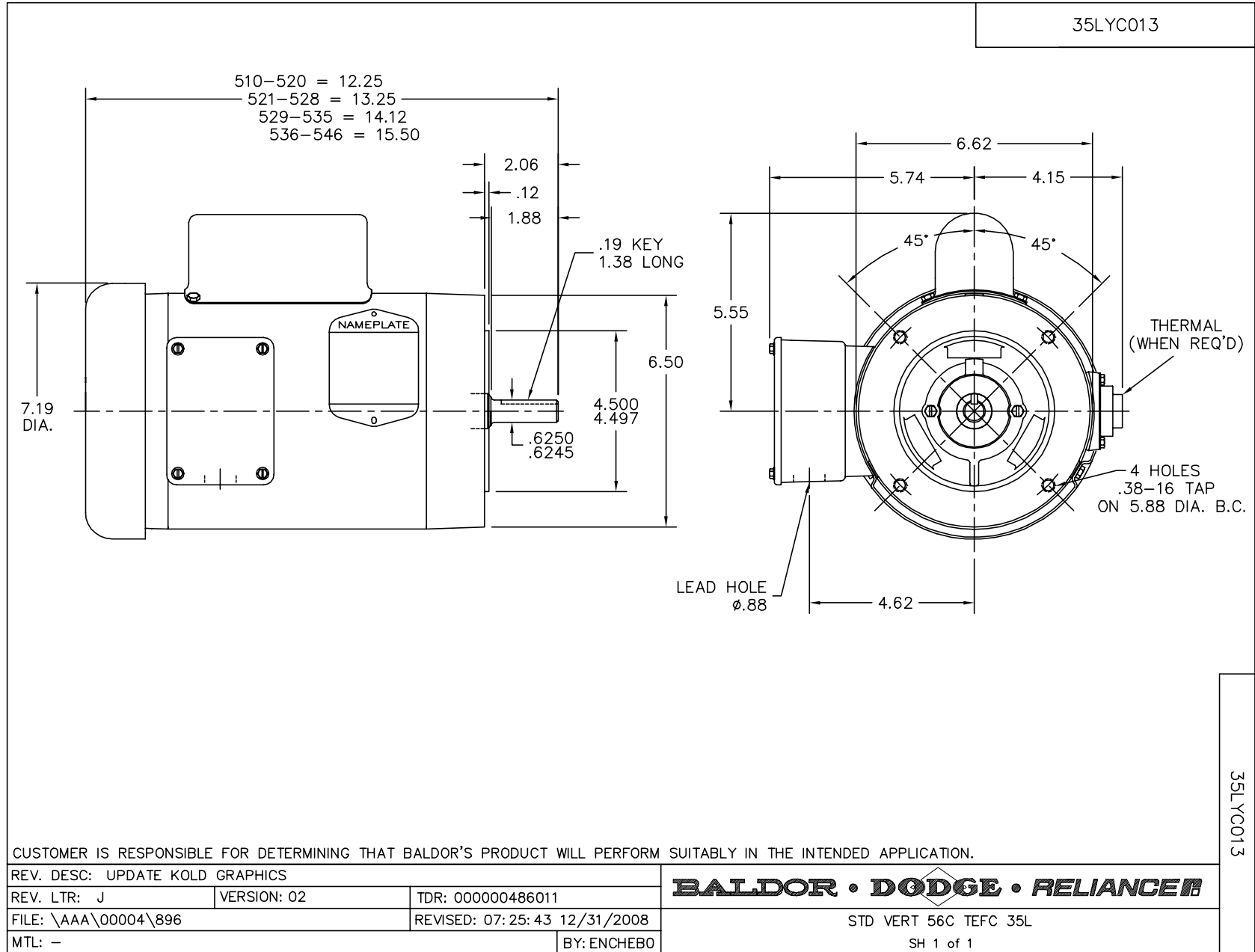
| Nameplate Data | | | | 220 V, 50 Hz: High Voltage Connection | |
|-----------------------|--------------|--------------|----|--|----------------------------|
| Rated Output (HP) | 1 | | | Full Load Torque | 1.8 LB-FT |
| Volts | 110/220 | | | Start Configuration | direct on line |
| Full Load Amps | 12.6/6.3 | | | Breakdown Torque | 4.25 LB-FT |
| R.P.M. | 2850 | | | Pull-up Torque | 3.63 LB-FT |
| Hz | 50 | Phase | 1 | Locked-rotor Torque | 4 LB-FT |
| NEMA Design Code | N | KVA Code | H | Starting Current | 32 A |
| Service Factor (S.F.) | 1.25 | | | No-load Current | 3 A |
| NEMA Nom. Eff. | 68 | Power Factor | 84 | Line-line Res. @ 25°C | 2.09 Ω A Ph 2.08 Ω B Ph |
| Rating - Duty | 40C AMB-CONT | | | Temp. Rise @ Rated Load | 69°C |
| S.F. Amps | 15/7.5 | | | Temp. Rise @ S.F. Load | 90°C |

Load Characteristics 220 V, 50 Hz, 1 HP

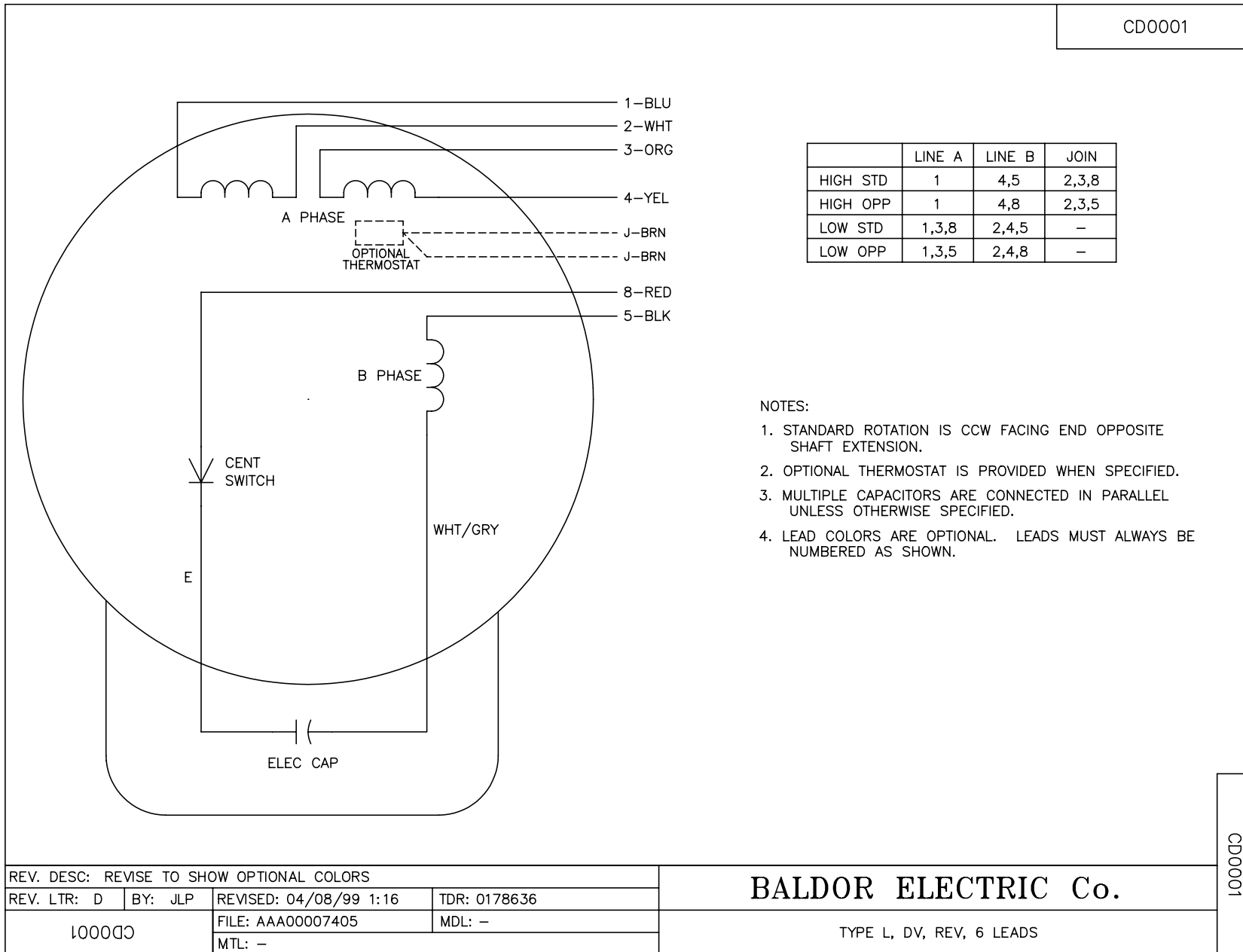
| % of Rated Load | 25 | 50 | 75 | 100 | 125 | 150 | S.F. |
|-----------------|------|------|------|------|------|------|------|
| Power Factor | 53 | 71 | 80 | 84 | 88 | 89 | 88 |
| Efficiency | 60 | 68 | 69 | 67 | 66 | 60 | 66 |
| Speed | 3028 | 2993 | 2957 | 2911 | 2857 | 2779 | 2857 |
| Line amperes | 3.5 | 4.3 | 5.1 | 6.3 | 7.6 | 9.6 | 7.6 |

Performance Graph at 220V, 50Hz, 1.0HP Typical performance - Not guaranteed values





CD0001



CD0001

| | | | |
|---|---------|------------------------|--------------|
| REV. DESC: REVISE TO SHOW OPTIONAL COLORS | | | |
| REV. LTR: D | BY: JLP | REVISED: 04/08/99 1:16 | TDR: 0178636 |
| 100000 | | FILE: AAA00007405 | MDL: - |
| | | MTL: - | |

BALDOR ELECTRIC Co.

TYPE L, DV, REV, 6 LEADS