

# **BALDOR**® • **RELIANCE**

## **Product Information Packet**

# **ZDBRPM21304C**

**30HP, 1750RPM, 3PH, 60HZ, 2162C, TEBC, FOOT**

Part Detail							
Revision:	A	Status:	PRD/A	Change #:		Proprietary:	No
Type:	AC	Prod. Type:		Elec. Spec:	L3310A	CD Diagram:	422927-001
Enclosure:	TEBC	Mfg Plant:		Mech. Spec:		Layout:	617517-363
Frame:	FL2162C	Mounting:	F3	Poles:	04	Created Date:	04-10-2015
Base:		Rotation:	R	Insulation:	H	Eff. Date:	08-27-2015
Leads:						Replaced By:	
Literature:		Elec. Diagram:					

Nameplate 000613006NS																															
	<table border="1"> <thead> <tr> <th>DUTY</th> <th>HP</th> <th>RPM</th> <th>AMPS</th> <th>VOLTS</th> <th>HZ</th> </tr> </thead> <tbody> <tr> <td>CONT</td> <td>30</td> <td>1765</td> <td>40</td> <td>460</td> <td>60</td> </tr> <tr> <td>CONT</td> <td>30</td> <td>3525</td> <td>37</td> <td>460</td> <td>120</td> </tr> <tr> <td></td> <td></td> <td></td> <td></td> <td></td> <td></td> </tr> <tr> <td></td> <td></td> <td></td> <td></td> <td></td> <td></td> </tr> </tbody> </table>	DUTY	HP	RPM	AMPS	VOLTS	HZ	CONT	30	1765	40	460	60	CONT	30	3525	37	460	120												
DUTY	HP	RPM	AMPS	VOLTS	HZ																										
CONT	30	1765	40	460	60																										
CONT	30	3525	37	460	120																										
CAT.NO.	ZDBRPM21304C	SPEC. NO.	P21T0402																												
SER.NO.		FR	FL 2162CZ	INSUL	H																										
PH.	3	MAX SAFE SPEED	5000	AMB.	40																										
DESIGN NO.	L3310A	TYPE		ENCL.	TEAO-BC																										
S.F.	1.0	D.E. BRG.	50BC03JPP30A																												
ENCL MOD		O.D.E. BRG.	45BC02JPP30A																												
				MIN. AMB.	-25																										

Parts List		
Part Number	Description	Quantity
WS286734	WS P21T0402	1.000 EA
RA282942	RA P21T0402	1.000 EA
000613006NS	RPM AC WITH CERTIFIED LOGO	1.000 EA
000692000FP	NP, WARNING LIFT INSTRUCTIONS	1.000 EA
000692000NH	LABEL DIRECTION AIR FL	1.000 EA
418018079A	LABEL	1.000 EA
418057747A	METAL FASTENER	8.000 EA
418018122A	LABEL	2.000 EA
418056062B	NP AC BLOWER DATA	1.000 EA
422927001	C/D LABEL	1.000 EA
036100080KA	M10-1.50X 80MM HXSOCHDCS	3.000 EA
036500010AB	METRIC NUT M10-1.5PLTD400	4.000 EA
036500010AB	METRIC NUT M10-1.5PLTD400	4.000 EA
036610010AB	MHSLW M10 PLATED	4.000 EA
400638001AB	WASHER SPRING - 210	1.000 EA
418057491A	LIFTING LUG	2.000 EA
602018077A	DRAIN	1.000 EA
602018077A	DRAIN	1.000 EA
609830005AN	TBOLT PURGE MTR	4.000 EA
807581003BAA	BRKT,FL210,DE 807581-1WCB	1.000 EA
807581004AAB	BRKT,FL210,DE 807581-2WCB	1.000 EA
032018004AK	HHCS 1/4-20X1/2 PLATED	2.000 EA
032018010DK	HHCS 1/2-13X1-1/4 PLATED	2.000 EA
036000012HB	HHCS M6X12MM LONG PLATED	3.000 EA

Parts List (continued)		
Part Number	Description	Quantity
036000012HB	HHCS M6X12MM LONG PLATED	3.000 EA
036000020HB	HHCS M6-1.0X20MM PLATED	4.000 EA
706305301A	GUARD, SHAFT	1.000 EA
036310010FB	RHMS TERM/BLK MTG	2.000 EA
036320008CB	M2.5 SCREW	4.000 EA
036500006AB	M4-0.7 METRIC HEX NUT	2.000 EA
036620008AB	M6 METRIC EXT LOCKWASHER	1.000 EA
065564000B	GASK 250-280	1.000 EA
075452000B	C/BOX, PAINTED 210-250	1.000 EA
075453000A	CBOXC, PAINTED 250-280	1.000 EA
406673002C	.75 CAP PLUG	1.000 EA
415000103A	T/LUG #14AWG-#4AWG W/HOLE FOR .250 BOLT	1.000 EA
417733004T	GASKET CONDUIT BOX	2.000 EA
418018074A	GROUND LABEL G100 METRIC 160 D.C.	1.000 EA
418057169A	LKNUT CAMER	1.000 EA
418057260A	SCREW PHILLIPS PAN HD	4.000 EA
418057367A	CLIP, BEI TACH	2.000 EA
418057373A	SCREW SHEET METAL	7.000 EA
418057381A	CONDUIT WASHER	1.000 EA
418057499A	PLATE	1.000 EA
422962051BA	STBSH	1.000 EA
607980192B	RF,BEI,HS35,TWISTLOCK	1.000 EA
417077-141	BLWR MTR	1.000 EA
708533003A	PLATE, BTM FAN/BLOWER	2.000 EA

Product Information Packet: ZDBRPM21304C - 30HP, 1750RPM,3PH,60HZ,2162C,TEBC,FOOT

708533050B	COVER, FAN/BLOWER	1.000 EA
708533051A	GRILL, FAN COVER	1.000 EA
000640000P	TAG WINDING THERMOST	1.000 EA
004824007K	SPECIAL PAINT	0.100 EA
034180022FA	KEY 3/8X3/8X2-3/4 L	1.000 EA

REL. S.O.	-	VOLTS	460	ENCLOSURE	TEBC	WYE CONN EQ CKT OHMS PER PHASE (AT BASE RATING, 25 °C)
FRAME	FL2162	AMPS	40	MAX SAFE RPM	5000	R1 .157 X1 .701
HP	30	DUTY	CONT	IM (AMPS)	20	R2 .102 X2 .791
BASE SPEED	1765	S.F.	1.0	P.F.@NL/FL	.064/.797	XM 1.3.4
PHASE/HERTZ	3/60	AMB °C/INSUL	40/H	WK <sup>2</sup> (LB-FT <sup>2</sup> )	1.92	

**RATED FULL LOAD DATA**


	RPM	HP	TORQUE LB-FT	FUND VOLTS	FREQ-HZ	AMPS
BASE SPEED	1766	30.0	89	460	60	39.6
MAX SPEED	3523	30.0	45	460	120	37.1
MIN SPEED	0	0	89	18.1	1.14	39.6

**LOAD PERFORMANCE AT BASE SPEED**

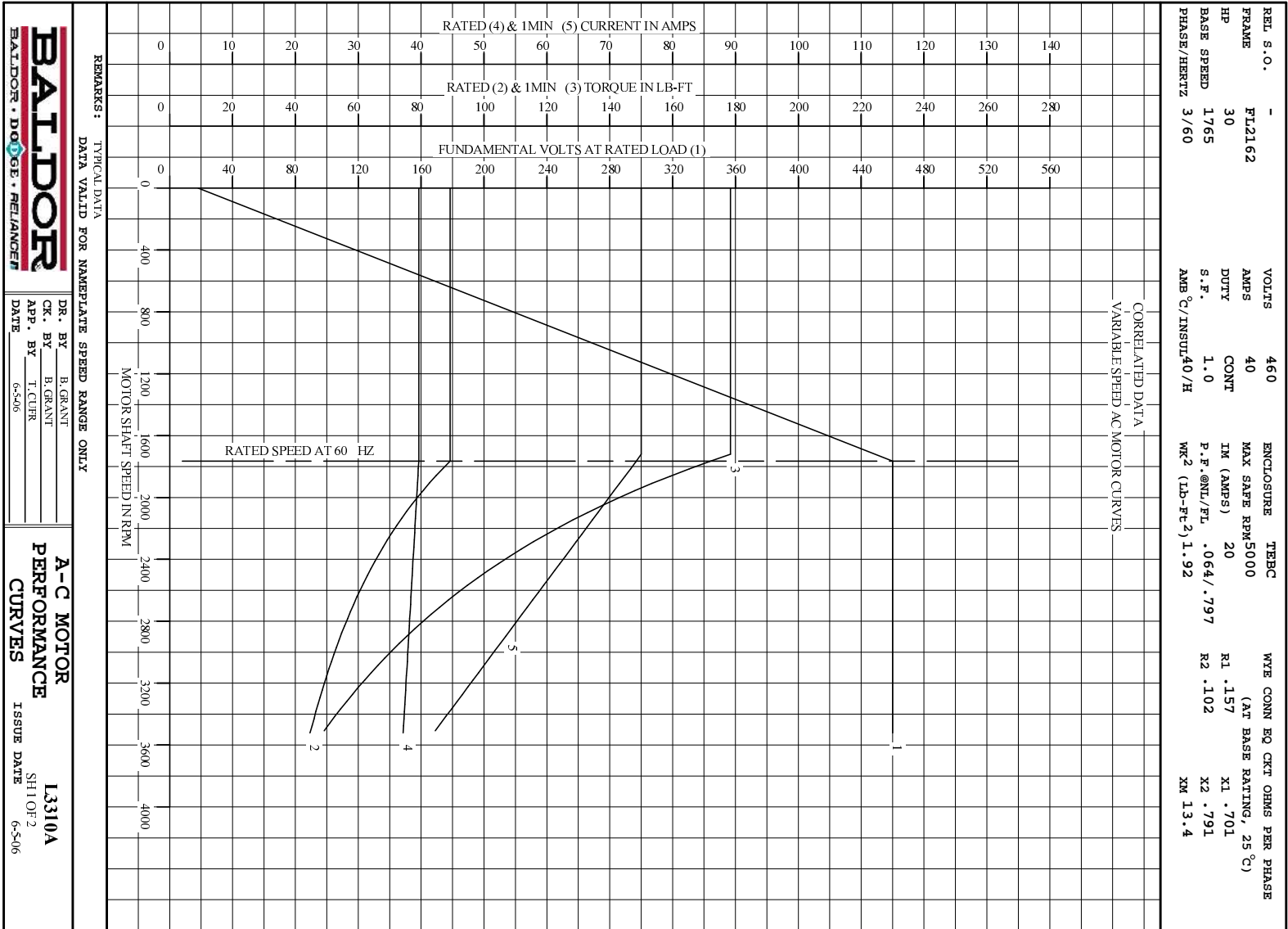
	RPM	HP	TORQUE LB-FT	FUND VOLTS	FREQ-HZ	AMPS
NO LOAD	1800	0	0	460	60	19.8
1/4	1792	7.52	22	460	60	22.1
1/2	1784	15.0	44	460	60	26.3
3/4	1775	22.5	67	460	60	32.3
FULL LOAD	1766	30.0	89	460	60	39.6
O/L	1721	58.5	178	460	60	75.0

BLOWER DATA	VOLTS	PH/HZ	FL AMPS	LR AMPS	FRAME	CFM

REMARKS: TYPICAL DATA  
CORRELATED DATA

	DR. BY	B. GRANT	<b>A-C MOTOR PERFORMANCE DATA</b>
	CK. BY	T. CUER	
	APP. BY	6-5-06	
	DATE	6-5-06	

L3310A  
ISSUE DATE 6-5-06

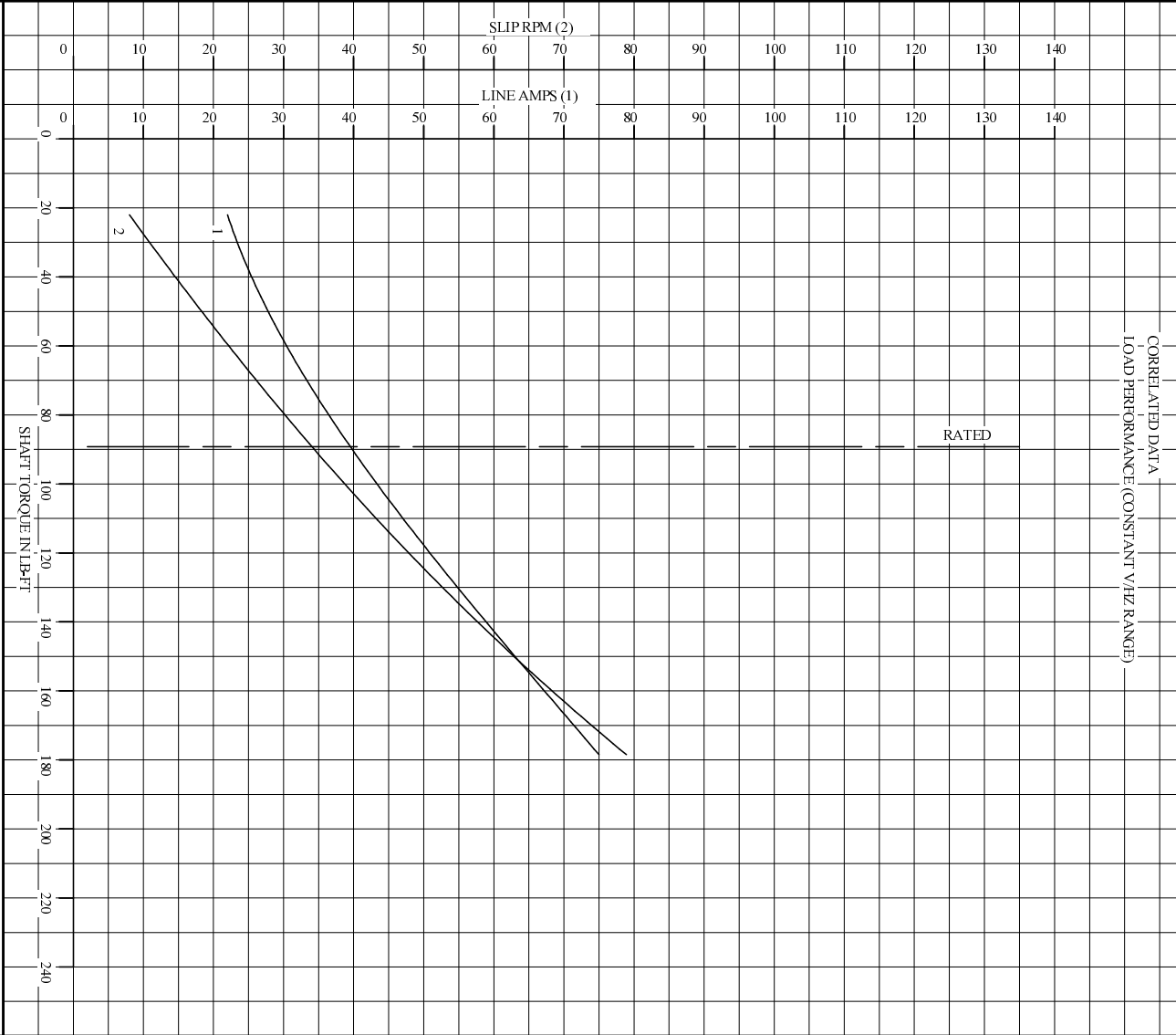


REMARKS: TYPICAL DATA  
 DATA VALID FOR NAMEPLATE SPEED RANGE ONLY

<b>BALDOR</b> BALDOR • DOUGLASS • RELIANCE	DR. BY B. GRANT CK. BY B. GRANT APP. BY T. CURR DATE 6-5-06
---	--

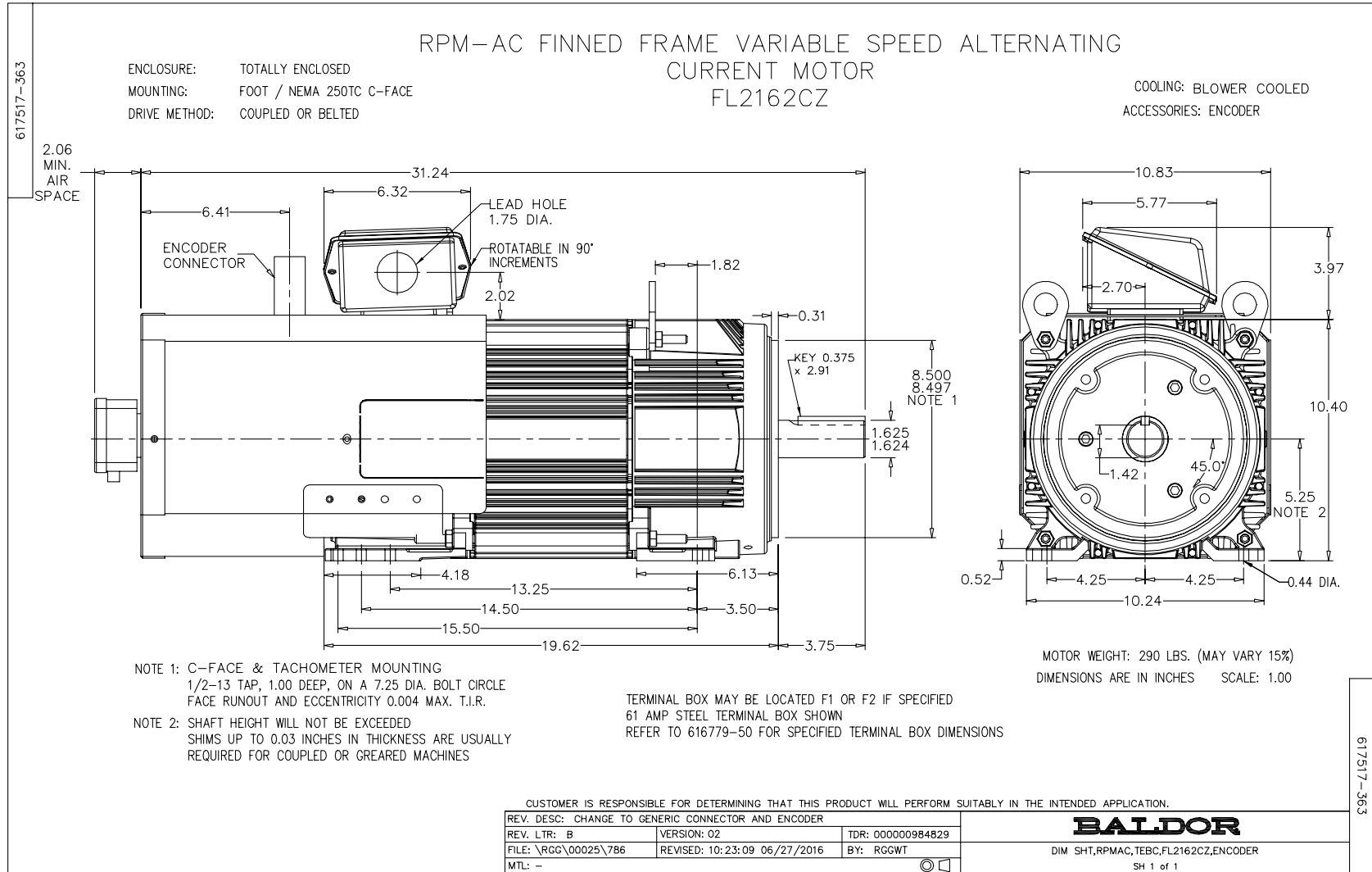
<b>A-C MOTOR</b> <b>PERFORMANCE</b> <b>CURVES</b>	L3310A SH1 OF 2 ISSUE DATE 6-5-06
---	---

REL S.O.	-	VOLTS	460	ENCLOSURE	TEBC	WYE CONN EQ CKT OHMS PER PHASE
FRAME	FL2162	AMPS	40	MAX SAFE RPM	5000	(AT BASE RATING, 25°C)
HP	30	DUTY	CONT	IM (AMPS)	20	R1 .157 X1 .701
BASE SPEED	1765	S.F.	1.0	P.F.@NL/FL	.064/.797	R2 .102 X2 .791
PHASE/HERTZ	3/60	AMB C/INSUL	40/H	WK <sup>2</sup> (LB-FT <sup>2</sup> )	1.92	XN 13.4



REMARKS: TYPICAL DATA  
DATA VALID FOR NAMEPLATE SPEED RANGE ONLY

 BALDOR • DOUG • RELIANCE	DR. BY	B. GRANT	<b>A-C MOTOR</b> <b>PERFORMANCE</b> <b>CURVES</b>	<b>L3310A</b> SH20F2 ISSUE DATE 6-5-06
	CK. BY	B. GRANT		
	APP. BY	T. CURR		
	DATE	6-5-06		

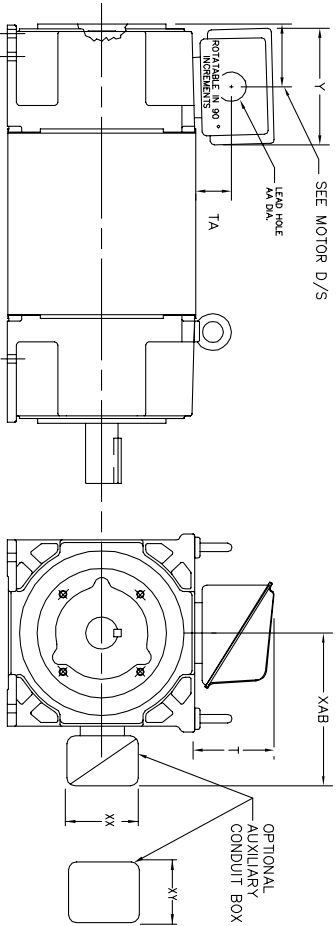


616779-050

# INDUSTRIAL ALTERNATING CURRENT MOTORS

## RPM AC

STEEL, CAST IRON, MILL AND TERMINAL BOARD CONDUIT BOX DIMENSIONS  
 NEMA FRAMES FL210 thru RL280 and IEC FRAMES RDL132 thru RDL180  
 NEMA FRAMES FL180 thru FL280 and IEC FRAMES FDL112 thru FDL180



TERMINAL BOX	Y	TA	T	AA	MAX AMP'S	REMARKS
706310-63B	14.39	7.43	12.15	--	400	TERMINAL STRIP
706310-226R	9.00	3.06	5.40	Pg36 & Pq16	160	TERMINAL STRIP
706310-225R	7.25	2.30	4.40	Pg29 & Pq16	100	TERMINAL STRIP
706310-56B	9.00	3.06	5.40	Pg36 & Pq16	160	TERMINAL STRIP
706310-56A	7.75	2.30	4.40	Pg29 & Pq16	100	TERMINAL STRIP
706320-14D	15.00	7.56	12.81	5	510	CAST IRON
706320-13A	10.50	4.88	9.00	4.0 TAP	210	CAST IRON
706320-12B	9.25	4.81	8.56	3	140	CAST IRON
75460-62B	7.25	2.50	5.25	1.5 TAP	110	CAST IRON
706320-4C	5.75	2.38	4.38	1.0 TAP	60	CAST IRON FL180 ONLY
706310-3E	16.00	4.40	7.81	3	590	MILL
706310-3X	8.00	2.38	5.00	--	160	MILL
702658-1G	14.62	7.56	12.70	5	500	STEEL
706320-16A	9.00	4.12	8.44	4.59	305	STEEL
706320-9A	7.25	3.50	7.06	2.50	160	STEEL
75454-1AJ	7.69	2.38	5.25	1.94	121	STEEL
75452-B	6.34	2.00	4.12	1.75	61	STEEL
75452-G	6.34	2.00	4.12	--	61	SPECIAL
706320-5A	6.12	2.38	4.38	1.75/2.00	75	STEEL FL180 ONLY
706320-3A	5.00	1.62	3.00	1.12	40	STEEL FL180 ONLY
706320-7A	7.62	2.00	7.00	2.5/3.0	208	STEEL FL180 ONLY

FRAME SIZE	XAB	XX	XY	OPTIONAL AUXILIARY CONDUIT BOX DIMENSIONS (MAXIMUM)					
				FRAME SIZE	XAB	XX	XY		
FL210/FL132/RL210/RL132	7.38	4.25	4.25	60200-7-26-A	FL210/FL132/RL210/RL132	10.88	8.00	8.00	706310-3-B
FL220/FL180/RL220/RL180	8.44	4.23	4.23	60200-7-26-A	FL220/FL180/RL220/RL180	11.88	8.00	8.00	706310-3-B
FL280/FL180/RL280/RL180	9.12	4.23	4.23	60200-7-26-A	FL280/FL180/RL280/RL180	12.62	8.00	8.00	706310-3-B

- (1) 'AA' CONDUIT
- (2) 'AA' PIPE TAP
- (3) CUSTOMER TO PROVIDE HOLE FOR CONDUIT.
- (4) 'E' DN 'SA' OR 'I' TAP DN '4C'

TERMINAL BOX CAN BE ROTATED FOR LEAD OUTLET AT TOP, SIDES OR BOTTOM.  
 TERMINAL BOX LOCATED ON OPPOSITE SIDE WHEN F-2, W-1, W-4, W-5, W-7,  
 OR C-1 MOUNTING IS SPECIFIED. BOX LOCATED ON TOP WHEN SPECIFIED.

050-667619

CUSTOMER IS RESPONSIBLE FOR DETERMINING THAT BALDOR'S PRODUCT WILL PERFORM SUITABLY IN THE INTENDED APPLICATION.

REV. DESC: BOX # 706320-9A, CHANGE AA DIM FROM 2 TO 2.50	TDR: 000000785386
REV. LTR: C	VERSION: 03
FILE: \RGG\00003\692	REVISED: 08:40:55 02/11/2013
MTL: -	BY: RGGWT

**BALDOR**

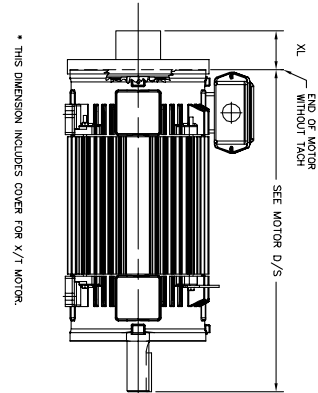
DIM SHT NEMA RL210-RL280 FL180-FL280 IEC RDL132-RDL180

SH 1 of 1

**RPM AC TACHOMETER DIMENSIONS**  
 NEMA FRAMES FL180 thru FL440 and IEC FRAMES FDL112 thru FDL280  
 DIMENSIONS ARE IN INCHES(mm)

DPFV, DPSV, TEPV, TESV, TENV & TEAO-PB  
 IC06, IC17, IC37, IC410, & IC416-PB

TACH MODEL	XL Inchest(mm)	LBS.
BEI DE DYNAPAR HS35	2.88 (74)	5
DYNAPAR HED	7.50 (191)MAX	10
NORTHSTAR HS35M	3.31 (84)	10
NORTHSTAR ST67	2.88 (74)	5
DYNAPAR HS6	10.56 (268)	40
AVTRON M3 DR M4	3.62 (92)	10
TAMAGAWA TS5013(X17)	6.00 (152)	10
NORTHSTAR ST56	2.88 (74)	5
NORTHSTAR ST85	2.00 (51)	5
BEI HS80	10.17 (259)	15
TAMAGAWA TS2151	2.64 (67)	15
BEI H23	7.50 (191)	15
DYNAPAR HS20	2.00 (50.8)	5
DYNAPAR HS25	12.88 (327)	10
STEGMANN SRS25	7.25 (184.4)	10
NORTHSTAR HS103	3.00 (76.2)	10
HEIDENHAIN ERM425	2.5 (63.5)	5
AVTRON HS35M	4.19 (106.4)	5
HEIDENHAIN ERN480	5.00 (126.2)	5
DYNAPAR H125	7.00 (177.8)	10
DYNAPAR H22	3.62 (92.1)	5
AVTRON H255	2.54 (64.5)	9
AVTRON AV950	2.54 (64.5)	9
AVTRON AV956	4.50 (115)	15
HS108	3.30 (84)	5
HS125	3.30 (84)	2
NORTHSTAR RT8	3.25 (82)	15
DYNAPAR H425	5.88 (150)	10
AVTRON AV485	5.50 (141)	18

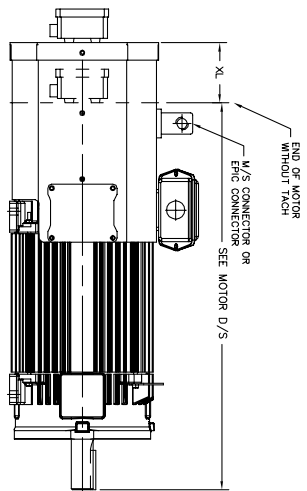


\* THIS DIMENSION INCLUDES COVER FOR X/7 MOTOR.

616779-055

**TEAO-BC, IC416-BC**

TACH MODEL	XL Inchest(mm)	LBS.
BEI DE DYNAPAR HS35	4.50 (115)	15
DYNAPAR H20	4.50 (115)	10
AVTRON M3 DR M4	4.50 (115)	10
NORTHSTAR HS35M	4.50 (115)	15
NORTHSTAR ST56	4.50 (115)	10
NORTHSTAR ST67	4.50 (115)	10
NORTHSTAR ST85	4.50 (115)	5
TAMAGAWA TS5008 TS5013	4.50 (115)	10
DYNAPAR H20	4.50 (115)	10
STEGMANN SRS25	4.50 (115)	10
STEGMANN SRS25/SH50	4.50 (115)	3
STEGMANN SRS360	4.50 (115)	15
H20 & H25E	4.50 (115)	15
AVTRON HS35M	4.50 (115)	10
AVTRON AV95	4.50 (115)	5
AVTRON M56	4.50 (115)	10
AVTRON AV67	4.50 (115)	10
HS108	4.50 (115)	5
TS2014	4.50 (115)	10
AVTRON HS45	4.50 (115)	15
DYNAPAR HS103M	4.50 (115)	15



CUSTOMER IS RESPONSIBLE FOR DETERMINING THAT BALDOR'S PRODUCT WILL PERFORM SUITABLY IN THE INTENDED APPLICATION.

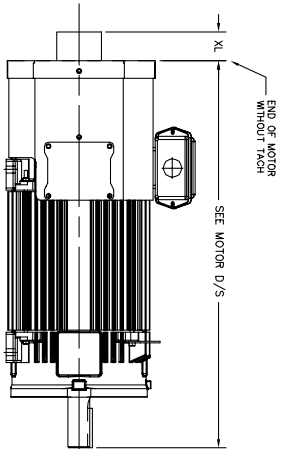
REV. DESC: ADD TAMAGAWA TS5008 (B1248085)	TDR: 000000895710
REV. LTR: U	VERSION: 19
FILE: \RGG\00003\694	REVISED: 08:00:14 03/06/2015
MTL: -	BY: RGGWT



DIM SHT TACH DIM NEMA FL180 - FL440 IEC FDL112 - FDL280  
 SH 1 of 1

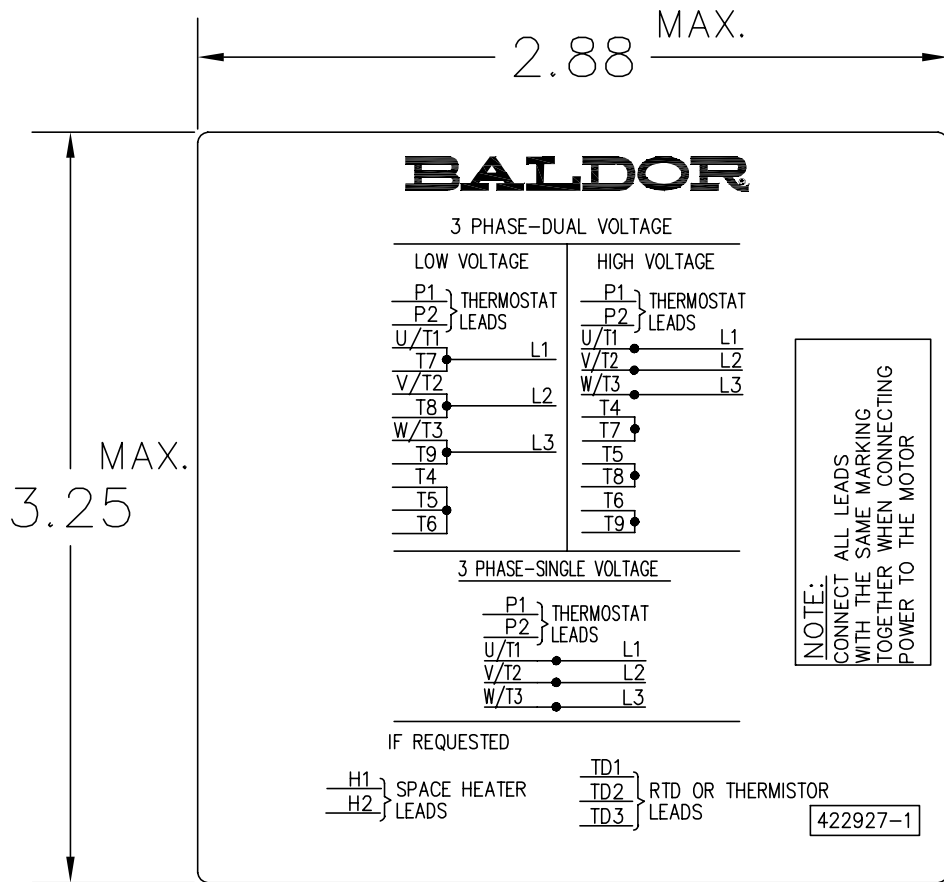
**TEFC, IC411**

TACH MODEL	XL Inchest(mm)	LBS.
BEI HS35	2.88 (74)	7
NORTHSTAR HS35M	3.31 (84)	10
DYNAPAR H20	3.75 (95)	15
DYNAPAR HS35, HS108	2.88 (74)	7
H20(X17)	9.75 (248)	35
ERM425	7.90 (201)	35
AVTRON HS35M	4.19 (106)	2
STEGMANN SRS50	3.75 (95)	1
DYNAPAR H20	2.00 (51)	1
NORTHSTAR HS103	2.81 (71)	2
NORTHSTAR HS108	3.30 (84)	5



055-6179-6

422927-001



NOTE:  
DATA TO BE SIZED  
SO THAT IT FITS INTO  
MATERIAL DECAL  
DIMENSIONS. MAKE  
LETTERS & NUMBERS  
AS LARGE AS POSSIBLE.

MATERIAL: CERAMATIC DGF-P4  
PERMA GRIP ADHESIVE

ALL LETTERS, NUMBERS  
AND LINES TO BE BLACK  
ON WHITE BACKGROUND.

NOTE:  
CONNECT ALL LEADS  
WITH THE SAME MARKING  
TOGETHER WHEN CONNECTING  
POWER TO THE MOTOR

422927-001

REV. DESC: CHANGE BACKGROUND COLOR FROM GOLD TO WHITE		
REV. LTR: B	VERSION: 02	TDR: 000000788708
FILE: \RGG\00000\203	REVISED: 08:09:29 03/04/2013	
MTL: -	BY: RGGWT	

**BALDOR**

EXTERNAL CONNECTION LABEL

SH 1 of 1

Marketing maintained PDF of MN406:

<http://www.baldor.com/support/Literature/Load.ashx/MN406?ManNumber=MN406>