

# BERKELEY® B2-1/2JPBM

## Cast Iron Impeller

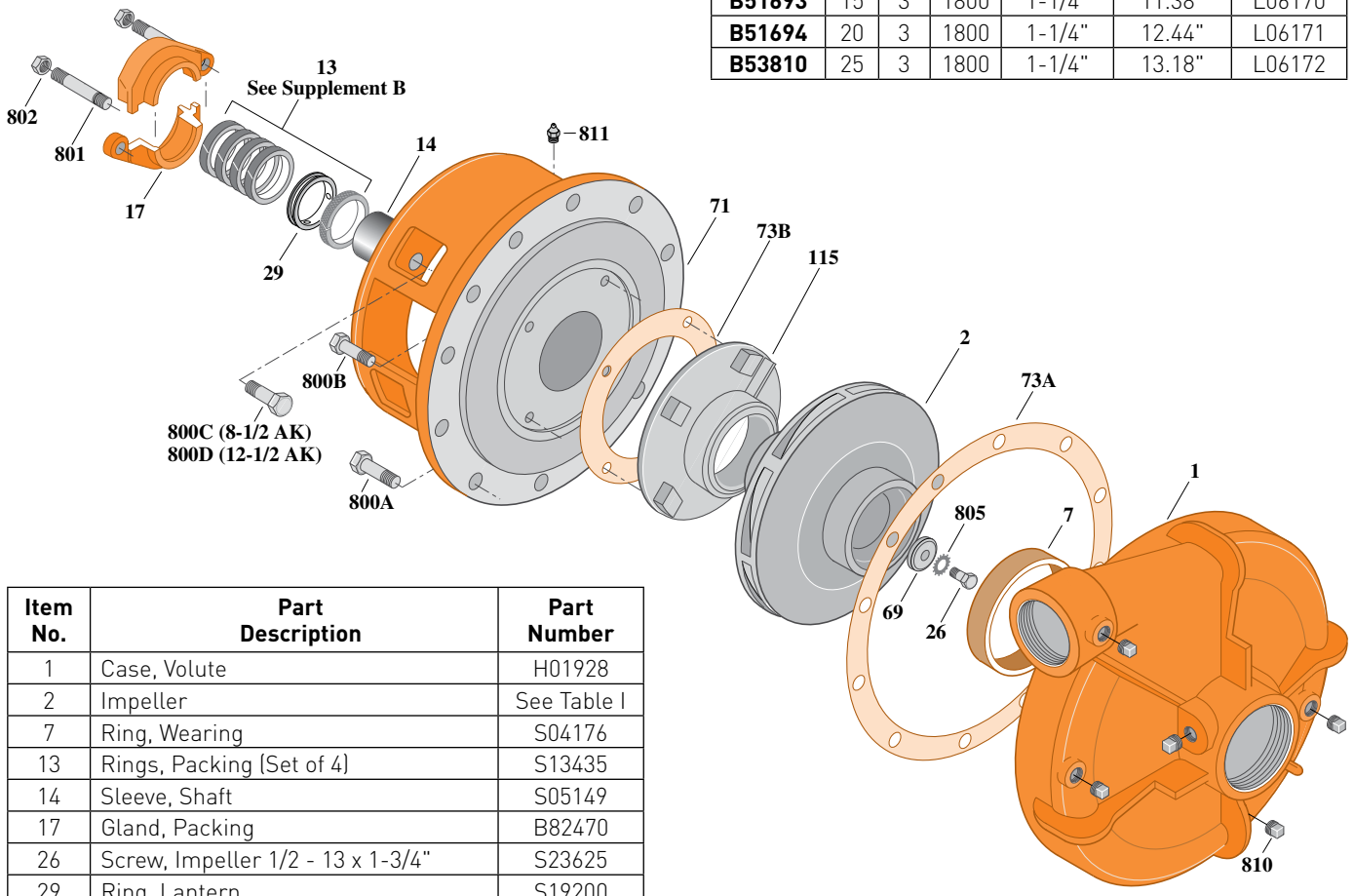
Threaded Case (NPT), Packing Construction

ELECTRIC MOTOR DRIVE

Section	CC
Page	150.1
Date	March 4, 2013
Supersedes 01/01/04	

Table I

B/M No.	HP	PH	RPM	"U" Dim.	Imp. Dia.	Imp. No.
B51693	15	3	1800	1-1/4"	11.38"	L06170
B51694	20	3	1800	1-1/4"	12.44"	L06171
B53810	25	3	1800	1-1/4"	13.18"	L06172



1768 0495

Item No.	Part Description	Part Number
1	Case, Volute	H01928
2	Impeller	See Table I
7	Ring, Wearing	S04176
13	Rings, Packing (Set of 4)	S13435
14	Sleeve, Shaft	S05149
17	Gland, Packing	B82470
26	Screw, Impeller 1/2 - 13 x 1-3/4"	S23625
29	Ring, Lantern	S19200
32	Key, 1/4 x 2-1/4" (See Note)	S23677
69	Washer, Impeller	S06319
71	Bracket	See Table II
73A	Gasket, Volute	S06271
73B	Gasket, Balance Ring	S09943
115	Ring, Balance	M05115
800A	Capscrew, 5/8 - 11 x 1-1/2" [12 Req.]	S26999
800B	Capscrew, 1/2 - 13 x 1-1/2" [4 Req.]	S26916
800C	Capscrew, 3/8 - 16 x 1-1/2" [4 Req.]	S26830
801	Stud, 3/8 - 16 x 2-1/2" [2 Req.]	S04438
802	Nut, Hex 3/8 - 16 [2 Req.]	S23343
805	Washer, Lock	S23038
810	Plug, Pipe 1/2 NPT [6 Req.]	S23717
811	Fitting, Grease	S23700
812	Elbow, Street	S25421

Table II

HP	PH	Bracket No.	"AK" Fit	"U" Dim.	Motor Frame
15	3	H02384	8-1/2"	1-1/4"	254JP
20	3	H02384	8-1/2"	1-1/4"	256JP
25	3	H01601	12-1/2"	1-1/4"	284JP

**NOTE:** For an explanation of the tabulated material found on this page and for impeller key location, refer to **Supplement A** located at the beginning of this section.



# BERKELEY® B2-1/2JPBMS

## ELECTRIC MOTOR DRIVE

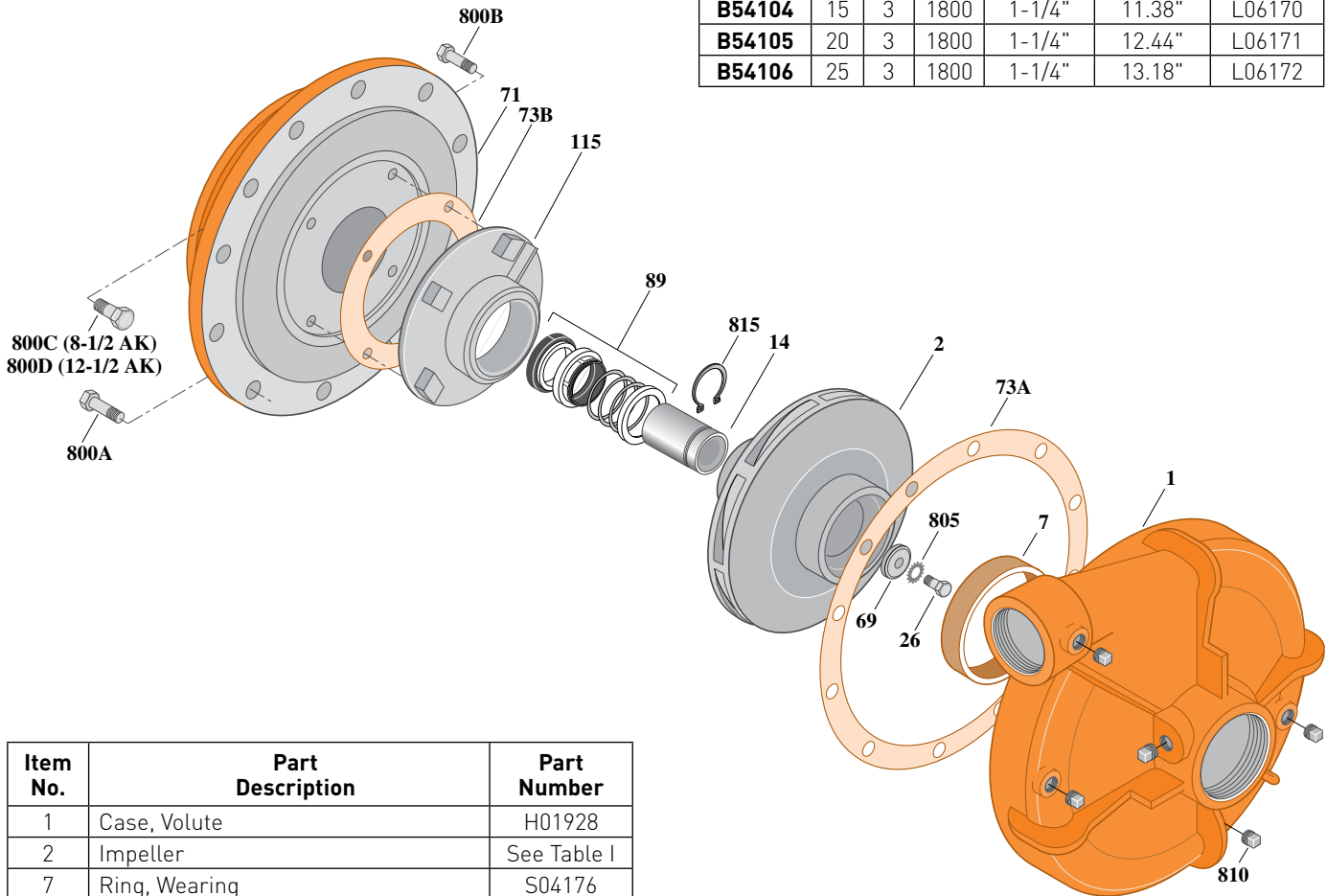
### Cast Iron Impeller

Threaded Case (NPT), Mechanical Shaft Seal Construction

Section	CC
Page	150.2
Date	March 4, 2013
Supersedes 01/01/04	

**Table I**

B/M No.	HP	PH	RPM	"U" Dim.	Imp. Dia.	Imp. No.
B54104	15	3	1800	1-1/4"	11.38"	L06170
B54105	20	3	1800	1-1/4"	12.44"	L06171
B54106	25	3	1800	1-1/4"	13.18"	L06172



1691 0295

Item No.	Part Description	Part Number
1	Case, Volute	H01928
2	Impeller	See Table I
7	Ring, Wearing	S04176
14	Sleeve, Shaft	S18869
26	Screw, Impeller 1/2 - 13 x 1-1/2"	S23623
32	Key, 1/4 x 2-1/4" (See Note)	S23677
69	Washer, Impeller	S06319
71	Bracket	See Table II
73A	Gasket, Volute Case	S06271
73B	Gasket, Balance Ring	S09943
89	Seal, Mechanical Shaft	S32015
115	Ring, Balance	M06646
800A	Capscrew, 5/8 - 11 x 1-1/2" [12 Req.]	S26999
800B	Capscrew, 1/2 - 13 x 1-1/2" [4 Req.]	S26916
800C	Capscrew, 3/8 - 16 x 1" [4 Req.]	S26826
805	Washer, Lock	S23038
810	Plug, Pipe 1/2 NPT [6 Req.]	S23717
815	Ring, Retaining	S16767

**Table II**

HP	PH	Bracket No.	"AK" Fit	"U" Dim.	Motor Frame
15	3	H03300	8-1/2"	1-1/4"	254JM
20	3	H03300	8-1/2"	1-1/4"	256JM
25	3	H03301	12-1/2"	1-1/4"	284JM

**NOTE:** For an explanation of the tabulated material found on this page and for impeller key location, refer to **Supplement A** located at the beginning of this section.



# BERKELEY® B2-1/2JPBM

## Silicon Bronze Impeller

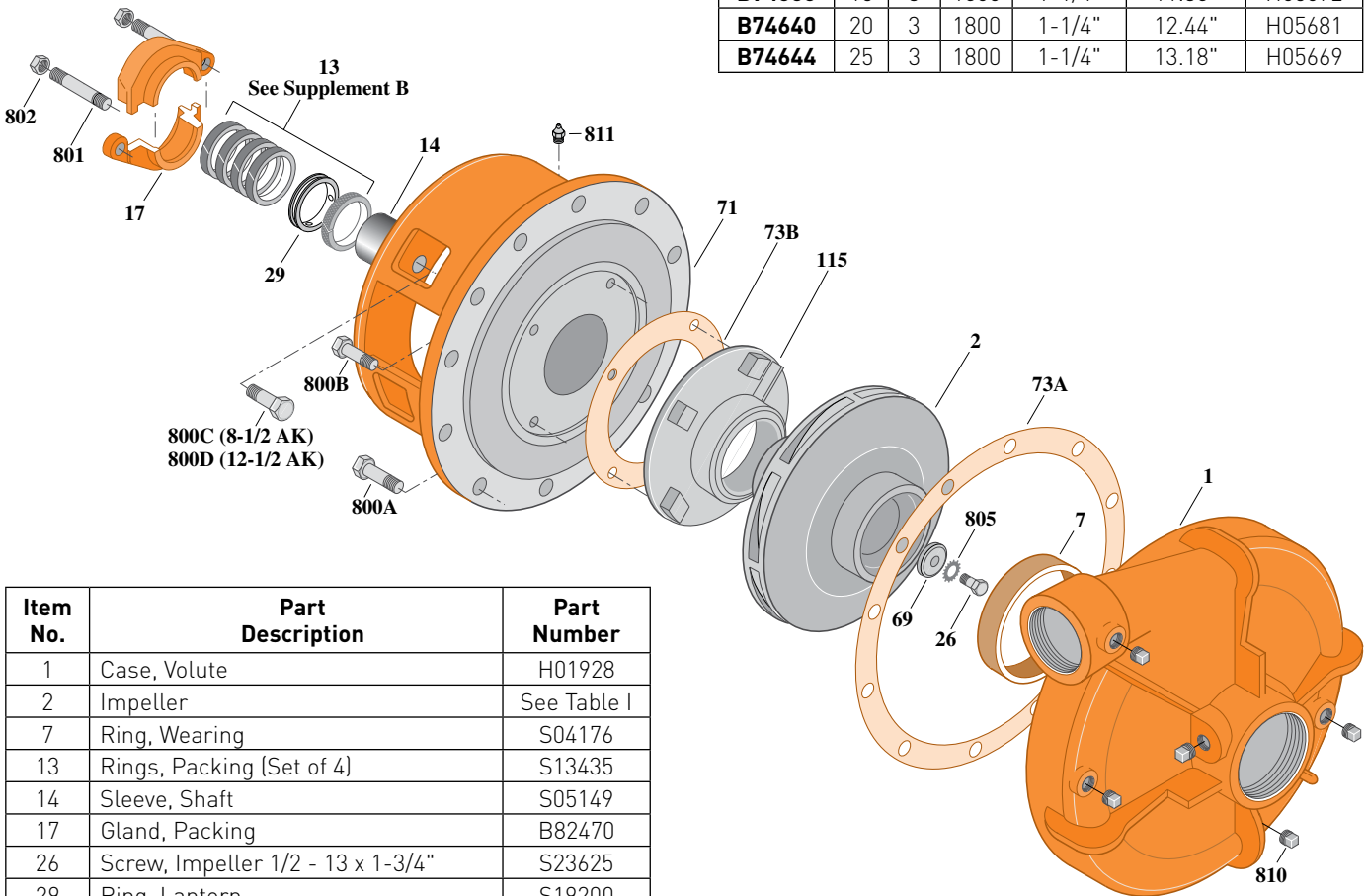
Threaded Case (NPT), Packing Construction

### ELECTRIC MOTOR DRIVE

Section	CC
Page	150.3
Date	March 4, 2013
Supersedes 01/01/04	

**Table I**

B/M No.	HP	PH	RPM	"U" Dim.	Imp. Dia.	Imp. No.
<b>B74656</b>	15	3	1800	1-1/4"	11.38"	H05672
<b>B74640</b>	20	3	1800	1-1/4"	12.44"	H05681
<b>B74644</b>	25	3	1800	1-1/4"	13.18"	H05669



1768 0495

Item No.	Part Description	Part Number
1	Case, Volute	H01928
2	Impeller	See Table I
7	Ring, Wearing	S04176
13	Rings, Packing [Set of 4]	S13435
14	Sleeve, Shaft	S05149
17	Gland, Packing	B82470
26	Screw, Impeller 1/2 - 13 x 1-3/4"	S23625
29	Ring, Lantern	S19200
32	Key, 1/4 x 2-1/4" [See Note]	S23677
69	Washer, Impeller	S06319
71	Bracket	See Table II
73A	Gasket, Volute	S06271
73B	Gasket, Balance Ring	S09943
115	Ring, Balance	M05115
800A	Capscrew, 5/8 - 11 x 1-1/2" [12 Req.]	S26999
800B	Capscrew, 3/8 - 16 x 1-1/2" [4 Req.]	S26830
800C	Capscrew, 1/2 - 13 x 1-1/2" [4 Req.]	S26916
800D	Capscrew, 5/8 - 11 x 1-1/2" [4 Req.]	S26999
801	Stud, 3/8 - 16 x 2-1/2" [2 Req.]	S04438
802	Nut, Hex 3/8 - 16 [2 Req.]	S23343
805	Washer, Lock	S23038
810	Plug, Pipe 1/2 NPT [6 Req.]	S23717
811	Fitting, Grease	S23700

**Table II**

HP	PH	Bracket No.	"AK" Fit	"U" Dim.	Motor Frame
15	3	H02384	8-1/2"	1-1/4"	254JP
20	3	H02384	8-1/2"	1-1/4"	256JP
25	3	H01601	12-1/2"	1-1/4"	284JP

**NOTE:** For an explanation of the tabulated material found on this page and for impeller key location, refer to **Supplement A** located at the beginning of this section.



# BERKELEY® B2-1/2JPBMS

ELECTRIC MOTOR DRIVE

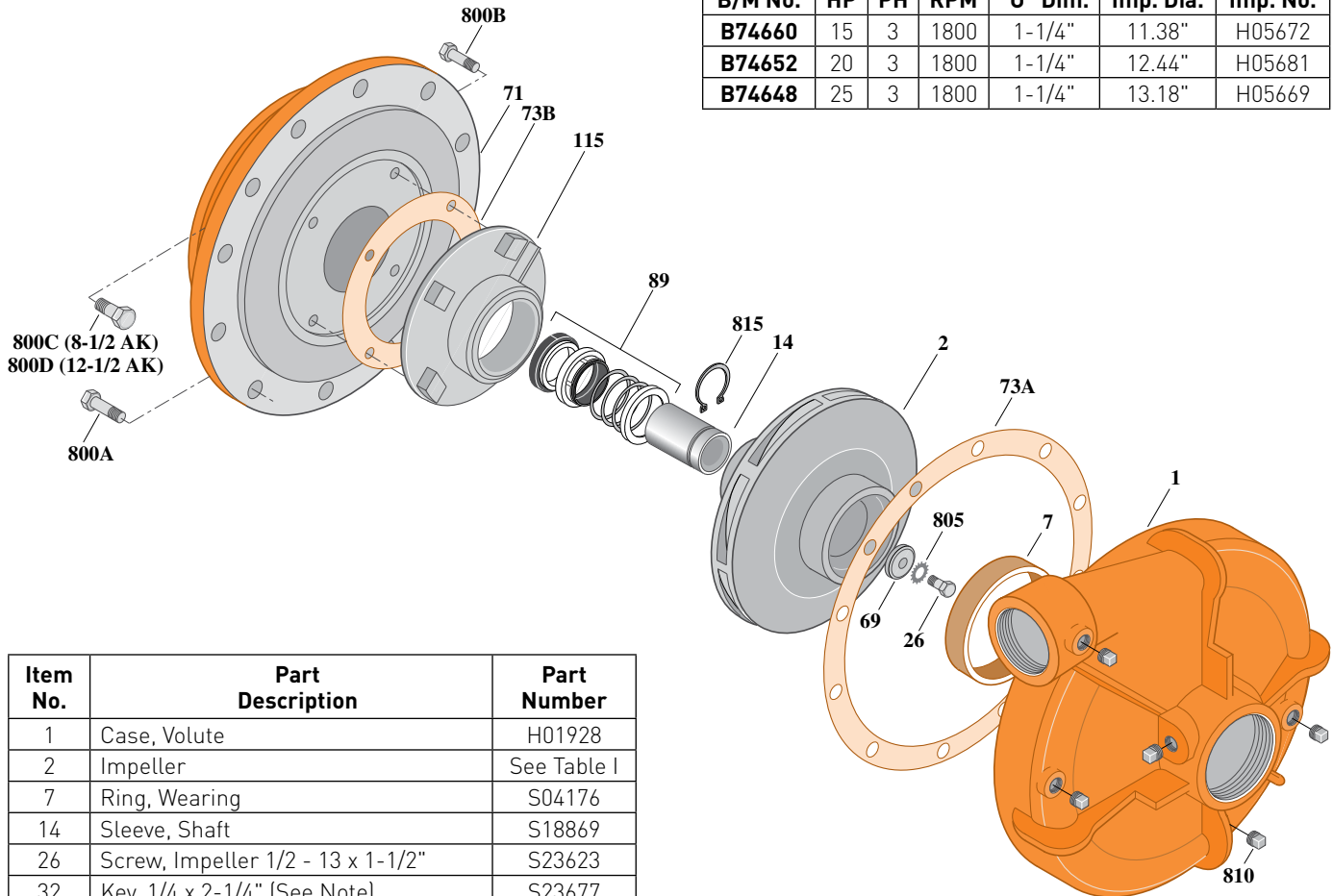
## Silicon Bronze Impeller

Threaded Case (NPT), Mechanical Shaft Seal Construction

Section	CC
Page	150.4
Date	March 4, 2013
Supersedes 01/01/04	

Table I

B/M No.	HP	PH	RPM	"U" Dim.	Imp. Dia.	Imp. No.
<b>B74660</b>	15	3	1800	1-1/4"	11.38"	H05672
<b>B74652</b>	20	3	1800	1-1/4"	12.44"	H05681
<b>B74648</b>	25	3	1800	1-1/4"	13.18"	H05669



Item No.	Part Description	Part Number
1	Case, Volute	H01928
2	Impeller	See Table I
7	Ring, Wearing	S04176
14	Sleeve, Shaft	S18869
26	Screw, Impeller 1/2 - 13 x 1-1/2"	S23623
32	Key, 1/4 x 2-1/4" [See Note]	S23677
69	Washer, Impeller	S06319
71	Bracket	See Table II
73A	Gasket, Volute Case	S06271
73B	Gasket, Balance Ring	S09943
89	Seal, Mechanical Shaft	S32015
115	Ring, Balance	M06646
800A	Capscrew, 5/8 - 11 x 1-1/2" [12 Req.]	S26999
800B	Capscrew, 3/8 - 16 x 1" [4 Req.]	S26826
800C	Capscrew, 1/2 - 13 x 1-1/2" [4 Req.]	S26916
800D	Capscrew, 5/8 - 11 x 1-1/2" [4 Req.]	S26999
805	Washer, Lock	S23038
810	Plug, Pipe 1/2" NPT [6 Req.]	S23717
815	Ring, Retaining	S16767
•	Plug, Pipe 1/8" NPT (In Bracket)	S23714

• Not illustrated.

Table II

HP	PH	Bracket No.	"AK" Fit	"U" Dim.	Motor Frame
15	3	H03300	8-1/2"	1-1/4"	254JM
20	3	H03300	8-1/2"	1-1/4"	256JM
25	3	H03301	12-1/2"	1-1/4"	284JM

**NOTE 1:** For an explanation of the tabulated material found on this page and for impeller key location, refer to **Supplement A** located at the beginning of this section.

**NOTE 2:** For seal flush line details, see **Supplement D**.

