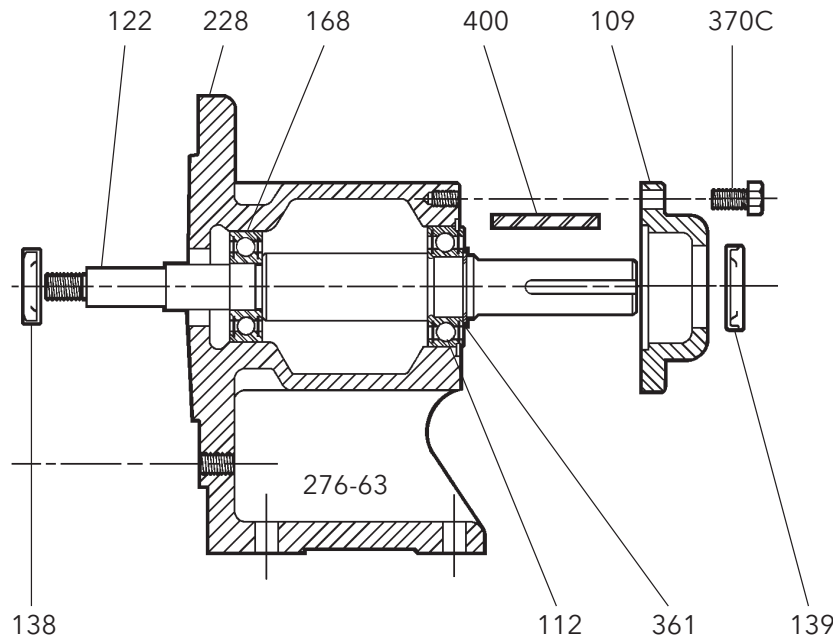


XS-Group Power Frame

REPAIR PARTS

FOR MODELS NPE-F, ICS-F, 3742



ITEM NO.	PART NO.	DESCRIPTION	MATERIAL	PATTERN NO.
109	1K267	Bearing cover	Cast iron	59142
228	1K268	Bearing frame	Cast iron	59279
122	4K377	Shaft - bearing frame	AISI 303 SS	
400	4K11	Shaft key - motor end		
168	4K384	Ball bearing - inboard bearing	Steel	
112	4K385	Ball bearing - outboard bearing		
138	5K172	Lip seal - inboard		
139	5K171	Lip seal - outboard	BUNA-N/steel	
361	5K211	Retaining ring		
370C	13K179	Hex head cap screw - bearing cover	Steel	

For parts pricing and package stock quantities, refer to published parts price list using "K" part no. listed above.

For complete power frame assembly, order part #14L61.

Order Online: www.PumpCatalog.com

Xylem |'zīləm|

- 1) The tissue in plants that brings water upward from the roots;
- 2) a leading global water technology company.

We're a global team unified in a common purpose: creating innovative solutions to meet our world's water needs. Developing new technologies that will improve the way water is used, conserved, and re-used in the future is central to our work. We move, treat, analyze, and return water to the environment, and we help people use water efficiently, in their homes, buildings, factories and farms. In more than 150 countries, we have strong, long-standing relationships with customers who know us for our powerful combination of leading product brands and applications expertise, backed by a legacy of innovation.

For more information on how Xylem can help you, go to www.xylem.com

Xylem Inc.

2881 East Bayard Street Ext., Suite A, Seneca Falls, NY 13148

Phone: (800) 453-6777 Fax: (888) 322-5877

www.gouldswatertechnology.com

