



## R Series Magnetic Drive Pumps

1/3, 1/2, 3/4, 1, 1-1/2, 2, 3 AND 5 HP

### KEY FEATURES

- GFPP and Carbon Reinforced ETFE
- Seal-Less Design
- Low Friction Operation
- Easy Maintenance, No Special Tools

### OPTIONS

- Carbon Bushings
- Ceramic Bushings
- EPDM Elastomers
- 575V Motors
- Explosion Proof Motors
- Washdown Motors

### MATERIALS

- GFPP Cell Class 85580 per ASTM D4101
- ETFE

## TECHNICAL INFORMATION

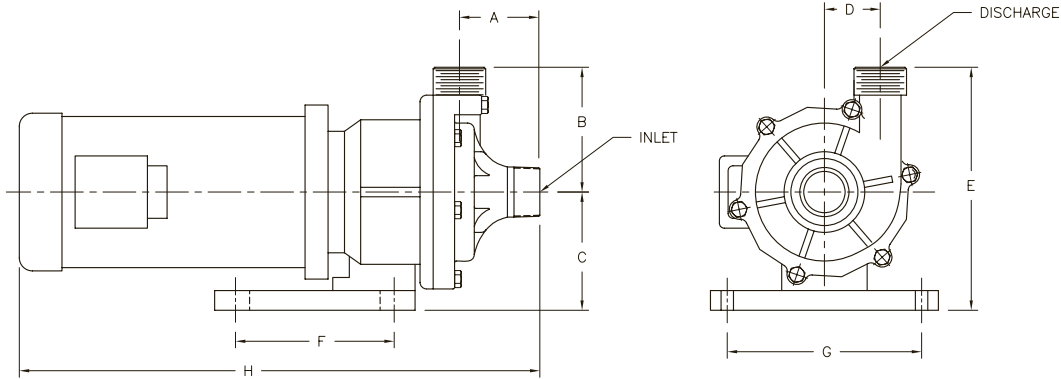
### SPECIFICATIONS

<b>PUMP HEAD</b>	Glass reinforced, thick wall, polypropylene construction. Also in ETFE.
<b>PIPE CONNECTION</b>	Threaded NPT
<b>SHAFT</b>	Ceramic with PTFE Bushing
<b>SEALS</b>	FPM
<b>PERFORMANCE</b>	Models for flow rates from 5 to 140 GPM with TDHs of up to 141 feet. R-Series pumps and motors are matched for non-overloading, continuous duty performance throughout the entire pump performance range.
<b>MOTORS</b>	Single or three phase motors available with horsepower ratings of 1/3, 1/2, 3/4, 1, 1-1/2, 2, 3 or 5 HP, 115/230 VAC or 208-230/460 VAC. Motors are heavy-duty TEFC and epoxy painted.
<b>PUMP MODELS</b>	RC03 1/3 HP, RX05 1/2 HP, RX07 3/4 HP, RX10, 1 HP, RX15 1-1/2 HP, RX20 2 HP, RX30 3HP, RX50 5HP.

# R Series Magnetic Drive Pumps

1/3, 1/2, 3/4, 1, 1-1/2, 2, 3 AND 5 HP

## TECHNICAL INFORMATION, CONTINUED

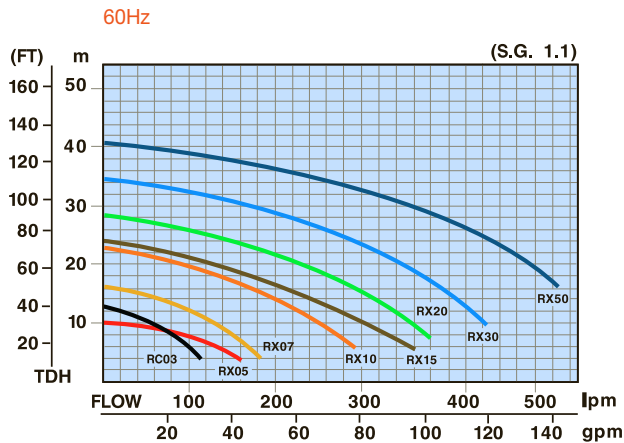


### DIMENSIONS

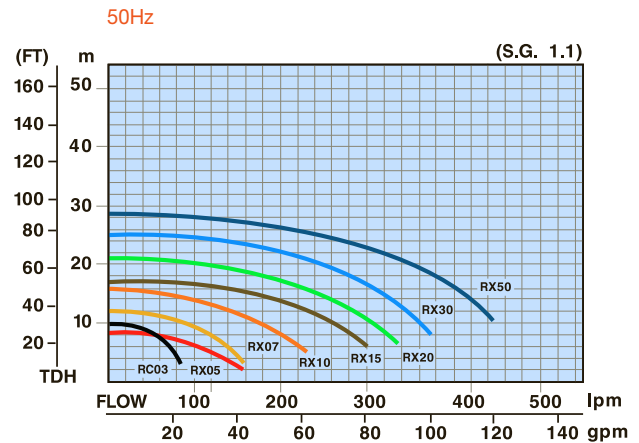
	A in/mm	B in/mm	C in/mm	D in/mm	E in/mm	F in/mm	G in/mm	H in/mm	INLET	DISCHARGE
RC03	2.52/64	3.94/100	2.95/75	1.73/44	6.89/175	4.33/110	2.76/70	13.82/351	1" MNPT	1" MNPT
RC05	3.15/80	4.49/114	4.53/115	2.00/51	9.02/229	5.12/130	5.21/132	20.47/520	1-1/2" MNPT	1-1/2" MNPT
RC07	3.15/80	4.49/114	4.53/115	2.00/51	9.02/229	5.12/130	5.21/132	20.47/520	1-1/2" MNPT	1-1/2" MNPT
RC10	3.78/96	5.20/132	4.53/115	2.27/58	9.73/247	5.12/130	5.21/132	20.47/520	1-1/2" MNPT	1-1/2" MNPT
RC15	3.15/80	5.44/138	4.53/115	2.56/65	9.97/253	7.88/200	8.20/208	23.50/597	2" MNPT	1-1/2" MNPT
RC20	3.15/80	5.44/138	4.53/115	2.56/65	9.97/253	7.88/200	8.20/208	23.50/597	2" MNPT	1-1/2" MNPT
RC30	3.15/80	5.44/138	4.53/115	2.56/65	9.97/253	7.88/200	8.20/208	23.50/597	2" MNPT	1-1/2" MNPT
RC50	3.15/80	5.44/138	5.32/135	2.56/65	10.76/273	10.28/261	9.06/230	24.15/613	2" MNPT	1-1/2" MNPT

Dimensions are subject to change without notice – consult factory for installation information

### PERFORMANCE CURVES



RC03, RX05, RX07, RX10, RX15, RX20, RX30, RX50



RC03, RX05, RX07, RX10, RX15, RX20, RX30, RX50



Hayward is a registered trademark of Hayward Industries, Inc. © 2015 Hayward Industries, Inc.

Contact Hayward Flow Control with questions: **USA:** 1-888-429-4635 • Fax: 1-888-778-8410 • One Hayward Industrial Drive • Clemmons, NC 27012 USA  
**Canada:** 1.888.238.7665 • Fax: 1.905.829.3636 • 2880 Plymouth Drive • Oakville, ON L6H 5R4 Canada • Email: hflowcanada@haywardnet.com  
 Visit us at: www.haywardflowcontrol.com • E-mail: hflow@haywardnet.com