



MARCH PUMPS

1819 PICKWICK AVE., GLENVIEW, IL 60026-1306, U.S.A

DESCRIPTION:

Series MDX & MDK are centrifugal magnetic drive pumps, eliminating the need for a shaft seal. Pumps can be serviced with a screwdriver. See the parts list for a break down of parts.

MODEL ABBREVIATIONS: X: Rytan, K: Kynar, TE: Totally Enclosed Fan Cooled

OPERATION:

Pumps are not self-priming, lack a suction lift, and thus require a **flooded suction**. Pumps **cannot be run dry** because the impeller requires the liquid being pumped for lubrication. The direction of motor rotation should be clockwise when facing the inlet of the pump. For liquids with a specific gravity greater than water, have a higher viscosity, or for elevated temperatures, a trimmed impeller may be necessary. For application assistance, contact March Pump.

ELECTRICAL:

The MDX-MT3 & MDK-MT3:

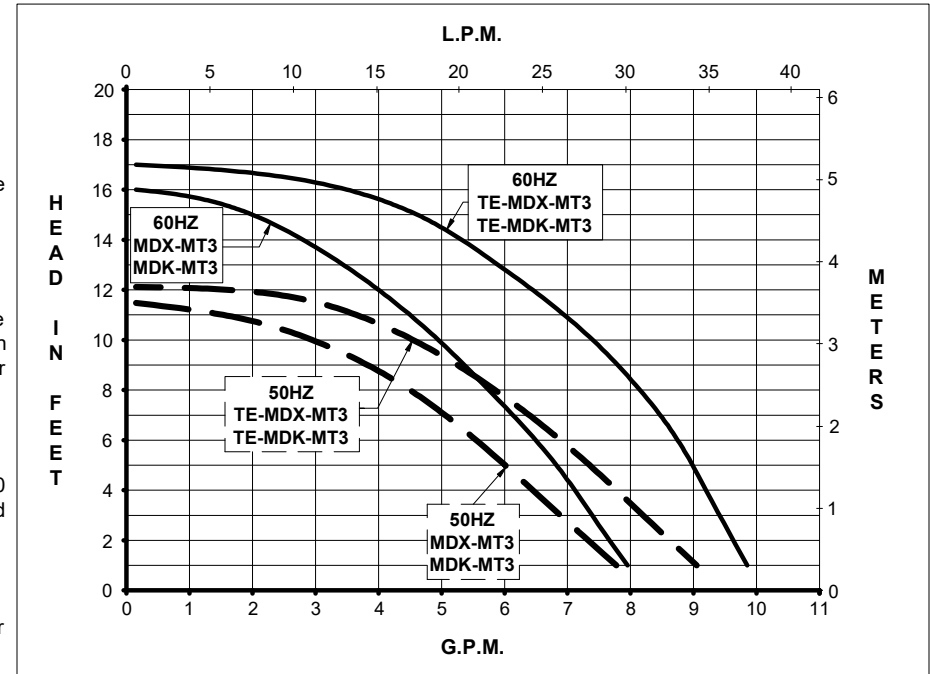
Open air cooled motors are available in different electrical configurations such as 115 V 50/60 Hz, or 230 V 50/60 Hz, 1 phase. Motors have a 3 foot (0.9 m) cord for electrical connections. Motors are U.L. listed as well as rated for continuous operation.

NOTE: The motor is not a combination motor. 115 Volt as well as 230 Volt motors are not 115/230 dual voltage.

The TE-MDX-MT3 & TE-MDK-MT3:

Motor is totally enclosed fan cooled, dual 115/230 Voltage, 50/60 Hz, 1 phase. Motors have a conduit box for electrical connections. Motors are U.L. listed as well as rated for continuous operation.

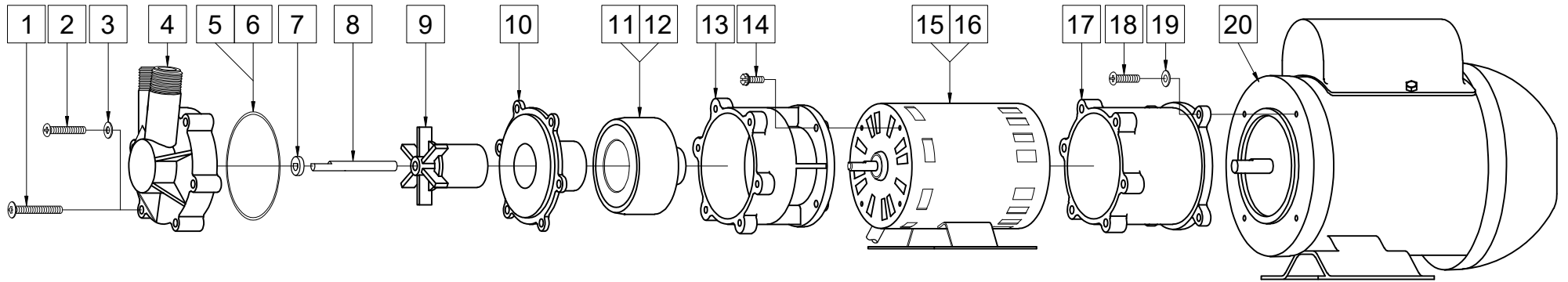
MDX-MT3, TE-MDX-MT3, MDK-MT3, TE-MDK-MT3



SPECIFICATIONS		MDX-MT3											MDK-MT3											TE-MDX-MT3											TE-MDK-MT3										
		Max Flow		Max Head		ELECTRICAL							Max Flow		Max Head		ELECTRICAL							Height		Width		Length		Packed Weight															
MODEL	Product #	gpm	lpm	ft	psi	m	Ph	V	A	Hp	kW	Rpm	gpm	lpm	ft	psi	m	Ph	V	A	Hp	kW	Rpm	Inches	cm	Inches	cm	Inches	cm	lbs	kg														
MDX-MT3	115 V	8	30.3	16	6.9	4.88	1	115	1.35	1/25	0.03	3450	7.9	30	11.5	4.98	3.5	1	115	1.35	1/25	0.03	2850	4.82	12.2	3.70	9.3	8.41	21.3	5.85	2.65														
	230 V	8	30.3	16	6.9	4.88	1	230	0.85	1/25	0.03	3450	7.9	30	11.5	4.98	3.5	1	230	0.80	1/25	0.03	2850	4.82	12.2	3.70	9.3	9.02	22.9	6.20	2.81														
MDK-MT3	115 V	8	30.3	16	6.9	4.88	1	115	1.35	1/25	0.03	3450	7.9	30	11.5	4.98	3.5	1	115	1.35	1/25	0.03	2850	4.82	12.2	3.70	9.3	8.41	21.3	5.85	2.65														
	230 V	8	30.3	16	6.9	4.88	1	230	0.85	1/25	0.03	3450	7.9	30	11.5	4.98	3.5	1	230	0.80	1/25	0.03	2850	4.82	12.2	3.70	9.3	9.02	22.9	6.20	2.81														
TE-MDX-MT3 (Dual Voltage Motor)	115 V	10	37.9	17	7.4	5.18	1	115	2.6	0.2	0.149	3450	9.2	30.5	12.1	5.26	3.7	1	115	2.4	0.16	0.119	2850	6.89	17.5	6.95	17.6	11.66	29.6	18.85	8.5														
	230 V	10	37.9	17	7.4	5.18	1	230	1.3	0.2	0.149	3450	9.2	30.5	12.1	5.26	3.7	1	230	1.2	0.16	0.119	2850	6.89	17.5	6.95	17.6	11.66	29.6	18.85	8.5														
TE-MDK-MT3 (Dual Voltage Motor)	115 V	10	37.9	17	7.4	5.18	1	115	2.6	0.2	0.149	3450	9.2	30.5	12.1	5.26	3.7	1	115	2.4	0.16	0.119	2850	6.89	17.5	6.95	17.6	11.66	29.6	18.85	8.5														
	230 V	10	37.9	17	7.4	5.18	1	230	1.3	0.2	0.149	3450	9.2	30.5	12.1	5.26	3.7	1	230	1.2	0.16	0.119	2850	6.89	17.5	6.95	17.6	11.66	29.6	18.85	8.5														

All specifications & data are based on pumping water & are intended as a guideline only. Specifications may vary with different motors.

PARTS LIST



#	MDX-MT3	#	MDK-MT3
2	0135-0181-1000 6 #10-32 x 1-1/8" Lg. Screw (Stainless)	2	0135-0181-1000 6 #10-32 x 1-1/8" Lg. Screw (Stainless)
3	0150-0051-1000 6 #10 Washer (Stainless)	3	0150-0051-1000 6 #10 Washer (Stainless)
4	0135-0088-1000 1 Front Housing (Ryton)	4	0135-0152-1000 1 Front Housing (Kynar)
5	0135-0046-1000 1 1/16" CS x 2-7/8" OD "O" Ring (Viton)	5	0135-0046-1000 1 1/16" CS x 2-7/8" OD "O" Ring (Viton)
6	0135-0122-1000 1 1/16" CS x 2-7/8" OD "O" Ring (Teflon) - Option	6	0135-0122-1000 1 1/16" CS x 2-7/8" OD "O" Ring (Teflon) - Option
7	0130-0028-1000 1 Thrust Washer (Ceramic)	7	0130-0028-1000 1 Thrust Washer (Ceramic)
8	0130-0024-1000 1 Shaft (Ceramic)	8	0130-0024-1000 1 Shaft (Ceramic)
9	0135-0113-0200 1 Impeller (Ryton)	9	0135-0154-0200 1 Impeller (Kynar)
10	0135-0087-1000 1 Rear Housing (Ryton)	10	0135-0153-1000 1 Rear Housing (Kynar)
11	0130-0043-0100 1 0.250 Bore Drive Magnet	11	0130-0043-0100 1 0.250 Bore Drive Magnet
13	0135-0135-0100 1 Motor Bracket (Plastic)	13	0135-0135-0100 1 Motor Bracket (Plastic)
14	0135-0169-1000 4 #8-32 x 1/2" Lg. Hex Washer Head Screw (Stainless)	14	0135-0169-1000 4 #8-32 x 1/2" Lg. Hex Washer Head Screw (Stainless)
15	0135-0114-1000 1 Motor 115 V, 50/60HZ	15	0135-0114-1000 1 Motor 115 V, 50/60HZ
16	0135-0136-1000 1 Motor 230 V, 50/60HZ	16	0135-0136-1000 1 Motor 230 V, 50/60HZ
#	TE-MDX-MT3	#	TE-MDK-MT3
1	0823-0008-1000 6 #10-32 x 1-1/2" Lg. Screw (Stainless)	1	0823-0008-1000 6 #10-32 x 1-1/2" Lg. Screw (Stainless)
4	0135-0088-1000 1 Front Housing (Ryton)	4	0135-0152-1000 1 Front Housing (Kynar)
5	0135-0046-1000 1 1/16" CS x 2-7/8" OD "O" Ring (Viton)	5	0135-0046-1000 1 1/16" CS x 2-7/8" OD "O" Ring (Viton)
6	0135-0122-1000 1 1/16" CS x 2-7/8" OD "O" Ring (Teflon) - Option	6	0135-0122-1000 1 1/16" CS x 2-7/8" OD "O" Ring (Teflon) - Option
7	0130-0028-1000 1 Thrust Washer (Ceramic)	7	0130-0028-1000 1 Thrust Washer (Ceramic)
8	0130-0024-1000 1 Shaft (Ceramic)	8	0130-0024-1000 1 Shaft (Ceramic)
9	0135-0113-0200 1 Impeller (Ryton)	9	0135-0154-0200 1 Impeller (Kynar)
10	0135-0087-1000 1 Rear Housing (Ryton)	10	0135-0153-1000 1 Rear Housing (Kynar)
12	0130-0043-0300 1 0.375 Bore Drive Magnet	12	0130-0043-0300 1 0.375 Bore Drive Magnet
17	0135-0089-0000 1 Motor Bracket (Plastic)	17	0135-0089-0000 1 Motor Bracket (Plastic)
18	0150-0050-1000 4 #10-32 x 3/4" Lg. Screw (Stainless)	18	0150-0050-1000 4 #10-32 x 3/4" Lg. Screw (Stainless)
19	0150-0051-1000 4 #10 Washer (Stainless)	19	0150-0051-1000 4 #10 Washer (Stainless)
20	0150-0213-1000 1 TEFC Motor 115/230 V, 50/60HZ	20	0150-0213-1000 1 TEFC Motor 115/230 V, 50/60HZ
Materials in Contact with Solution		Materials in Contact with Solution	
MDX-MT3 & TE-MDX-MT3: Ryton, Ceramic, Viton		MDK-MT3 & TE-MDK-MT3: Kynar/Glass/Carbon Filled, Ceramic, Viton	

NOTE: When attaching the Drive Magnet to the motor shaft, position the face of the Drive Magnet 1/16 inch below the face of the Motor Bracket.

LIMITED WARRANTY:

March pumps are guaranteed only against defects in workmanship or materials for a period of one year from date of manufacture pumping water.