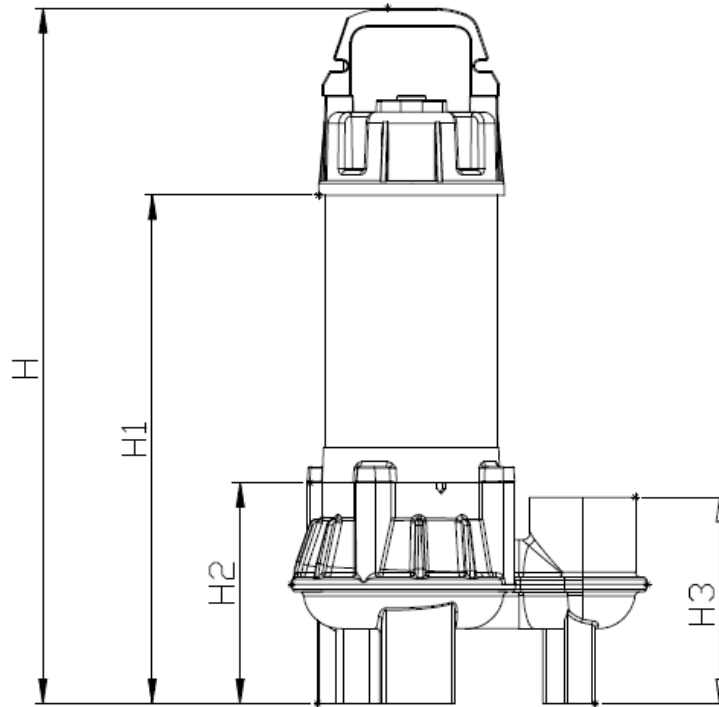
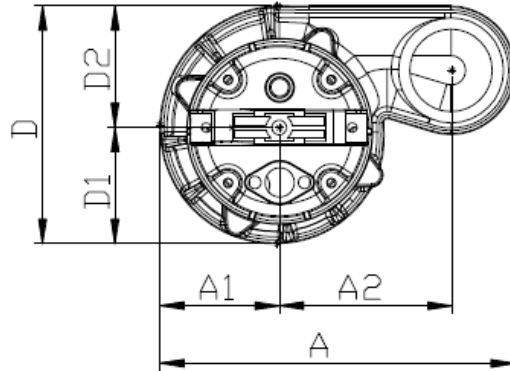




# SEW-200



TYPE	DISCHARGE	A	A1	A2	D	D1	D2	H	H1	H2	H3
SEW-200	2" NPT female	10.67	3.66	5.31	7.32	3.46	3.86	20.47	15.59	5.94	5.63

Specifications subject to change without notice