



TYPE "B" SINGLE STAGE
CENTRIFUGAL PUMP
Bearing Frame Mount

Section	FM
Page	90.1
Date	January 1, 2004
Supersedes 12/1/95	

CAST IRON IMPELLER

B2ERBH

Threaded Case (NPT)

Packing Construction

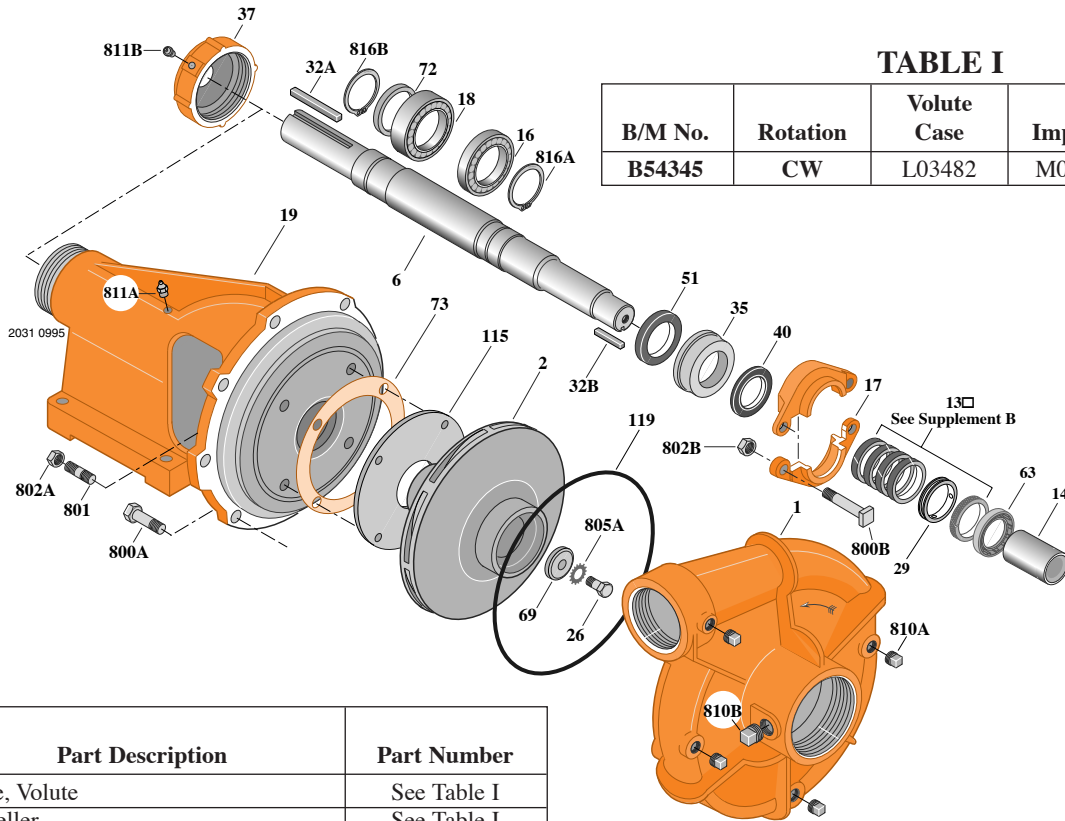


TABLE I

B/M No.	Rotation	Volute Case	Impeller	Impeller Diameter
B54345	CW	L03482	M05171	10.38"

Item No.	Part Description	Part Number
1	Case, Volute	See Table I
2	Impeller	See Table I
6	Shaft (Not sold separately)	See Note 1
13	Ring, Packing (Set of 4)	S13436
14	Sleeve, Shaft	S05974
16	Bearing, Ball	S13395
17	Gland, Packing	M13599
18	Bearing, Ball	S13754
19	Frame	H01941
26	Screw, Impeller 1/2-13x1-1/4"	S23621
29	Ring, Lantern	S18993
32A	Key, 1/2x4"	S24214
32B	Key, 1/4x1-1/2"	S24170
35	Inner Bearing Cap	S13213
37	Outer Bearing Cap	M04551
40	Slinger, Water	S10964
51	Seal, Oil	S14764
63	Bushing, Throat	S14122
69	Washer, Impeller	S06319
72	Ring, Thrust	S19221
73	Gasket, Balance Ring	S09943
115	Ring, Balance	S13840
119	O-Ring	S13760
800A	Capscrew, Hex 1/2-13x1-1/4" (8 Req.)	S26914
800B	Bolt, Sq. Head 1/2-13x2-1/2" (2 Req.)	S23793
801	Stud, 3/8-16x1-3/8" (4 Req.)	S09942

Item No.	Part Description	Part Number
802A	Nut, Hex 3/8-16 (4 Req.)	S23103
802B	Nut, Hex 1/2-13x7/16" (2 Req.)	S23347
805A	Washer, Lock	S23038
810A	Plug, Pipe 1/4 NPT (4 Req.)	S23715
810B	Plug, Pipe 1/2 NPT	S23717
811A	Fitting, Grease	S23670
811B	Fitting, Grease (3 Req.)	S23700
816A	Ring, Retaining	S23016
816B	Ring, Retaining	S23017
•	Screw, Set (Outer Bearing Cap)	S23982

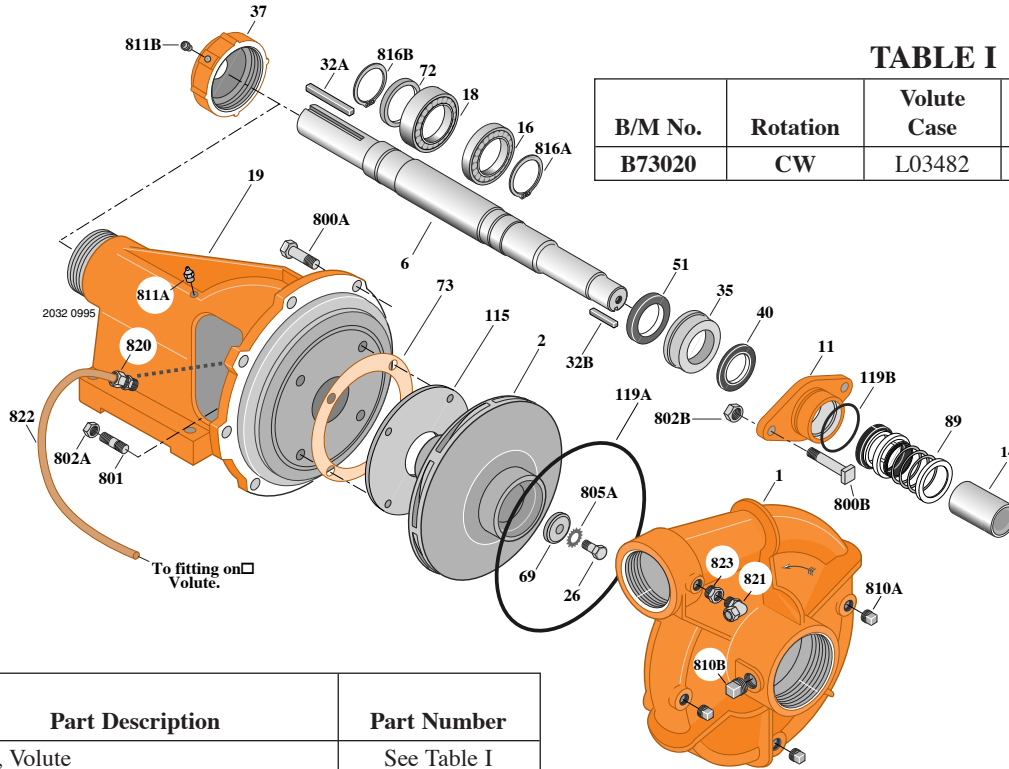
• Not illustrated.

1. **Shaft Replacement Kit** available for this model. Berkeley part number **B60659**. Pump Shaft sold in shaft replacement kit only.



TYPE "B" SINGLE STAGE CENTRIFUGAL PUMP Bearing Frame Mount

Section	FM
Page	90.2
Date	January 1, 2004
Supersedes 12/1/95	

CAST IRON IMPELLER
B2ERBHS
Threaded Case (NPT)
Mechanical Seal Construction

TABLE I

B/M No.	Rotation	Volute Case	Impeller	Impeller Diameter
B73020	CW	L03482	M05171	10.38"

Item No.	Part Description	Part Number
1	Case, Volute	See Table I
2	Impeller	See Table I
6	Shaft (Not sold separately)	See Note 1
11	Retainer, Mechanical Shaft Seal	S11452
14	Sleeve, Shaft	S05974
16	Bearing, Ball	S13395
18	Bearing, Ball	S13754
19	Frame	H05508
26	Screw, Impeller 1/2-13x1-1/4"	S23621
32A	Key, 1/2x4"	S24214
32B	Key, 1/4x1-1/2"	S24170
35	Inner Bearing Cap	S13213
37	Outer Bearing Cap	M04551
40	Slinger, Water	S10964
51	Seal, Oil	S14764
69	Washer, Impeller	S06319
72	Ring, Thrust	S19221
73	Gasket, Balance Ring	S09943
89	Seal, Mechanical Shaft	S32693
115	Ring, Balance	L07977
119A	O-Ring	S13760
119B	O-Ring	S24599
800A	Capscrew, Hex 1/2-13x1-1/2" (8 Req.)	S26916
800B	Bolt, Sq. Head 1/2-13x2-1/4" (2 Req.)	S23792
801	Stud, 3/8-16x1-1/4" (4 Req.)	S23994
802A	Nut, Hex 3/8-16 (4 Req.)	S23103
802B	Nut, Hex 1/2-13x7/16" (2 Req.)	S23347

Item No.	Part Description	Part Number
805A	Washer, Lock	S23038
810A	Plug, Pipe 1/4 NPT (4 Req.)	S23715
810B	Plug, Pipe 1/2 NPT (2 Req.)	S23717
811A	Fitting, Grease	S23670
811B	Fitting, Grease (2 Req.)	S23700
816A	Ring, Retaining	S23016
816B	Ring, Retaining	S23017
820	Connector, Comp. Fitting	S24013
821	Elbow, Comp. Fitting Tube	S24128
822	Tubing, Copper	S20677
823	Bushing, Pipe	S24600
•	Screw, Set (Outer Bearing Cap)	S23982

• Not illustrated.

- Shaft Replacement Kit** available for this model. Berkeley part number **B60659**. Pump Shaft sold in shaft replacement kit only.