

# **BALDOR**® • **RELIANCE**

## **Product Information Packet**

### **AEM2238-4**

**10HP,1765RPM,3PH,60HZ,256U,0932M,TEFC,F1**

Part Detail							
Revision:	F	Status:	PRD/A	Change #:		Proprietary:	No
Type:	AC	Prod. Type:	0932M	Elec. Spec:	09WGZ993	CD Diagram:	CD0006
Enclosure:	TEFC	Mfg Plant:		Mech. Spec:	09T36	Layout:	09LYT036
Frame:	256U	Mounting:	F1	Poles:	04	Created Date:	02-21-2015
Base:	RG	Rotation:	R	Insulation:	F	Eff. Date:	06-15-2016
Leads:	3#12					Replaced By:	
Literature:		Elec. Diagram:					

Nameplate NP1404E	
CAT.NO.	AEM2238-4
SPEC.	09T036Z993G1
VOLTS	460
AMP	12.2
RPM	1765
	HP 10
FRAME	256U
	HZ 60
	PH 3
SER.F.	1.00
	CODE H
	DES B
	CL F
NEMA-NOM-EFF	91.7
	PF 82
G.MIN.EFF	90.2
	CC 010A
RATING	65C AMB-CONT
LUBRICATION	POLYREX EM
DE	6309
	ODE 6208
ENCL	TEFC
	SER. #

Parts List		
Part Number	Description	Quantity
SA294164	SA 09T036Z993G1	1.000 EA
RA280246	RA 09T036Z993G1	1.000 EA
09FN3001D01	EXTERNAL FAN, PLASTIC	1.000 EA
S/P107-000-005	SUPER-E PROC'S(254/6 FR.) ZK PLANT - POL	1.000 EA
HW1002A63	WASHER, 5/8 HI-COLLAR SPRLCKWASHER	1.000 EA
09CB1002A12P	KOBX W/1.25 NPT LEAD HOLE & 2.38 MTG HOL	1.000 EA
09GS1010	GASKET, DWG, LEADWIRE SEPERATOR	1.000 EA
10XN2520K12	1/4-20 X.75 GRD 5	4.000 EA
HW1001A25	LOCKWASHER 1/4, ZINC PLT .493 OD, .255 I	4.000 EA
09EP1100A14E	ENDPLATE, MACH W/E-COAT	1.000 EA
WD1000B16	T&B CX70TN TERMINAL	1.000 EA
10XN2520K06	1/4-20 X 3/8" HX HD SCREWGRADE 5, ZINC P	1.000 EA
HW1001A25	LOCKWASHER 1/4, ZINC PLT .493 OD, .255 I	1.000 EA
HA3400A33	STUD- 3/8-16 X 4.82 HEX WELKER	4.000 EA
HW1001A38	LOCKWASHER 3/8, ZINC PLT .688 OD, .382 I	4.000 EA
HW4600B44	V-RING SLINGER 1.500 X 1.810 X .28 VITON	1.000 EA
12CB1500A01P	CONDUIT BOX LID, MACH W/EPOXY PRIMER	1.000 EA
HA1005A12SP	SLINGER, OD 2.50, ID 1.433, 208 BRG	1.000 EA
HW5100A08	W3118-035 WVY WSHR (WB)	1.000 EA
10XN2520K28	1/4-20 X 1.75" HX HD SCRWGRADE 5, ZINC P	2.000 EA
09EP1101A11E	MACH'D E-COAT EP	1.000 EA
10XN3816K24	3/8-16 X 1.50 HEX HD CAP SCREW, GRADE 5	4.000 EA
HW1001A38	LOCKWASHER 3/8, ZINC PLT .688 OD, .382 I	4.000 EA
10XN2520K36	1/4-20 X 2.25" HX HD SCRWGRADE 5, ZINC P	4.000 EA

<b>Parts List (continued)</b>		
<b>Part Number</b>	<b>Description</b>	<b>Quantity</b>
09FH4000P	FAN COVER, STAMPED W/EPOXY PRIMER	1.000 EA
XY3816A12	3/8-16 FINISHED NUT	4.000 EA
HW1001A38	LOCKWASHER 3/8, ZINC PLT .688 OD, .382 I	4.000 EA
12GS1002	GASKET, CONDUIT BOX LID, NEOP	1.000 EA
10XN3118K24	5/16-18 X 1.50" HEX HD, GRADE 5	2.000 EA
HW1001A31	LOCKWASHER 5/16, ZINC PLT.591 OD, .319 I	2.000 EA
HW2501F24	KEY, 5/16 SQ X 2.750	1.000 EA
MJ5001A27	32220KN GRAY SEALER *MIN BUY 4 QTS=1GAL	0.031 QT
MJ5002A01	SILICON RUBBER SEALANT, 732CL 10.3 OZ TU	0.050 EA
MJ5001A14	DYNAPRO SEAL, CP MOTORS VC#2508050 (603	0.001 EA
MJ5004A04	ADHESIVE LOCTITE 609	0.005 EA
LB1115N	LABEL,LIFTING DEVICE (ON ROLLS)	1.000 EA
WD1000B07	T&B C71, RING TERM 10-12 AWG, .25" STUD	3.000 EA
HW4500A20	1/8NPT SL PIPE PLUG	2.000 EA
HA4054	SHORT T-DRAIN FITTING, .125" N.P.T.	1.000 EA
MJ1000A02	GREASE, POLYREX EM EXXON (USe 4824-15A)	0.080 LB
HW4500A20	1/8NPT SL PIPE PLUG	3.000 EA
HW2500A25	WOODRUFF KEY USA #1008 #BLOW CARBON STEE	1.000 EA
51XB1214A20	12-14X1.25 HXWSSLD SERTYB	1.000 EA
MG1025G02	WILKOFASST, 782.02, LIGHT GRAY	0.050 GA
85XU0407S04	4X1/4 U DRIVE PIN STAINLESS	2.000 EA
LB1119N	WARNING LABEL	1.000 EA
LC0006	CONNECTION LABEL	1.000 EA
NP1404E	SS UL CSA CC "AUTOMOTIVE"	1.000 EA

09PA1000	PACKAGING GROUP COMBINED PRINT	1.000 EA
MN416A01	TAG-INSTAL-MAINT no wire (1200/bx) 11/14	1.000 EA

<b>Accessories</b>		
<b>Part Number</b>	<b>Description</b>	<b>Multiplier</b>
09-1309	C FACE KIT	A8

**AC Induction Motor Performance Data**

Record # 49356 - Typical performance - not guaranteed values

<b>Winding:</b> 09WGZ993-R003	<b>Type:</b> 0932M	<b>Enclosure:</b> TEFC
-------------------------------	--------------------	------------------------

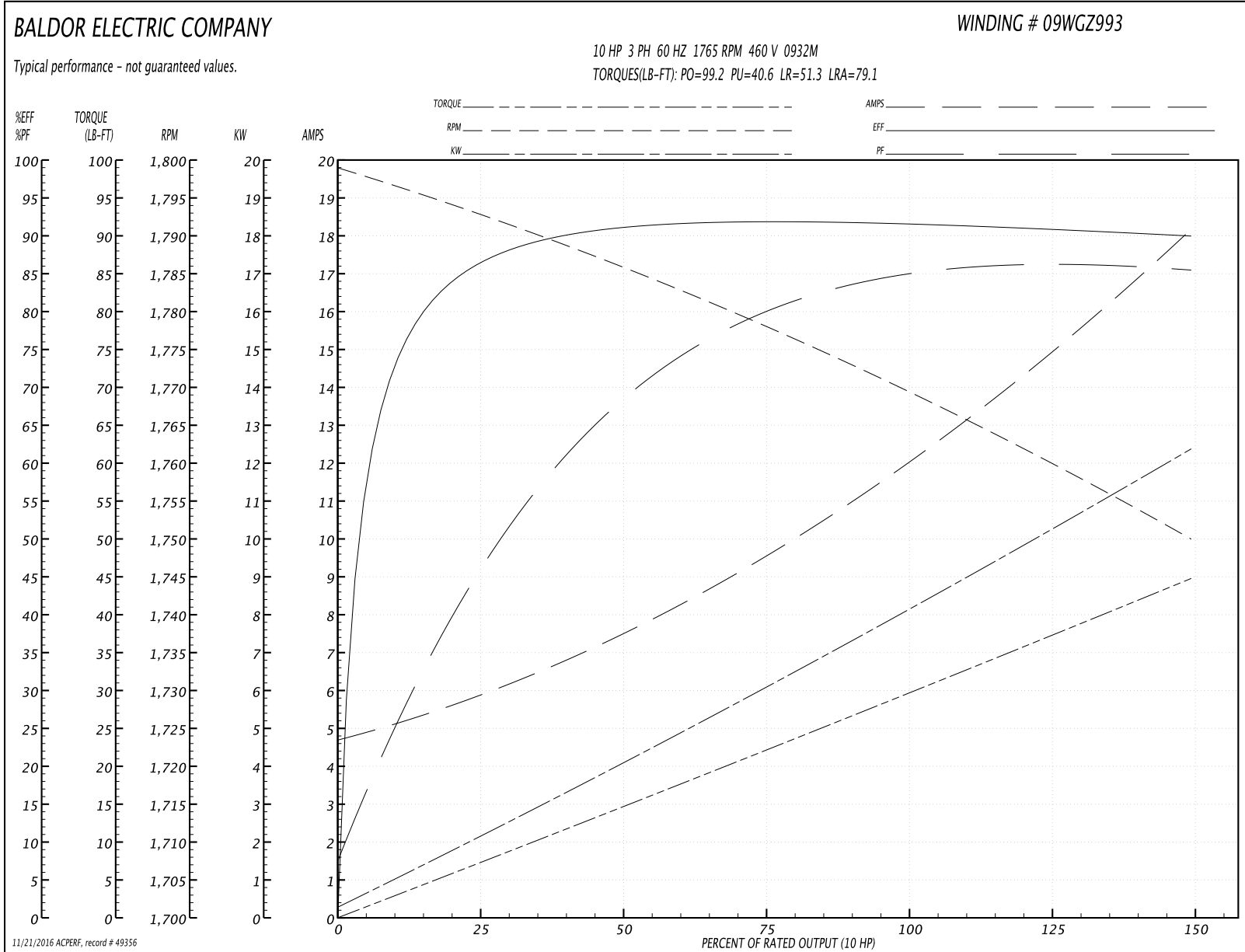
Nameplate Data				460 V, 60 Hz: Single Voltage Motor	
Rated Output (HP)	10			Full Load Torque	29.5 LB-FT
Volts	460			Start Configuration	direct on line
Full Load Amps	12.2			Breakdown Torque	99.2 LB-FT
R.P.M.	1765			Pull-up Torque	40.6 LB-FT
Hz	60	Phase	3	Locked-rotor Torque	51.3 LB-FT
NEMA Design Code	B	KVA Code	H	Starting Current	79.1 A
Service Factor (S.F.)	1			No-load Current	4.9 A
NEMA Nom. Eff.	91.7	Power Factor	82	Line-line Res. @ 25°C	1.02 Ω
Rating - Duty	65C AMB-CONT			Temp. Rise @ Rated Load	33°C
				Locked-rotor Power Factor	36
				Rotor inertia	1.4 LB-FT <sup>2</sup>

Load Characteristics 460 V, 60 Hz, 10 HP

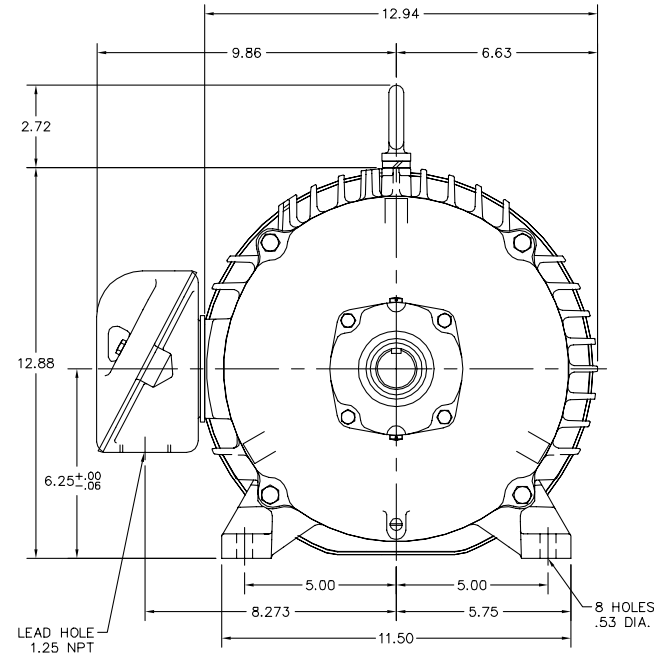
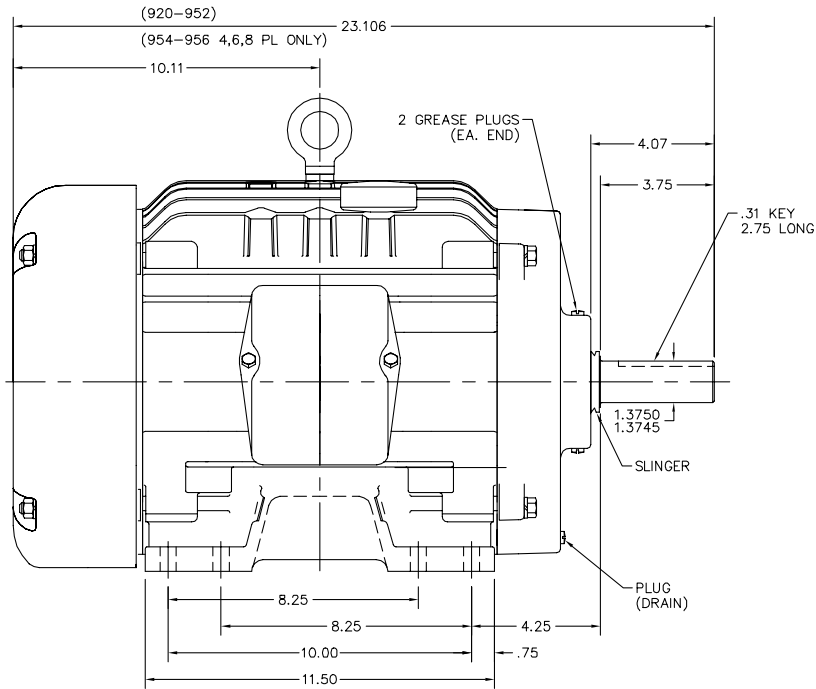
% of Rated Load	25	50	75	100	125	150
Power Factor	47	70	80	83	85	86
Efficiency	85.8	90.8	92	91.7	91	89.9
Speed	1793	1786	1778	1770	1760	1750
Line amperes	5.62	7.27	9.5	12.2	15	18



Performance Graph at 460V, 60Hz, 10.0HP Typical performance - Not guaranteed values



09LYT036



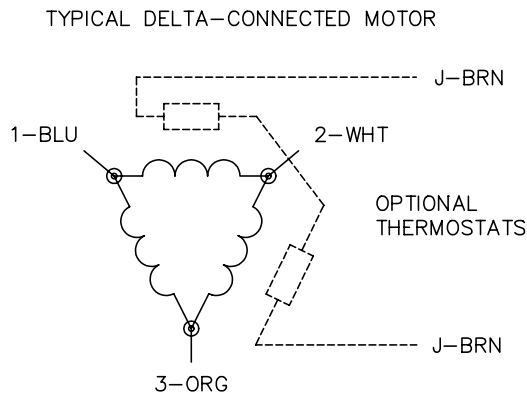
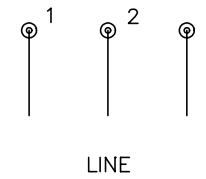
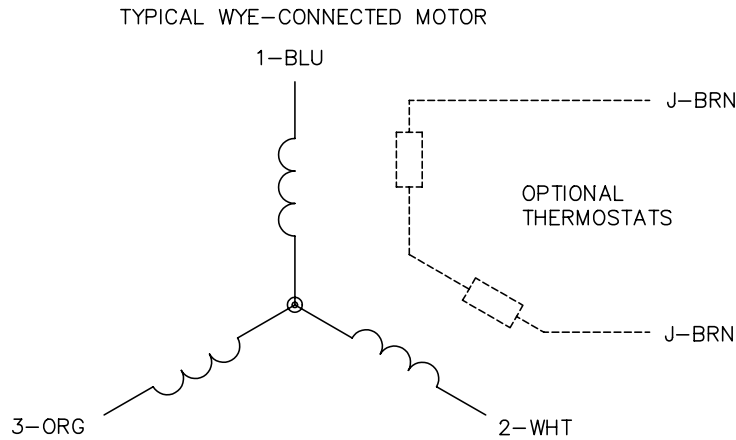
09LYT036

CUSTOMER IS RESPONSIBLE FOR DETERMINING THAT BALDOR'S PRODUCT WILL PERFORM SUITABLY IN THE INTENDED APPLICATION. GM SPECS

REV. DESC: REMOVE LOCKNUT	VERSION: 03	TDR: 000000955506
REV. LTR: K	REVISED: 02:00:24 12/01/2015	BY: ENMARSO
FILE: \AAA\00007\874		
MTL: -		

**BALDOR**  
 HORZ TEFC 254-6U (GM SPECS)  
 SH 1 of 1

CD0006



NOTES:

1. THREE LEAD MOTOR MAY BE EITHER WYE CONNECTED OR DELTA CONNECTED.
2. INTERCHANGE ANY TWO LINE LEADS TO REVERSE ROTATION.
3. OPTIONAL THERMOSTATS ARE PROVIDED WHEN SPECIFIED.
4. ACTUAL NUMBER OF INTERNAL PARALLEL CIRCUITS MAY VARY.
5. LEAD COLORS ARE OPTIONAL. LEADS MUST BE NUMBERED AS SHOWN.

REV. DESC: REVISE TO SHOW OPTIONAL COLORS			
REV. LTR: D	BY: JLP	REVISED: 01/21/99 4:02	TDR: 0171435
9000D		FILE: AAA00005141	MDL: -
		MTL: -	

**BALDOR ELECTRIC Co.**

3PH, SV, 3 LEADS, WYE OR DELTA CONNECTED

CD0006