

# **BALDOR**® • *RELIANCE*

## **Product Information Packet**

# **CEM3219T**

**7.5HP,3450RPM,3PH,60HZ,184TC,3632M,OPSB**

Part Detail							
Revision:	H	Status:	PRD/A	Change #:		Proprietary:	No
Type:	AC	Prod. Type:	3632M	Elec. Spec:	36WGS516	CD Diagram:	CD0005
Enclosure:	OPSB	Mfg Plant:		Mech. Spec:	36B102	Layout:	36LYB102
Frame:	184TC	Mounting:	F1	Poles:	02	Created Date:	07-30-2010
Base:	RG	Rotation:	R	Insulation:	F	Eff. Date:	11-09-2016
Leads:	9#16					Replaced By:	
Literature:		Elec. Diagram:					

<b>Nameplate NP3553L</b>										
<b>CAT.NO.</b>	CEM3219T									
<b>SPEC.</b>	36B102S516G1									
<b>HP</b>	7.5									
<b>VOLTS</b>	230/460									
<b>AMP</b>	17.2/8.6									
<b>RPM</b>	3450									
<b>FRAME</b>	184TC					<b>HZ</b>	60		<b>PH</b>	3
<b>SER.F.</b>	1.15			<b>CODE</b>	L	<b>DES</b>	A		<b>CL</b>	F
<b>NEMA-NOM-EFF</b>	88.5			<b>PF</b>	89					
<b>RATING</b>	40C AMB-CONT									
<b>CC</b>	010A					<b>USABLE AT 208V</b>			18	
<b>DE</b>	6206				<b>ODE</b>	6205				
<b>ENCL</b>	OPSB			<b>SN</b>						
<b>VPWM INVERTER READY</b>										
<b>CT30-60(2:1) VT3-60(20:1)</b>										

Parts List		
Part Number	Description	Quantity
SA200636	SA 36B102S516G1	1.000 EA
RA187947	RA 36B102S516G1	1.000 EA
36CB3004	36 CB CASTING W/1.09 DIA LEAD HOLE @ 6:0	1.000 EA
51XB1016A08	10-16X 1/2HXWSSLD SERTYB	2.000 EA
11XW1032G06	10-32 X .38, TAPTITE II, HEX WSHR SLTD U	1.000 EA
HW3001B01	BRASS CUP WASHER, FOR #8 SCREW	1.000 EA
36EP3200A01	FR ENDPLATE, ASSEMBLY FOR ROUTING	1.000 EA
HW4500A01	1641B(ALEMITE)400 UNIV, GREASE FITT	1.000 EA
HW5100A05	WVY WSHR F/205 & 304 BRGS	1.000 EA
36EP3403A02	PU ENDPLATE, MACH	1.000 EA
HW4500A01	1641B(ALEMITE)400 UNIV, GREASE FITT	1.000 EA
10XN2520A28	1/4-20X 1 3/4 HEX HD	4.000 EA
HW1001A25	LOCKWASHER 1/4, ZINC PLT .493 OD, .255 I	4.000 EA
36CB4516	36 LIPPED CB LID	1.000 EA
51XW0832A07	8-32 X .44, TAPTITE II, HEX WSHR SLTD SE	4.000 EA
HW2501E16	3KEY, 1/4 SQ X 1.750	1.000 EA
HA7000A02	KEY RETAINER RING, 1 1/8 DIA, 1 3/8 DIA	1.000 EA
85XU0407S04	4X1/4 U DRIVE PIN STAINLESS	2.000 EA
MJ1000A02	GREASE, POLYREX EM EXXON (USe 4824-15A)	0.050 LB
MG1000Y03	MUNSELL 2.53Y 6.70/ 4.60, GLOSS 20,	0.022 GA
HA3101A25	THRUBOLT 1/4-20 X 11.000 OHIO ROD	4.000 EA
36AD2004A01	BAFFLE PLATE,MOD 36-SLTD BAND MTRS DELTA	2.000 EA
LC0005E01	CONN.DIA./WARNING LABEL (LC0005/LB1119N)	1.000 EA
NP3553L	ALUM SUPER-E VPWM INVERTER READY UL	1.000 EA

<b>Parts List (continued)</b>		
<b>Part Number</b>	<b>Description</b>	<b>Quantity</b>
36PA1000	PKG GRP, PRINT PK1016A06	1.000 EA
MN416A01	TAG-INSTAL-MAINT no wire (1200/bx) 11/14	1.000 EA

**AC Induction Motor Performance Data**

Record # 51132 - Typical performance - not guaranteed values

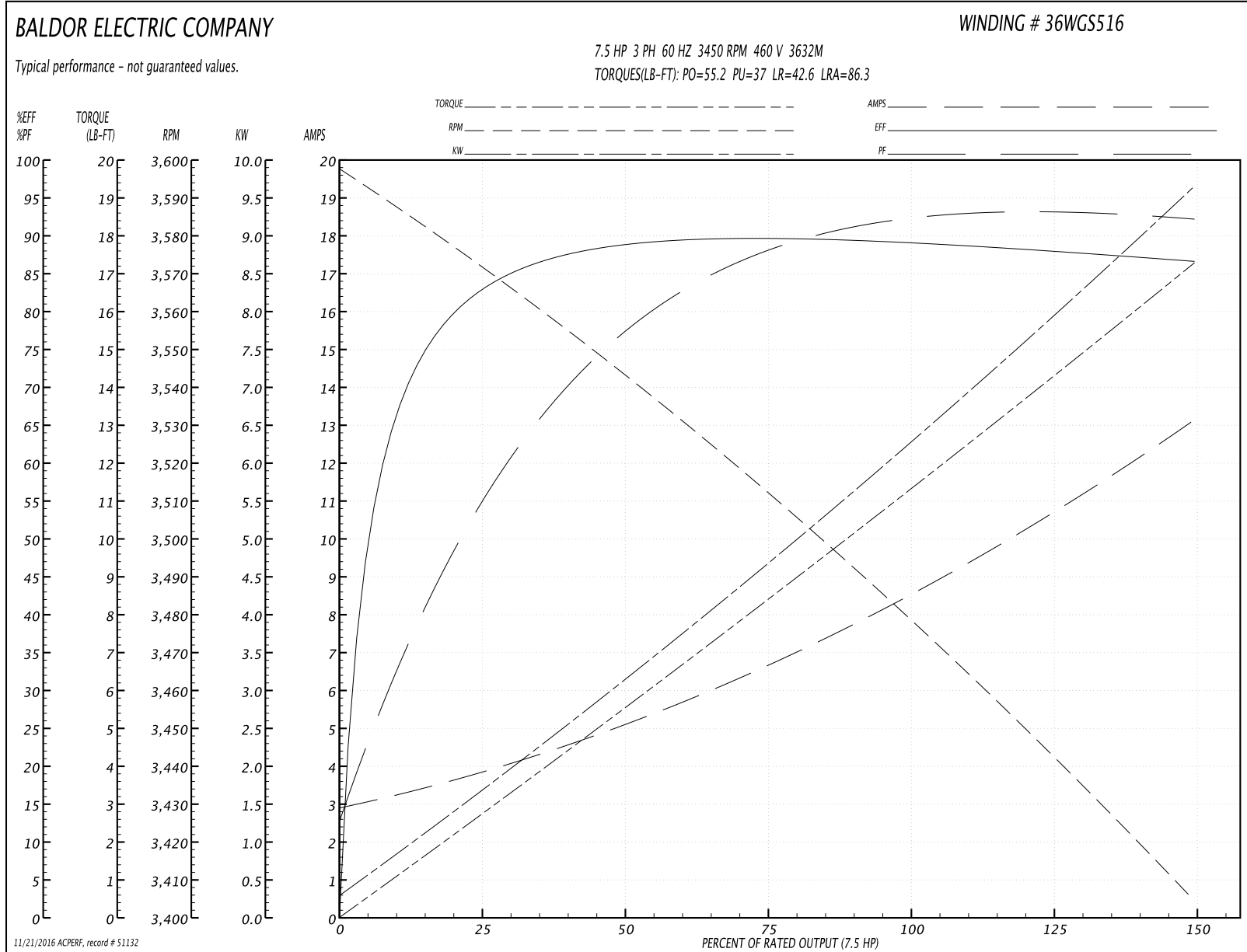
<b>Winding:</b> 36WGS516-R012	<b>Type:</b> 3632M	<b>Enclosure:</b> ODP
-------------------------------	--------------------	-----------------------

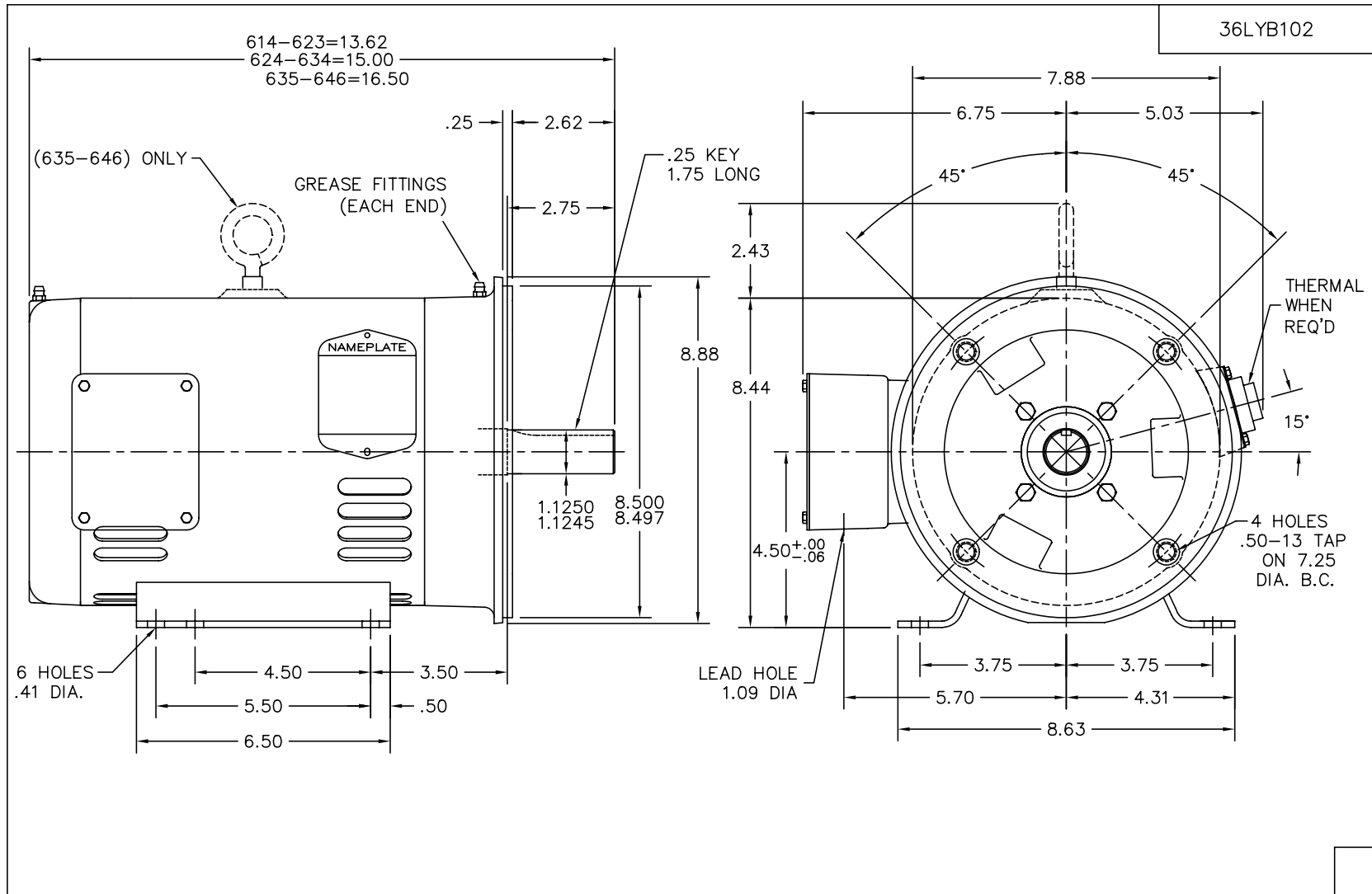
Nameplate Data				460 V, 60 Hz: High Voltage Connection	
Rated Output (HP)	7.5			Full Load Torque	11.3 LB-FT
Volts	230/460			Start Configuration	direct on line
Full Load Amps	17.2/8.6			Breakdown Torque	55.2 LB-FT
R.P.M.	3450			Pull-up Torque	37 LB-FT
Hz	60	Phase	3	Locked-rotor Torque	42.6 LB-FT
NEMA Design Code	A	KVA Code	L	Starting Current	86.3 A
Service Factor (S.F.)	1.15			No-load Current	3.02 A
NEMA Nom. Eff.	88.5	Power Factor	89	Line-line Res. @ 25°C	1.59 Ω
Rating - Duty	40C AMB-CONT			Temp. Rise @ Rated Load	43°C
S.F. Amps				Temp. Rise @ S.F. Load	53°C
				Locked-rotor Power Factor	47.4
				Rotor inertia	0.143 LB-FT <sup>2</sup>

Load Characteristics 460 V, 60 Hz, 7.5 HP

% of Rated Load	25	50	75	100	125	150	S.F.
Power Factor	57	80	87	91	93	93	92
Efficiency	82.2	88.2	89.5	89.4	88.4	86.4	88.8
Speed	3572	3543	3513	3479	3443	3404	3457
Line amperes	3.68	4.98	6.72	8.63	10.7	13.1	9.87

Performance Graph at 460V, 60Hz, 7.5HP Typical performance - Not guaranteed values





CUST. NAME		CUST. P.O.		CERTIFIED BY		MODEL		INSUL		AMB	
H.P.		MTG		TYPE		R.P.M.		VOLTS		ENCL	
PHASE		FREQ		FRAME		REV. DESC: OPSB WAS OPEN IN THE DESC.					
REV. LTR: D	BY: SSS	REVISED: 07/28/99 2:06		TDR: 0187013		<b>BALDOR ELECTRIC Co.</b>					
36LYB102		FILE: AAA00048653		MDL: -							
MTL: -						HORZ 182-4TC OPSB 36M					

36LYB102

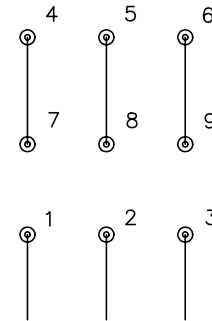
CD0005



LOW VOLTAGE  
(2Y)



HIGH VOLTAGE  
(1Y)



NOTES:

1. INTERCHANGE ANY TWO LINE LEADS TO REVERSE ROTATION.
2. OPTIONAL THERMOSTATS ARE PROVIDED WHEN SPECIFIED.
3. ACTUAL NUMBER OF INTERNAL PARALLEL CIRCUITS MAY BE A MULTIPLE OF THOSE SHOWN ABOVE.
4. LEAD COLORS ARE OPTIONAL. LEADS MUST ALWAYS BE NUMBERED AS SHOWN.

REV. DESC: REVISE TO SHOW OPTIONAL COLORS			
REV. LTR: E	BY: JLP	REVISED: 01/19/99 10:15	TDR: 0171435
90000		FILE: AAA00005140	MDL: -
		MTL: -	

**BALDOR ELECTRIC Co.**

3PH, DV, 9 LEADS

CD0005