

# **BALDOR**® • ***RELIANCE***

## **Product Information Packet**

# **CEM7026T-I-5**

**3HP,3450RPM,3PH,60HZ,182TC,3622M,XPFC,F1**

Part Detail							
Revision:	E	Status:	PRD/A	Change #:		Proprietary:	No
Type:	AC	Prod. Type:	3622M	Elec. Spec:	36WGS504	CD Diagram:	CD0006
Enclosure:	XPFC	Mfg Plant:		Mech. Spec:	36P268	Layout:	36LYP268
Frame:	182TC	Mounting:	F1	Poles:	02	Created Date:	12-03-2013
Base:	RG	Rotation:	R	Insulation:	F	Eff. Date:	08-31-2016
Leads:	3#16					Replaced By:	
Literature:		Elec. Diagram:					

Nameplate NP0977XPSL											
NO.							CC	010A			
SER.								TEMP CODE	T3C		
SPEC.	36P268S504G1										
CAT.NO.	CEM7026T-I-5										
HP	3										
VOLTS	575										
AMPS	2.9										
RPM	3450						MOTOR WEIGHT	80			
HERTZ	60			PH	3	CL	F	DE BRG	6206		
SER.F.	1.15			DES	B	CODE	K	ODE BRG	6205		
FRAME	182TC			GREASE	POLYREX EM						
RATING	40C AMB-CONT 55C AMB @ 1.0 SF										
USABLE AT 208V							NEMA-NOM-EFF	86.5		PF	91
	NEMA MG-1 PT 5,IP55										

Parts List		
Part Number	Description	Quantity
SA273301	SA 36P268S504G1	1.000 EA
RA259900	RA 36P268S504G1	1.000 EA
34FN3002A02	EXTERNAL FAN, PLASTIC, .905/.907 HUB W/	1.000 EA
35CB1005A01	CONDUIT BOX,MACH - GROUP "C" MTRS	1.000 EA
06EP1709A05	FRONT XPFC 205 BRG GRP C W/ DRAIN (HW450	1.000 EA
HW4506A02	BREATHER/DRAIN-EXP PROOF-.125-27 NPTF AI	1.000 EA
HW3022E05	.125 DIA X .500 ROLLED SPRING PIN	1.000 EA
HW4500A19	1/4-28X1/4 SLOTTED PLUG F/S	2.000 EA
HW5100A05	WVY WSHR F/205 & 304 BRGS	1.000 EA
36EP1703A20	PULLEY 182-4TC EX-PROOF W/SLINGER & DRAI	1.000 EA
HA2071A01	SLINGER ALUM (AUTO)	1.000 EA
80XN1032A06	10-32 X 3/8 SET SC HEX SOCK	2.000 EA
HW4506A02	BREATHER/DRAIN-EXP PROOF-.125-27 NPTF AI	1.000 EA
HW3022E05	.125 DIA X .500 ROLLED SPRING PIN	1.000 EA
HW4001A01	1/4 HX SOC PIPE PLG (F/S) ALLOY STEEL W/	2.000 EA
60XN1032A07	10-32 X 1/2 TRUSS HEAD, TORX SERRATED ZN	2.000 EA
51XN1032A20	10-32 X 1 1/4 HX WS SL SR	2.000 EA
36FH2000A05	FAN COVER, MACH W/(2) GRSR HOLES	1.000 EA
12XF1032A08	10-32X1/2 TY F HEX X	4.000 EA
35CB1501A01	CONDUIT BOX LID, MACH. - GROUP "C" MTRS	1.000 EA
RM1020A41	O-RING, -150 BUNA-N, .103 CS X 2.862 ID	1.000 EA
HW2501E16	3KEY, 1/4 SQ X 1.750	1.000 EA
HA7000A02	KEY RETAINER RING, 1 1/8 DIA, 1 3/8 DIA	1.000 EA
85XU0407S04	4X1/4 U DRIVE PIN STAINLESS	6.000 EA

<b>Parts List (continued)</b>		
<b>Part Number</b>	<b>Description</b>	<b>Quantity</b>
LB1359F	ALUM XP CAUTION LABEL	1.000 EA
LB9002A50	CMC-5000 BRADY WIRE MARK	1.000 EA
MJ1000A02	GREASE, POLYREX EM EXXON (USe 4824-15A)	0.050 LB
51XB1214A16	12-14X1.00 HXWSSLD SERTYB	1.000 EA
MG1025G29	WILKOFASST, 789.229, DARK CHARCOAL GRAY	0.022 GA
HA3105A06	THRUBOLT- 3/8-16 X 10.500 X	4.000 EA
LB1119N	WARNING LABEL	1.000 EA
LC0006	CONNECTION LABEL	1.000 EA
MN416A01	TAG-INSTAL-MAINT no wire (1200/bx) 11/14	1.000 EA
NP0977XPSL	SS XP UL CSA CC CL-I GP-C&D	1.000 EA
G0PA1000	PKG GRP, PRINT PK1026A06	1.000 EA

**AC Induction Motor Performance Data**

Record # 50287 - Typical performance - not guaranteed values

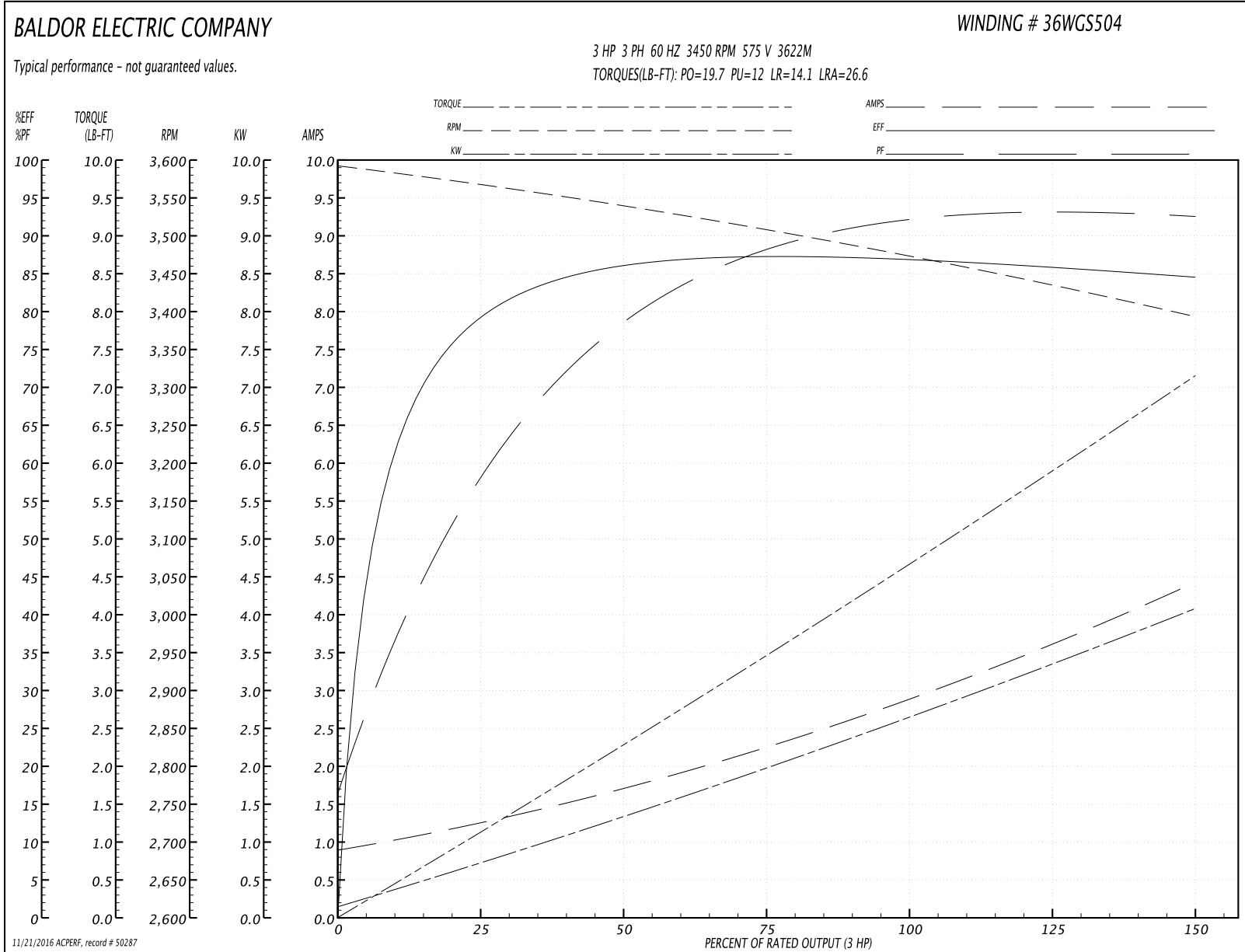
<b>Winding:</b> 36WGS504-R004	<b>Type:</b> 3622M	<b>Enclosure:</b> XPFC
-------------------------------	--------------------	------------------------

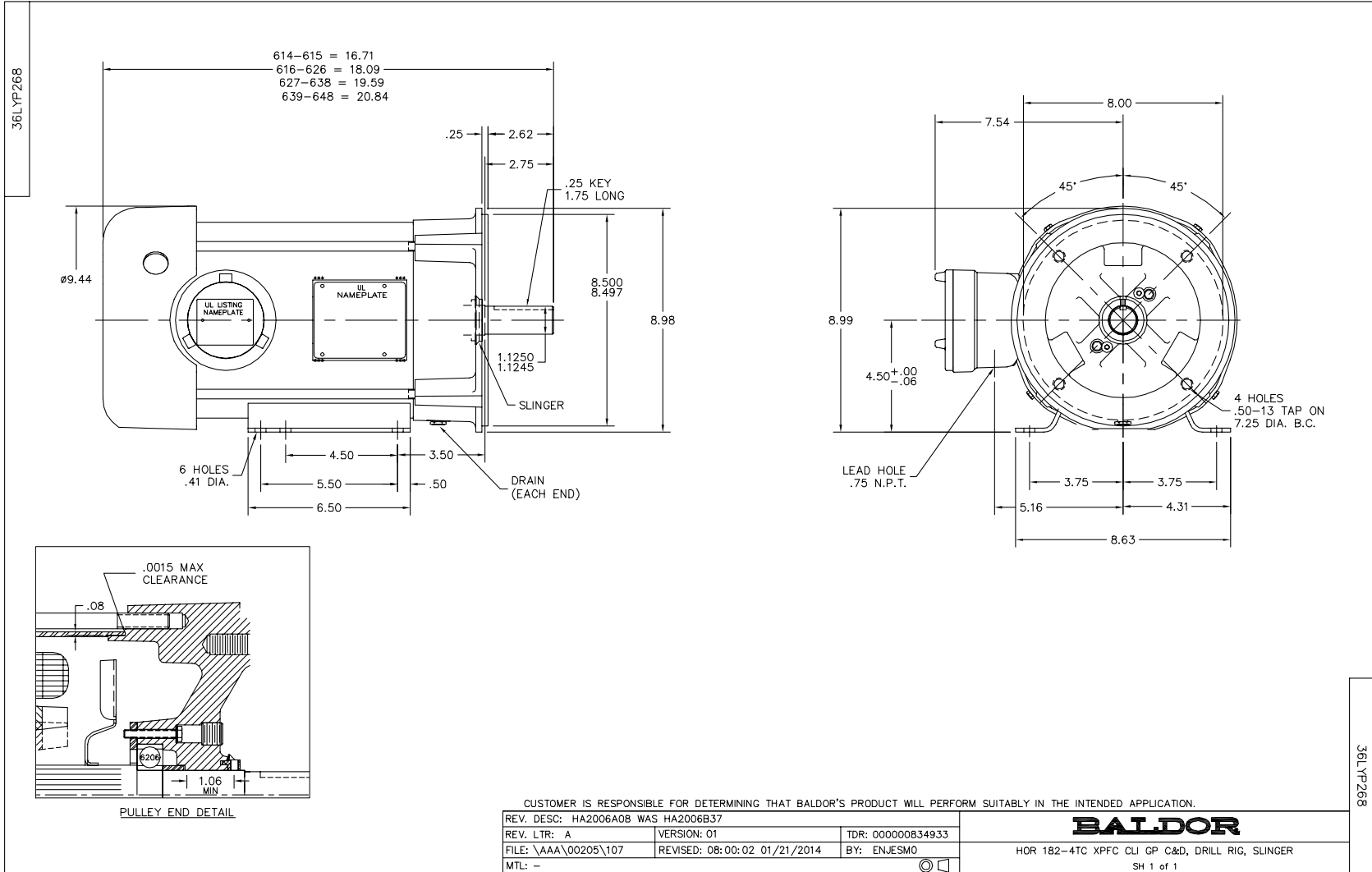
Nameplate Data				575 V, 60 Hz: Single Voltage Motor	
Rated Output (HP)	3			Full Load Torque	4.71 LB-FT
Volts	575			Start Configuration	direct on line
Full Load Amps	2.9			Breakdown Torque	19.7 LB-FT
R.P.M.	3450			Pull-up Torque	12 LB-FT
Hz	60	Phase	3	Locked-rotor Torque	14.1 LB-FT
NEMA Design Code	B	KVA Code	K	Starting Current	26.6 A
Service Factor (S.F.)	1.15			No-load Current	0.936 A
NEMA Nom. Eff.	86.5	Power Factor	91	Line-line Res. @ 25°C	7.26 Ω
Rating - Duty	40C AMB-CONT			Temp. Rise @ Rated Load	52°C
S.F. Amps				Temp. Rise @ S.F. Load	64°C
				Locked-rotor Power Factor	48.2
				Rotor inertia	0.0984 LB-FT <sup>2</sup>

Load Characteristics 575 V, 60 Hz, 3 HP

% of Rated Load	25	50	75	100	125	150	S.F.
Power Factor	66	82	88	91	92	93	92
Efficiency	80.4	86	87.4	87	86	84.4	86.4
Speed	3565	3535	3504	3472	3434	3393	3449
Line amperes	1.25	1.74	2.35	2.94	3.66	4.4	3.37

Performance Graph at 575V, 60Hz, 3.0HP Typical performance - Not guaranteed values





CD0006



NOTES:

1. THREE LEAD MOTOR MAY BE EITHER WYE CONNECTED OR DELTA CONNECTED.
2. INTERCHANGE ANY TWO LINE LEADS TO REVERSE ROTATION.
3. OPTIONAL THERMOSTATS ARE PROVIDED WHEN SPECIFIED.
4. ACTUAL NUMBER OF INTERNAL PARALLEL CIRCUITS MAY VARY.
5. LEAD COLORS ARE OPTIONAL. LEADS MUST BE NUMBERED AS SHOWN.

REV. DESC: REVISE TO SHOW OPTIONAL COLORS			
REV. LTR: D	BY: JLP	REVISED: 01/21/99 4:02	TDR: 0171435
9000D		FILE: AAA00005141	MDL: -
		MTL: -	

**BALDOR ELECTRIC Co.**

3PH, SV, 3 LEADS, WYE OR DELTA CONNECTED

CD0006