

BALDOR® • **RELIANCE**

Product Information Packet

CJL1303A

.5HP,3450RPM,1PH,60HZ,56J,3420L,OPEN,F1

Part Detail							
Revision:	X	Status:	PRD/A	Change #:		Proprietary:	No
Type:	AC	Prod. Type:	3420L	Elec. Spec:	34WG2413	CD Diagram:	CD0307
Enclosure:	OPEN	Mfg Plant:		Mech. Spec:	34F492	Layout:	34LYF492
Frame:	56J	Mounting:	F1	Poles:	02	Created Date:	
Base:	RG	Rotation:	FOS	Insulation:	B	Eff. Date:	01-19-2015
Leads:	5#18,1#16 #1TH					Replaced By:	
Literature:		Elec. Diagram:					

Nameplate NP1257L	
CAT.NO.	CJL1303A
SPEC.	34F492-2413G1
HP	.5
VOLTS	115/230
AMP	7.4/3.7
RPM	3450
FRAME	56J
SER.F.	1.60
NEMA-NOM-EFF	66
RATING	40C AMB-CONT
CC	
DE	6203
ENCL	OPEN
	SFA 9.4/4.7
	CODE L
	DES N
	CL B
	PF 67
	HZ 60
	PH 1
	USABLE AT 208V
	ODE 6203
	SN

Parts List		
Part Number	Description	Quantity
SA010331	SA 34F492-2413G1	1.000 EA
RA006719	RA 34F492-2413G1	1.000 EA
TPMRJ30RX	THERMAL 1PH 0.75 AUT 120C	1.000 EA
EC1189A02SP	61B2D120189NNBA ELEC CAP, 189-227MFD, 12	1.000 EA
51XW0832A07	8-32 X .44, TAPTITE II, HEX WSHR SLTD SE	3.000 EA
11XT0832G06	8-32 X 3/8 TY 23 TAPPING	1.000 EA
WD4100A01	DP-875 HEYCO PLUG OR 62MP0875 MICRO PLAS	1.000 EA
NS2500A01	INSULATOR, AUTO THER PROT	1.000 EA
34CB4800SP	CAPACITOR COVER, STAMPED PRIMED	1.000 EA
51XB1016A05	10-16X5/16HX WA SL SR TYB (F/S)	2.000 EA
HW5100A03SP	WAVY WASHER (W1543-017)	1.000 EA
34EP3401A01SP	PU ENDPLATE, MACH	1.000 EA
34AD2000	BAFFLE PLATE, STAMPED	1.000 EA
51XT0632A06	6-32X3/8 TY23 HXWS SLDSR	4.000 EA
51XN1032A20	10-32 X 1 1/4 HX WS SL SR	2.000 EA
34FH4500A02P	DRIPCOVER, MODEL 34	1.000 EA
51XW0832A07	8-32 X .44, TAPTITE II, HEX WSHR SLTD SE	2.000 EA
34CB4501SP	TERMINAL BOX LID, STAMPED X (PLATED)	1.000 EA
51XW0832A07	8-32 X .44, TAPTITE II, HEX WSHR SLTD SE	2.000 EA
RM1010A01	35-968-1 VINYL CLS	1.000 EA
WD1000A16	2-520128-2 AMP FLAG TERMINAL(4M/RL)	7.000 EA
34EP3202A02	FR ENDPLATE, MACH	1.000 EA
HA6001A03	THERMAL RETAINER (PLATED)	1.000 EA
NS2500A01	INSULATOR, AUTO THER PROT	1.000 EA

Parts List (continued)		
Part Number	Description	Quantity
51XT0632A06	6-32X3/8 TY23 HXWS SLDSR	2.000 EA
MG1000G27	MED CHARCOAL METALLIC GREY 400-0096	0.014 GA
10XF0440S02	04-40 X 1/8 TYPE F HEX HD STAINLESS STIC	2.000 EA
LB1009N	LABEL,ROTATION DIRECTION (ON ROLLS)	1.000 EA
SP5086A01	MODEL 34 TERMINAL PANEL SWITCH WITH LEAD	1.000 EA
HA3100A37	THRUBOLT 10-32 X 8.500	4.000 EA
MN416A01	TAG-INSTAL-MAINT no wire (1200/bx) 11/14	1.000 EA
LB1118	LABEL,WARNING (ROLL LABEL)	1.000 EA
LC0307	1PH, DV, FIX, W & W/O THERM, TERM PLATE,	1.000 EA
NP1257L	ALUM UL CSA CC THERMAL REV MTG	1.000 EA
35PA1000	PKG GRP, PRINT PK1008A06	1.000 EA

AC Induction Motor Performance Data
Record # 6647 - Typical performance - not guaranteed values

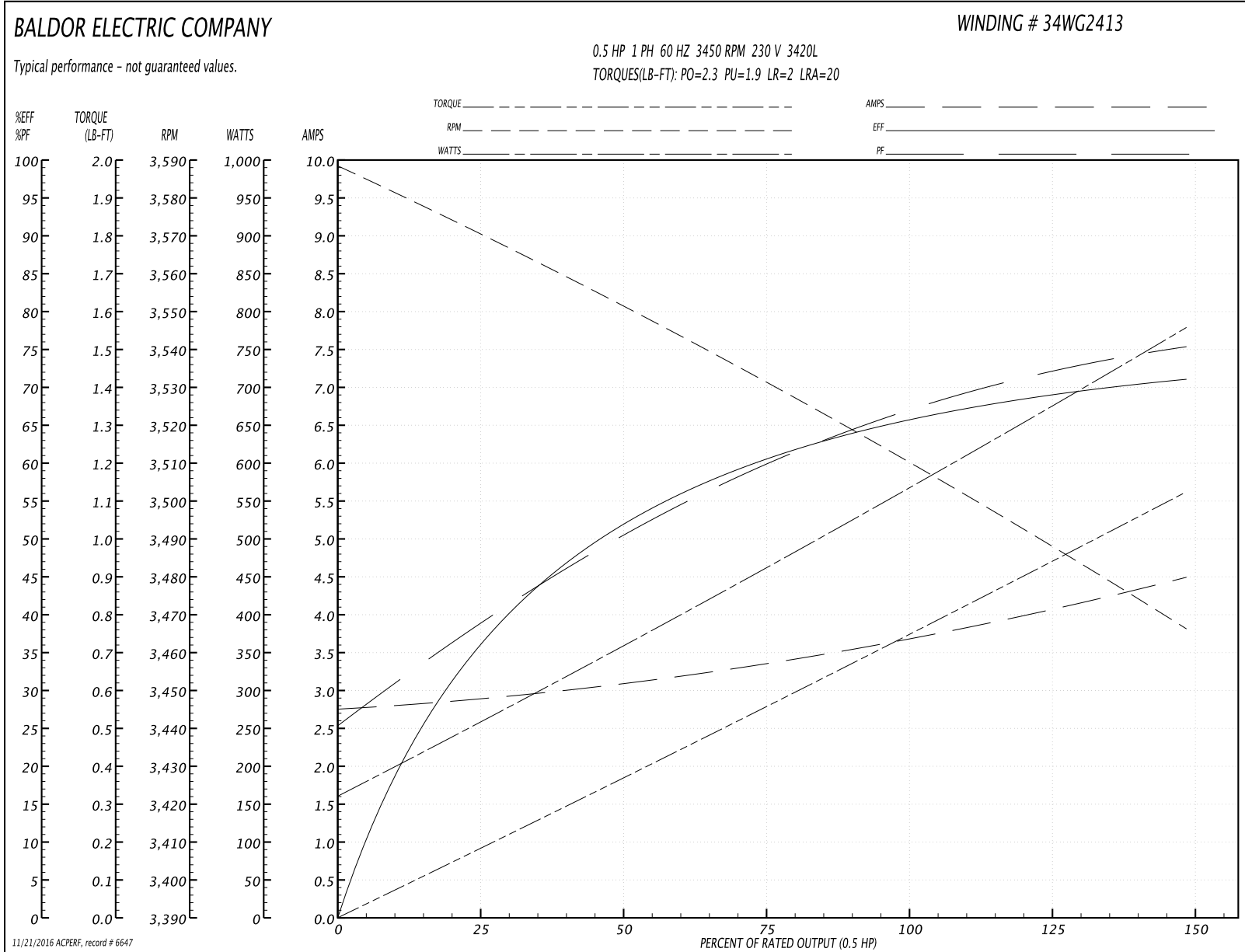
Winding: 34WG2413-R001	Type: 3420L	Enclosure: OPEN
-------------------------------	--------------------	------------------------

Nameplate Data				230 V, 60 Hz: High Voltage Connection	
Rated Output (HP)	.5			Full Load Torque	0.75 LB-FT
Volts	115/230			Start Configuration	direct on line
Full Load Amps	7.4/3.7			Breakdown Torque	2.3 LB-FT
R.P.M.	3450			Pull-up Torque	1.9 LB-FT
Hz	60	Phase	1	Locked-rotor Torque	2 LB-FT
NEMA Design Code	N	KVA Code	L	Starting Current	20 A
Service Factor (S.F.)	1.6			No-load Current	2.75 A
NEMA Nom. Eff.	66	Power Factor	67	Line-line Res. @ 25°C	3.55 Ω A Ph 2.56 Ω B Ph
Rating - Duty	40C AMB-CONT			Temp. Rise @ Rated Load	33°C
S.F. Amps	9.4/4.7			Temp. Rise @ S.F. Load	53°C

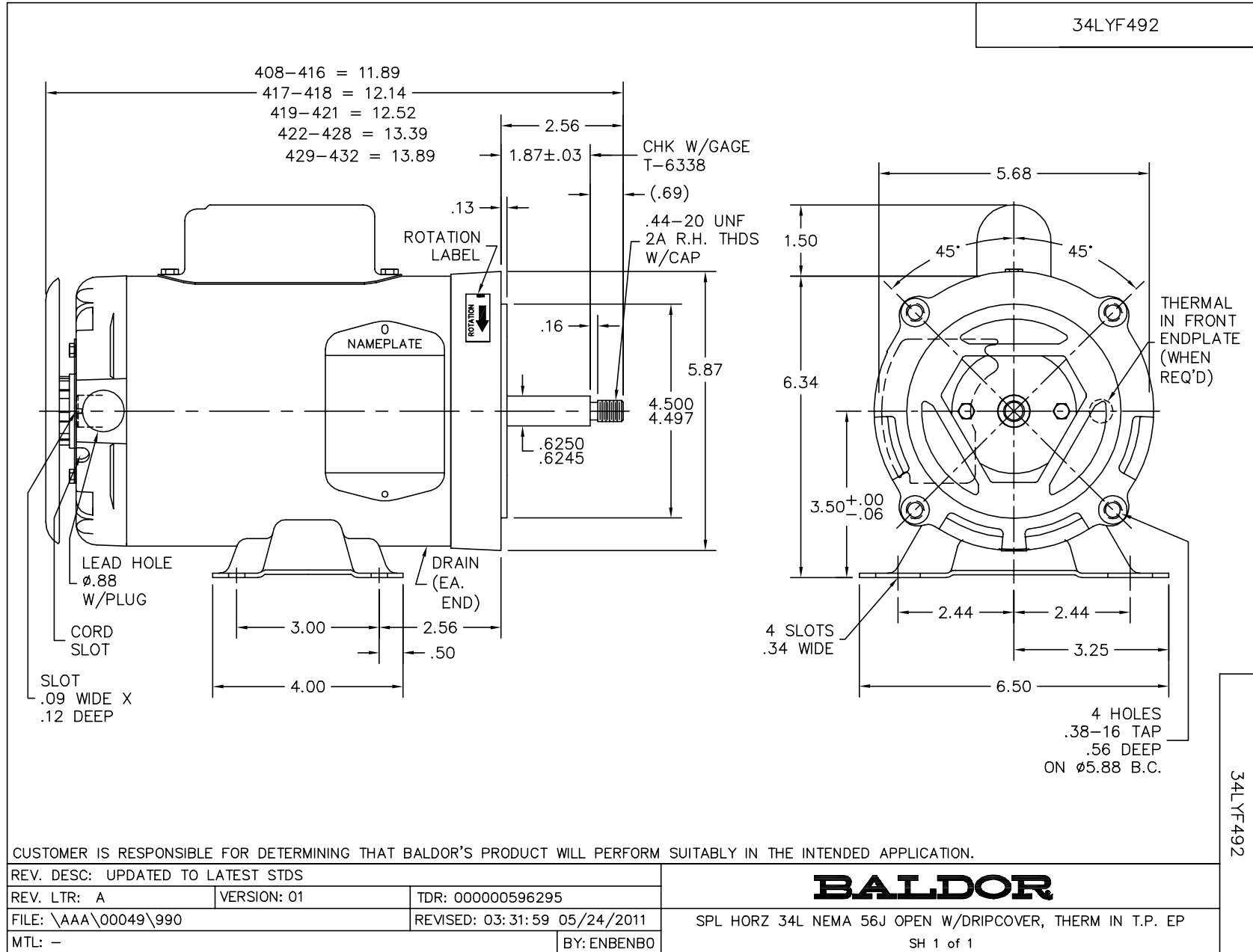
Load Characteristics 230 V, 60 Hz, 0.5 HP

% of Rated Load	25	50	75	100	125	150	S.F.
Power Factor	38	50	60	67	73	77	78
Efficiency	36	52	61	66	69	71	71
Speed	3570	3550	3530	3511	3490	3465	3460
Line amperes	2.9	3.1	3.35	3.7	4.05	4.5	4.7

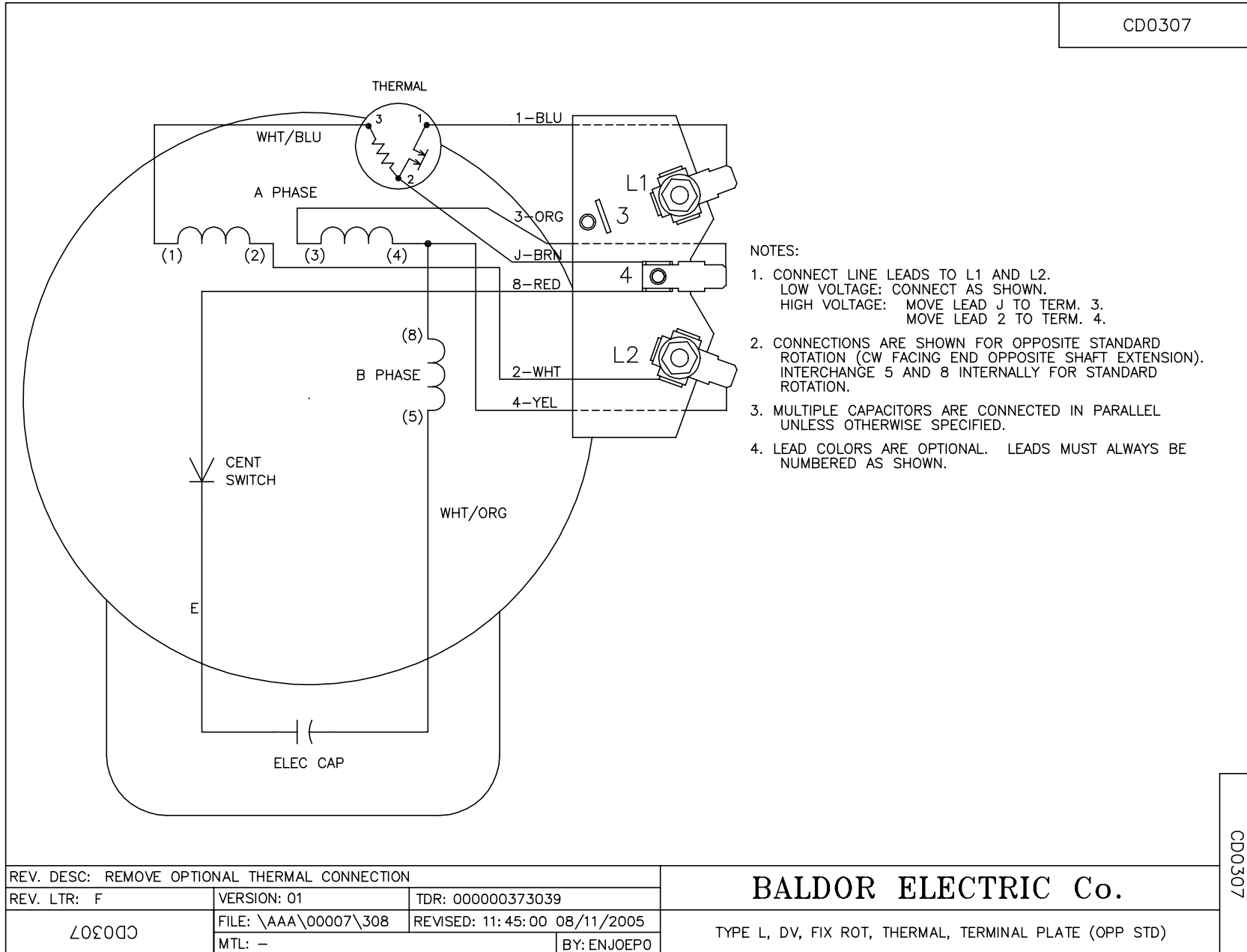
Performance Graph at 230V, 60Hz, 0.5HP Typical performance - Not guaranteed values



11/21/2016 ACPERF: record # 6647



CD0307



CD0307

REV. DESC: REMOVE OPTIONAL THERMAL CONNECTION		
REV. LTR: F	VERSION: 01	TDR: 000000373039
CD0307	FILE: \AAA\00007\308	REVISED: 11: 45: 00 08/11/2005
	MTL: -	BY: ENJOEPO

BALDOR ELECTRIC Co.

TYPE L, DV, FIX ROT, THERMAL, TERMINAL PLATE (OPP STD)