

# **BALDOR**® • **RELIANCE**

## **Product Information Packet**

# **ECP3584T**

**1.5HP, 1760RPM, 3PH, 60HZ, 145T, 0530M, TEFC, F**

Part Detail							
Revision:	T	Status:	PRD/A	Change #:		Proprietary:	No
Type:	AC	Prod. Type:	0530M	Elec. Spec:	05WGX008	CD Diagram:	CD0005
Enclosure:	TEFC	Mfg Plant:		Mech. Spec:	05F008	Layout:	05LYF008
Frame:	145T	Mounting:	F1	Poles:	04	Created Date:	03-06-2008
Base:	RG	Rotation:	R	Insulation:	F	Eff. Date:	06-16-2016
Leads:	9#18					Replaced By:	
Literature:		Elec. Diagram:					

Nameplate NP3258E			
CAT.NO.	ECP3584T		
SPEC.	05F008X008G1		
HP	1.5	TE	
VOLTS	208-230/460		
AMP	4.6-4.2/2.1		
RPM	1760		
FRAME	145T	HZ	60
SER.F.	1.15	CODE	L DES B
RATING	40C AMB-CONT		
SN			
DE	6205	ODE	6205
NEMA-NOM-EFF	88.5	PF	76
G.MIN.EFF	86.5	CC	010A
T. CODE	T4	T=	135
		PH	3
		CL	F

<b>Nameplate NP3261E</b>	
<b>SPEC.</b>	05F008X008G1
<b>D.E. BRG.</b>	25BC02XP30X
<b>O.D.E. BRG.</b>	25BC02XP30X
<b>GREASE</b>	POLYREX EM
<b>RPM MAX</b>	2700
	<b>MAX. KVAR</b> N/A
<b>BLANK</b>	
<b>INV. TYPE</b>	PWM
<b>T=</b>	135
<b>C HP FR</b>	60
<b>CT HZ FROM</b>	1.3
<b>VT HZ FROM</b>	0-
<b>HTR-VOLTS</b>	
<b>HTR-WATTS</b>	
<b>C HP TO</b>	90
<b>CT HZ TO</b>	60
<b>VT HZ TO</b>	60
<b>HTR-AMPS</b>	
	<b>MAX. SPACE HEATER TEMP.</b>

Parts List		
Part Number	Description	Quantity
SA169107	SA 05F008X008G1	1.000 EA
RA157391	RA 05F008X008G1	1.000 EA
34FN3002B01	EXTERNAL FAN, PLASTIC, .637/.639 HUB W/	1.000 EA
HW3201A05	3/8-16 EYEBOLT	1.000 EA
06CB1000A02G	CONDUIT BOX, MACH GRAY	1.000 EA
RM1016	LEAD SEPARATOR GASKET - 305/306 C.P.MOTO	1.000 EA
51XW2520A12	SCREW, HEX SER SLT HD, ZN, 1/4-20 X .75	2.000 EA
11XW1032G06	10-32 X .38, TAPTITE II, HEX WSHR SLTD U	1.000 EA
HW3001B01	BRASS CUP WASHER, FOR #8 SCREW	1.000 EA
10XN2520S06	1/4 20X3/8 HX HD CAP S.S.	2.000 EA
WD1000B16	T&B CX70TN TERMINAL	2.000 EA
35EP1102B03G	FREP TEFC 205 BRG,GRSR,RLF,.125 NPT DRAI	1.000 EA
HW4500A01	1641B(ALEMITE)400 UNIV, GREASE FITT	1.000 EA
HA4051A00	PLASTIC CAP FOR GREASE FITTING	1.000 EA
HW4500A17	317400 ALEMITE GREASE RELIEF	1.000 EA
HA4054	SHORT T-DRAIN FITTING, .125" N.P.T.	1.000 EA
HW5100A05	WVY WSHR F/205 & 304 BRGS	1.000 EA
35EP1102A67G	PUEP ENCL 205 BRG W/GRSR,REL F&.125 NPT D	1.000 EA
HW4500A01	1641B(ALEMITE)400 UNIV, GREASE FITT	1.000 EA
HA4051A00	PLASTIC CAP FOR GREASE FITTING	1.000 EA
HW4500A17	317400 ALEMITE GREASE RELIEF	1.000 EA
HA4054	SHORT T-DRAIN FITTING, .125" N.P.T.	1.000 EA
HA3100A37	THRUBOLT 10-32 X 8.500	4.000 EA
XY1032A02	10-32 HEX NUT DIRECTIONAL SERRATION	4.000 EA

<b>Parts List (continued)</b>		
<b>Part Number</b>	<b>Description</b>	<b>Quantity</b>
51XB1214A16	12-14X1.00 HXWSSLD SERTYB	1.000 EA
35FH1000A01G	35FH1000A01 W/GRAY FLUIDIZ	1.000 EA
WD4100A03	DE-750 HEYCO PLUG 62MP0750 MICRO PLASTIC	1.000 EA
10XN2520A18	1/4-20 X 1-1/8 HEX CAP SCREW.	3.000 EA
HW1001A25	LOCKWASHER 1/4, ZINC PLT .493 OD, .255 I	3.000 EA
06CB1502A01G	LIPPED CONDUIT BOX LID, MACH GRAY EPOXY	1.000 EA
06GS1003	GASKET, KOBX LID, 1/8" THICK BLACK NEOPR	1.000 EA
10XN2520A12	O1/4-20X 3/4 HEX HEAD CAP	2.000 EA
HW1001A25	LOCKWASHER 1/4, ZINC PLT .493 OD, .255 I	2.000 EA
HW4600B32SP	V-RING SLINGER 1.000 X 1.540 X .24 VITON	1.000 EA
HA1005A03SP	SLINGER, OD 1.750, ID .938, 205 BRG	1.000 EA
HW2501D13	KEY, 3/16 SQ X 1.375	1.000 EA
HA7000A01	KEY RETAINER 7/8" DIA SHAFT	1.000 EA
MJ5001A27	32220KN GRAY SEALER *MIN BUY 4 QTS=1GAL	0.001 QT
85XU0407S04	4X1/4 U DRIVE PIN STAINLESS	2.000 EA
LB1002N	LABEL,MARINE DUTY (ON ROLLS)	1.000 EA
LB1115N	LABEL,LIFTING DEVICE (ON ROLLS)	1.000 EA
MJ1000A02	GREASE, POLYREX EM EXXON (USe 4824-15A)	0.050 LB
MG1025N19	WILKOFAS, 778.50, RELIANCE BLUE-GREEN	0.022 GA
LC0005E01	CONN.DIA./WARNING LABEL (LC0005/LB1119N)	1.000 EA
LB1449	DIV-2/NEC WARNING LABEL	1.000 EA
NP3258E	SS CP SUPER-E DIV-2 UL CSA-C US EEV CC	1.000 EA
NP3261E	SS CP SUPER-E AUX DATA INFORMATION	1.000 EA
85XU0407S04	4X1/4 U DRIVE PIN STAINLESS	2.000 EA

Product Information Packet: ECP3584T - 1.5HP,1760RPM,3PH,60HZ,145T,0530M,TEFC,F

---

36PA1000	PKG GRP, PRINT PK1016A06	1.000 EA
MN416A01	TAG-INSTAL-MAINT no wire (1200/bx) 11/14	1.000 EA

<b>Accessories</b>		
<b>Part Number</b>	<b>Description</b>	<b>Multiplier</b>
35-1300	C FACE KIT	A8

**AC Induction Motor Performance Data**

Record # 47108 - Typical performance - not guaranteed values

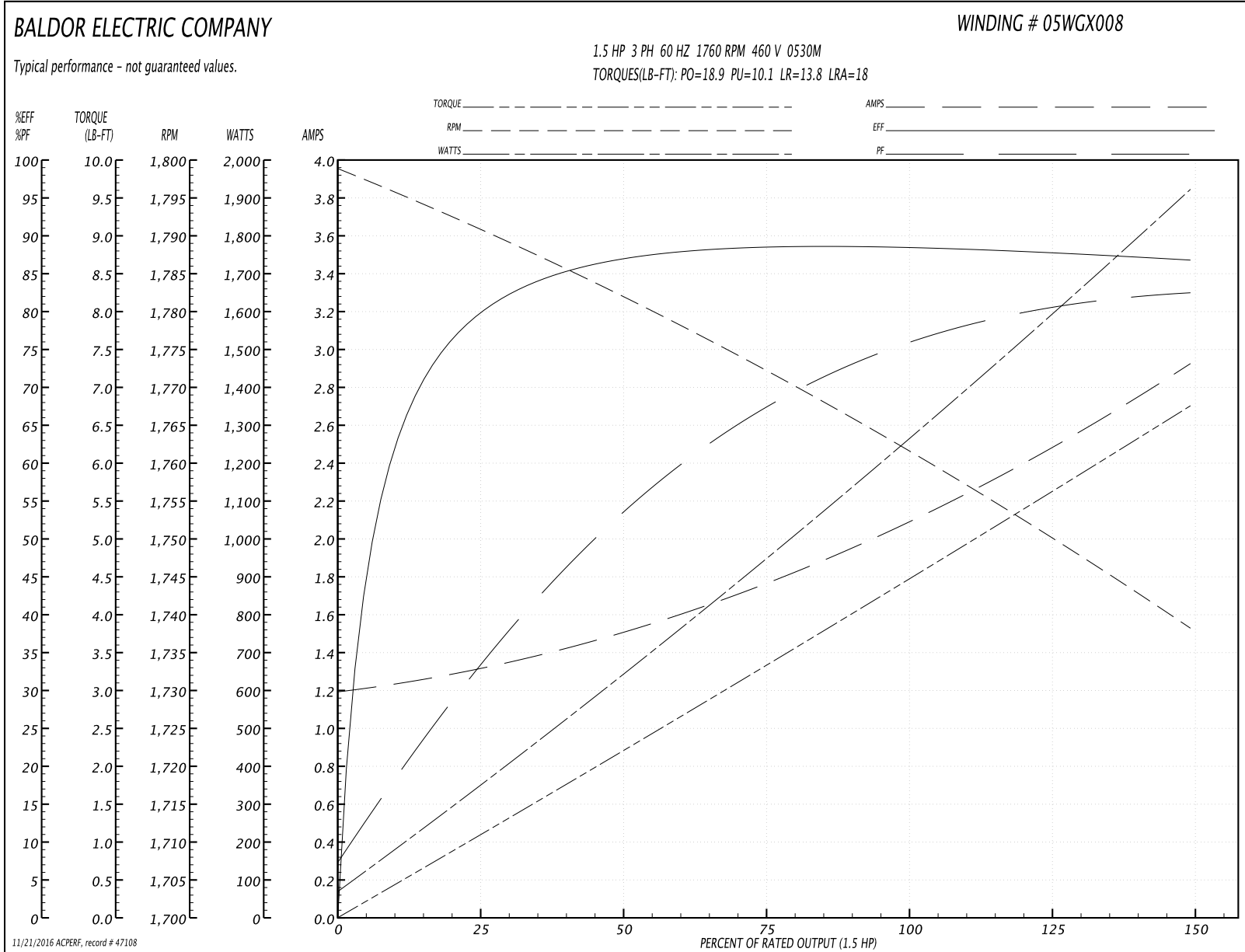
<b>Winding:</b> 05WGX008-R032	<b>Type:</b> 0530M	<b>Enclosure:</b> TEFC
-------------------------------	--------------------	------------------------

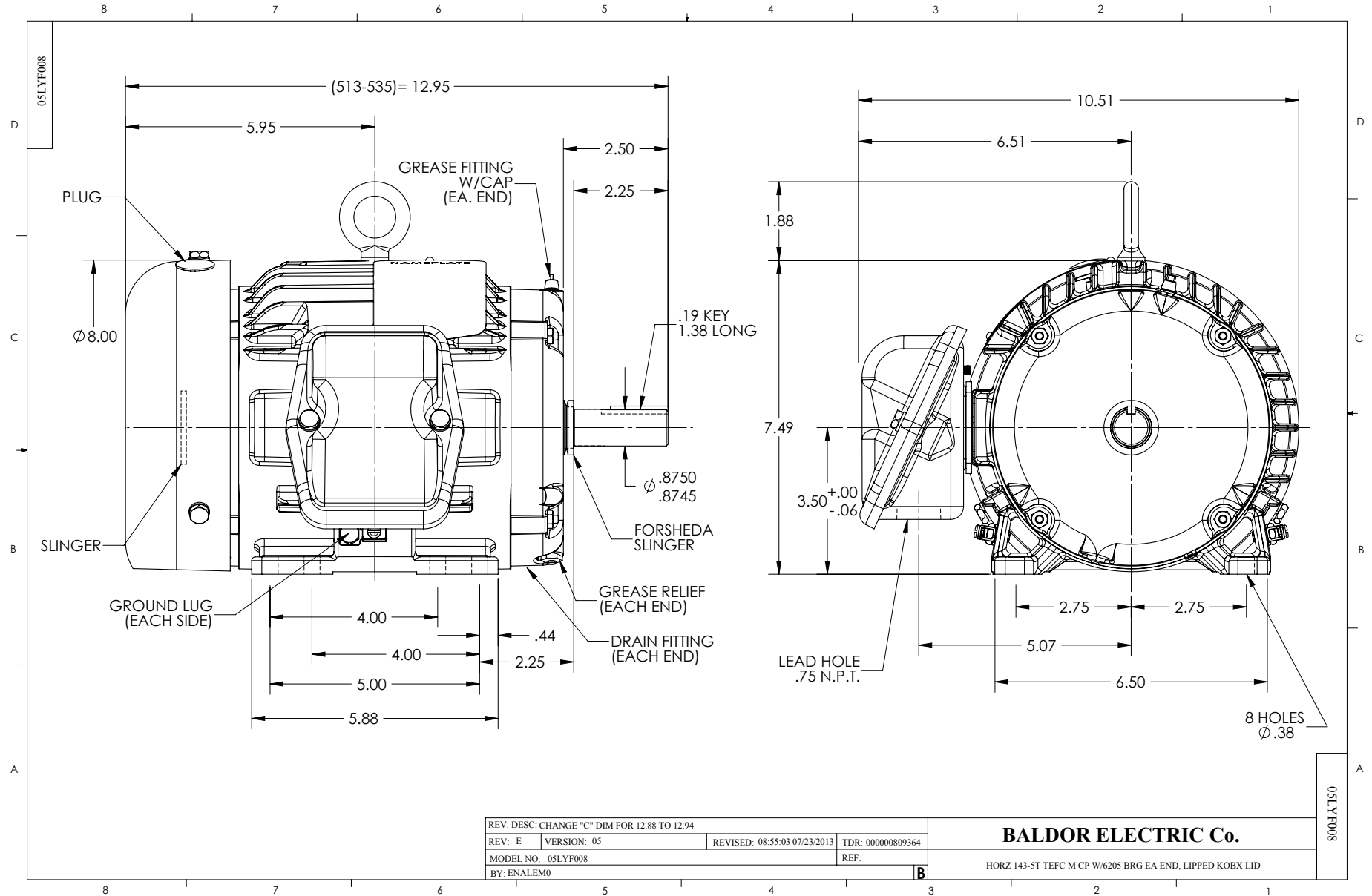
Nameplate Data				460 V, 60 Hz: High Voltage Connection	
Rated Output (HP)	1.5			Full Load Torque	4.49 LB-FT
Volts	208-230/460			Start Configuration	direct on line
Full Load Amps	4.6-4.2/2.1			Breakdown Torque	18.9 LB-FT
R.P.M.	1760			Pull-up Torque	10.1 LB-FT
Hz	60	Phase	3	Locked-rotor Torque	13.8 LB-FT
NEMA Design Code	B	KVA Code	L	Starting Current	18 A
Service Factor (S.F.)	1.15			No-load Current	1.21 A
NEMA Nom. Eff.	88.5	Power Factor	76	Line-line Res. @ 25°C	9.69 Ω
Rating - Duty	40C AMB-CONT			Temp. Rise @ Rated Load	30°C
S.F. Amps				Temp. Rise @ S.F. Load	37°C

Load Characteristics 460 V, 60 Hz, 1.5 HP

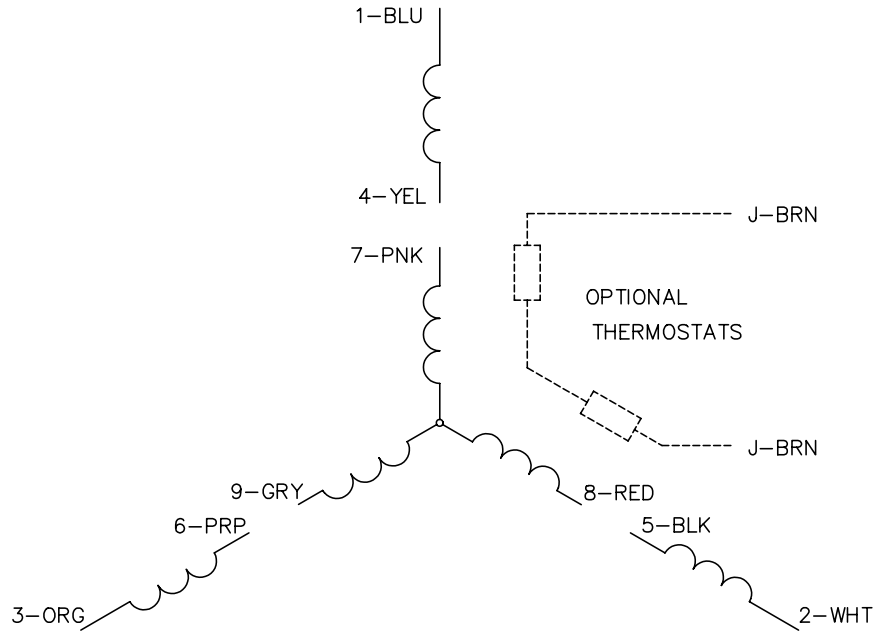
% of Rated Load	25	50	75	100	125	150	S.F.
Power Factor	33	54	67	75	80	83	78
Efficiency	78.6	86.5	88.3	89	87.9	86.7	88.3
Speed	1791	1782	1773	1761	1751	1738	1755
Line amperes	1.29	1.49	1.76	2.1	2.49	2.91	2.33

Performance Graph at 460V, 60Hz, 1.5HP Typical performance - Not guaranteed values

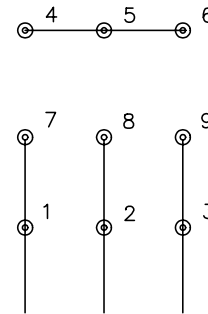




CD0005

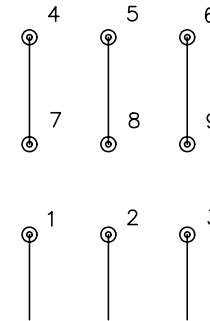


LOW VOLTAGE  
(2Y)



LINE

HIGH VOLTAGE  
(1Y)



LINE

NOTES:

1. INTERCHANGE ANY TWO LINE LEADS TO REVERSE ROTATION.
2. OPTIONAL THERMOSTATS ARE PROVIDED WHEN SPECIFIED.
3. ACTUAL NUMBER OF INTERNAL PARALLEL CIRCUITS MAY BE A MULTIPLE OF THOSE SHOWN ABOVE.
4. LEAD COLORS ARE OPTIONAL. LEADS MUST ALWAYS BE NUMBERED AS SHOWN.

REV. DESC: REVISE TO SHOW OPTIONAL COLORS			
REV. LTR: E	BY: JLP	REVISED: 01/19/99 10:15	TDR: 0171435
90000		FILE: AAA00005140	MDL: -
		MTL: -	

**BALDOR ELECTRIC Co.**

3PH, DV, 9 LEADS

CD0005