

BALDOR® • **RELIANCE**

Product Information Packet

ECP84111T-5

25HP, 1180RPM, 3PH, 60HZ, 324T, 1264M, TEFC, F1

Part Detail							
Revision:	T	Status:	PRD/A	Change #:		Proprietary:	No
Type:	AC	Prod. Type:	1264M	Elec. Spec:	12WGY446	CD Diagram:	CD0006
Enclosure:	TEFC	Mfg Plant:		Mech. Spec:	12E599	Layout:	12LYE599
Frame:	324T	Mounting:	F1	Poles:	06	Created Date:	06-08-2011
Base:	RG	Rotation:	R	Insulation:	F	Eff. Date:	01-13-2017
Leads:	3#8					Replaced By:	
Literature:		Elec. Diagram:					

Nameplate NP3190															
STK.NO.	ECP84111T-5		P/N			ENCLOSURE	TEFC								
SPEC.	12E599Y446		CC	010A	FRAME	324T		S/N							
HP	25		CLASS	F	HZ	60		ODE BRG	6312	DE BRG	6312				
RPM	1180	RPM MAX	1800		PH	3	DES	B		D.E. BRG.	60BC03X30X				
VOLT	575		KVA-CODE	G		O.D.E. BRG.	60BC03X30X		GREASE	POLYREX EM					
AMP	25.4		MOTOR WEIGHT	623		BLANK									
RATING	40C AMB-CONT		MAX. KVAR	8.5		IP	56		INV.TYPE	PWM					
NEMA-NOM-EFF	93	# OF ROTOR BARS	42		SER.F.	1.15									
G.MIN.EFF	91.7	# OF STATOR SLOTS	54		PF	80									
TEMP CODE	T3		INVERTER-TEMP-CODE	200											
TEMP =	200		C HP FR	60		C HP TO	90								
CT HZ FROM	1.0		CT HZ TO	60											
HTR-VOLTS			HTR-AMPS			HTR-WATTS			MAX. SPACE HEATER TEMP.			VT HZ FROM	O	VT HZ TO	60

Parts List		
Part Number	Description	Quantity
SA224876	SA 12E599Y446	1.000 EA
RA211977	RA 12E599Y446	1.000 EA
09FN3001B03SP	EXTERNAL FAN, PLASTIC	1.000 EA
WD1000B19	TERMINAL BURNDY L250HP	1.000 EA
10XN3816K08	3/8-16 X .50 HEX HD CAP SCREW GRADE 5	1.000 EA
10CB1000A04P	CONDUIT BOX, MACH W/EPOXY PRIMER	1.000 EA
09GS1010	GASKET, DWG, LEADWIRE SEPERATOR	1.000 EA
10XN3118K16	5/16-18 X 1' GRADE #5, STL, ZINC PLATE	4.000 EA
HW1001A31	LOCKWASHER 5/16, ZINC PLT.591 OD, .319 I	4.000 EA
WD1000B16	T&B CX70TN TERMINAL	1.000 EA
10XN2520K06	1/4-20 X 3/8" HX HD SCREWGRADE 5, ZINC P	1.000 EA
HW1001A25	LOCKWASHER 1/4, ZINC PLT .493 OD, .255 I	1.000 EA
HA3400A32	STUD, 1/2-13 X 7.38	4.000 EA
HW4500A20	1/8NPT SL PIPE PLUG	1.000 EA
HA4017A01	1/8 X 4 GREASE EXT (F/S)	1.000 EA
HA4017A11	1/8 X 2.75 GREASE EXT (F/S)	1.000 EA
HW4019A01	PIPE COUPLING 1/8 NPT,STEEL,ZINC COATING	1.000 EA
HA4002A01	DRAIN PLUG STAINLESS STL	1.000 EA
HW4601A55	INPRO/SEAL #1698-A-M0022-0 VBXX 312 BRG/	1.000 EA
HW5100A15	W4997-050 WVY WSHR (WB)	1.000 EA
10XN3118K40	5/16-18 X 2.50" HEX HD, GRADE 5	4.000 EA
12EP1111A01P	SPL PUEP 312 BRG FOR INPRO SEAL W/EPOXY	1.000 EA
HW4500A20	1/8NPT SL PIPE PLUG	1.000 EA
10XN5013K28	1/2-13 X 1.75 HEX HEAD MACH SCREW,GRAD	4.000 EA

Parts List (continued)		
Part Number	Description	Quantity
HW1001A50	LOCKWASHER 1/2, ZINC PLT.,.879 OD, .509 I	4.000 EA
HA4002A01	DRAIN PLUG STAINLESS STL	1.000 EA
HW4601A55	INPRO/SEAL #1698-A-M0022-0 VBXX 312 BRG/	1.000 EA
10XN3118K40	5/16-18 X 2.50" HEX HD, GRADE 5	4.000 EA
XY5013A12	NUT,1/2-13,HEX,STEEL,ZINCPLATED	4.000 EA
HW1001A50	LOCKWASHER 1/2, ZINC PLT.,.879 OD, .509 I	4.000 EA
HW1001A50	LOCKWASHER 1/2, ZINC PLT.,.879 OD, .509 I	4.000 EA
10CB1503A01P	CONDUIT BOX LIPPED LID, MACH W/EPXY PRMR	1.000 EA
14GS1003	GASKET CONDUIT BOX LID, NEOP	1.000 EA
10XN2520K16	1/4-20 X 1" HX HD SCRW GRADE 5, ZINC P	4.000 EA
HW1001A25	LOCKWASHER 1/4, ZINC PLT .493 OD, .255 I	4.000 EA
MJ5004A59	ADHESIVE LOCTITE #401 SURFACE INSENSITIV	0.010 EA
HW2501H33	KEY, 1/2 SQ X 3.875	1.000 EA
MJ5001A27	32220KN GRAY SEALER *MIN BUY 4 QTS=1GAL	0.031 QT
MJ5001A14	DYNAPRO SEAL, CP MOTORS VC#2508050 (603	0.029 EA
LB1115N	LABEL,LIFTING DEVICE (ON ROLLS)	1.000 EA
MN416A01	TAG-INSTAL-MAINT no wire (1000/bx) 11/14	1.000 EA
WD1000B48	T&B D73, RING TERMINAL 8 AWG 3/8 STUD	3.000 EA
12EP1111A02GP6	FR ENDPLATE, MACH W/EPOXY PRIMER & RELIA	1.000 EA
HW4500A21	1618BALEMITE FITTING 825 UNIVERSAL	1.000 EA
HA4051A00	PLASTIC CAP FOR GREASE FITTING	1.000 EA
HW4500A17	317400 ALEMITE GREASE RELIEF	1.000 EA
MJ1000A02	GREASE, POLYREX EM EXXON (USe 4824-15A)	0.200 LB
HW4500A03	GREASE FITTING, .125 NPT 1610(ALEMITE) 8	1.000 EA

Product Information Packet: ECP84111T-5 - 25HP,1180RPM,3PH,60HZ,324T,1264M,TEFC,F1

HA4051A00	PLASTIC CAP FOR GREASE FITTING	1.000 EA
HW4500A17	317400 ALEMITE GREASE RELIEF	1.000 EA
HW2500A25	WOODRUFF KEY USA #1008 #BLOW CARBON STEE	1.000 EA
51XB1214A20	12-14X1.25 HXWSSLD SERTYB	1.000 EA
12FH1002A15GP6	FAN COVER, MACH, W/PRIMER W/MG1025N19	1.000 EA
MG1025N19	WILKOFAS, 778.50, RELIANCE BLUE-GREEN	0.080 GA
85XU0407S04	4X1/4 U DRIVE PIN STAINLESS	4.000 EA
LB1449	DIV-2/NEC WARNING LABEL	1.000 EA
LB1119N	WARNING LABEL	1.000 EA
LC0006	CONNECTION LABEL	1.000 EA
NP3190	SS IEEE841 INV DIV-2 UL CSA-C US EEV	1.000 EA
12PA1000	PACKAGING GROUP PRINT PK1024A06	1.000 EA

AC Induction Motor Performance Data

Record # 55383 - Typical performance - not guaranteed values

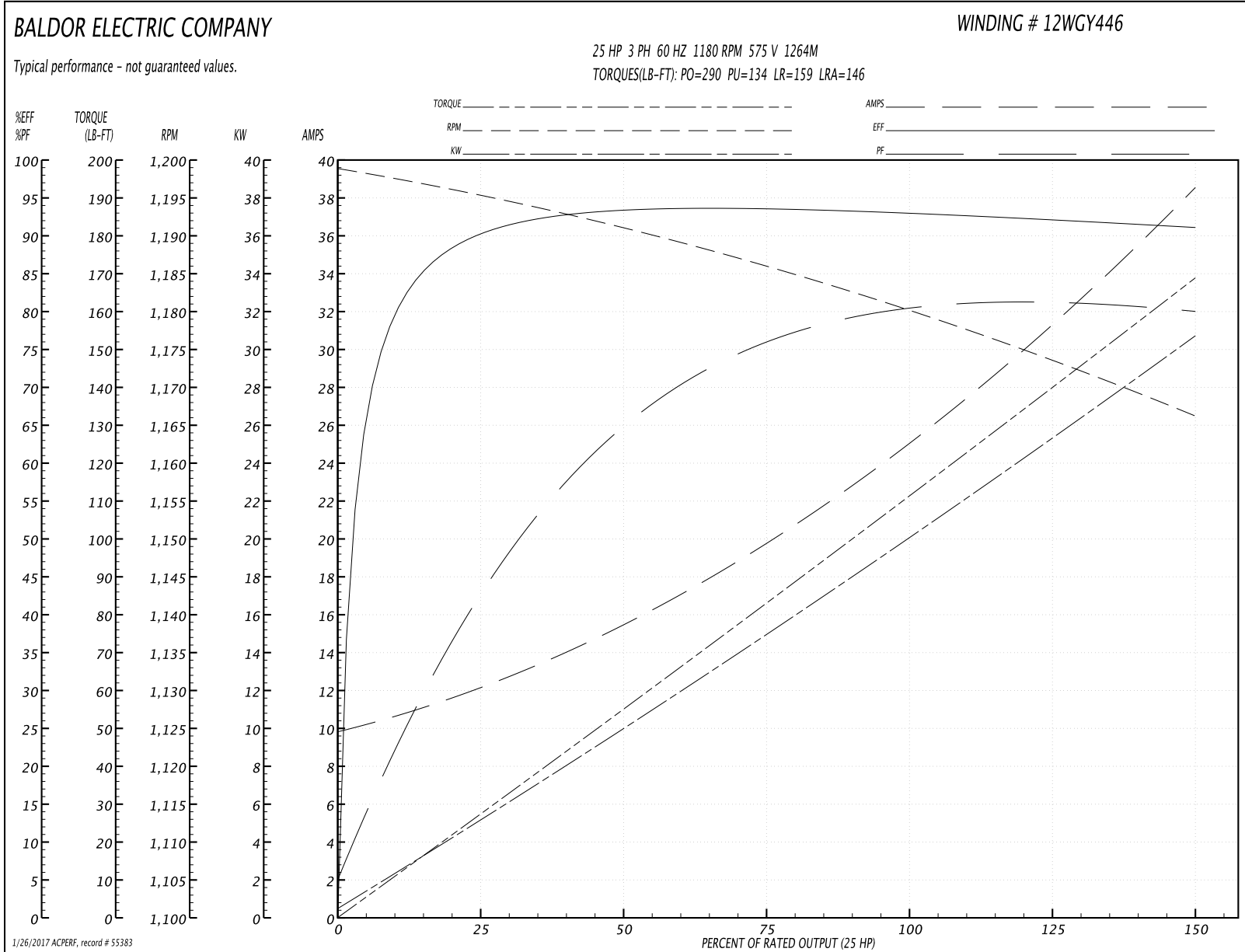
Winding: 12WGY446-R004	Type: 1264M	Enclosure: TEFC
-------------------------------	--------------------	------------------------

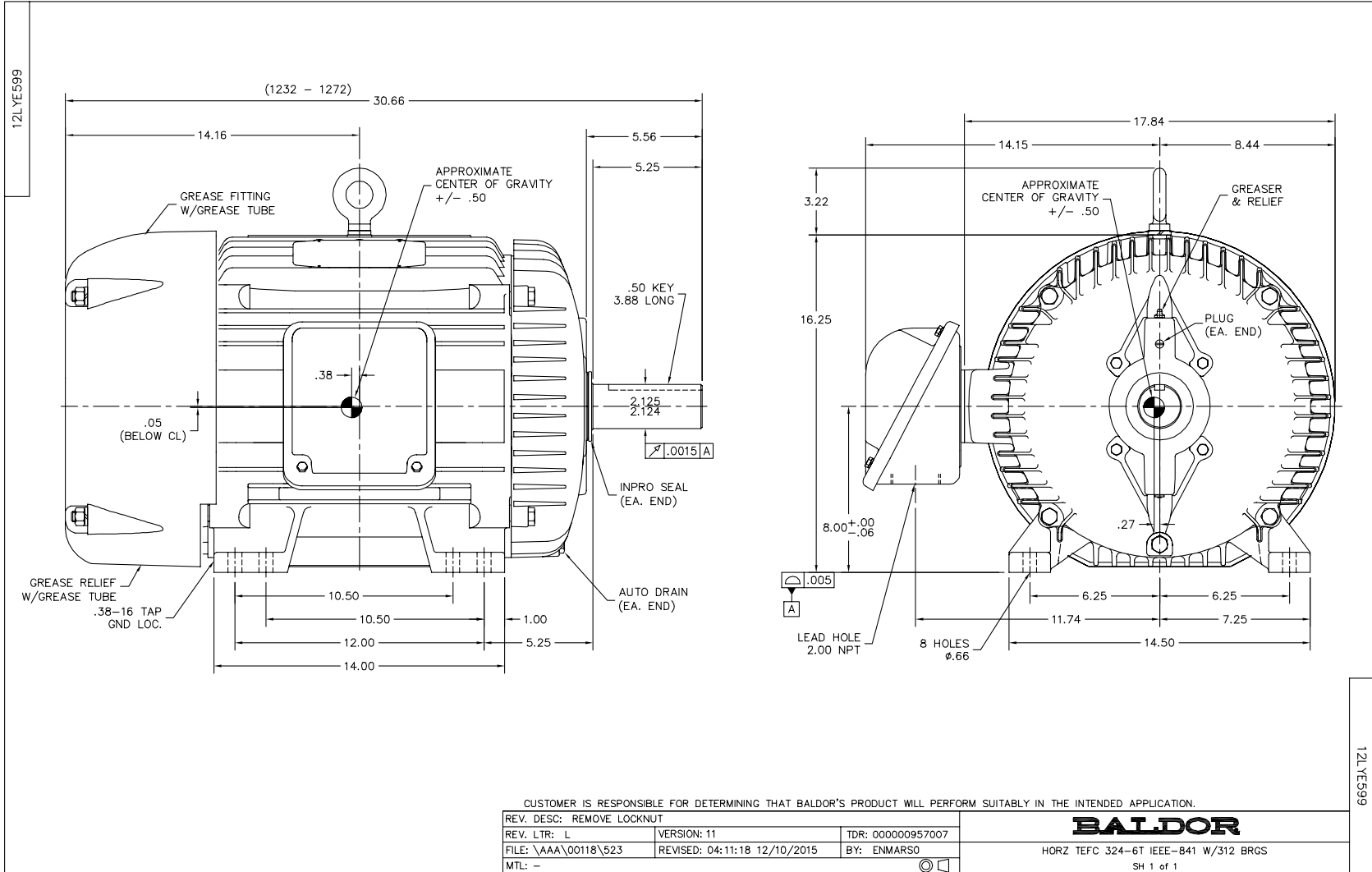
Nameplate Data				575 V, 60 Hz: Single Voltage Motor	
Rated Output (HP)	25			Full Load Torque	111 LB-FT
Volts	575			Start Configuration	direct on line
Full Load Amps	25.4			Breakdown Torque	290 LB-FT
R.P.M.	1180			Pull-up Torque	134 LB-FT
Hz	60	Phase	3	Locked-rotor Torque	159 LB-FT
NEMA Design Code	B	KVA Code	G	Starting Current	146 A
Service Factor (S.F.)	1.15			No-load Current	10.2 A
NEMA Nom. Eff.	93	Power Factor	80	Line-line Res. @ 25°C	0.462 Ω
Rating - Duty	40C AMB-CONT			Temp. Rise @ Rated Load	48°C
S.F. Amps				Temp. Rise @ S.F. Load	58°C
				Locked-rotor Power Factor	27.5
				Rotor inertia	12.2 LB-FT ²

Load Characteristics 575 V, 60 Hz, 25 HP

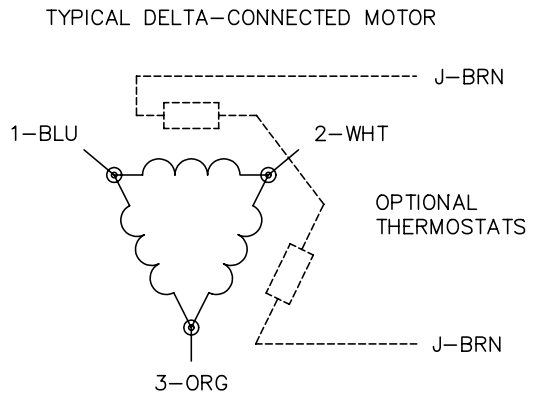
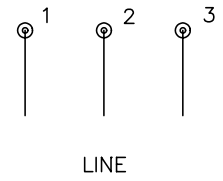
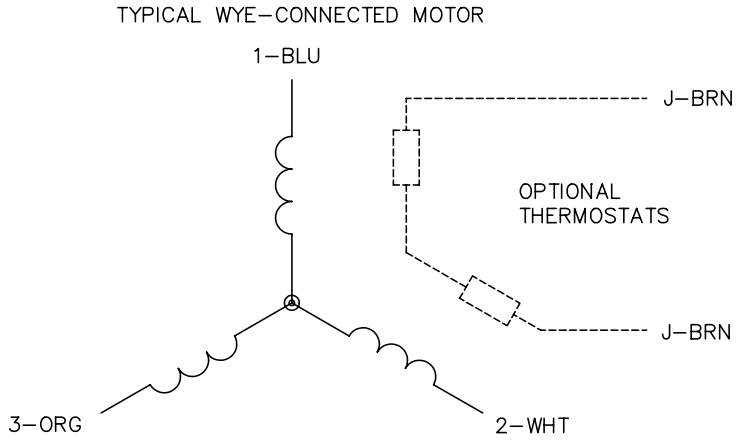
% of Rated Load	25	50	75	100	125	150	S.F.
Power Factor	46	66	76	79	81	80	81
Efficiency	90.2	93.2	93.7	93.2	92.5	91	92.6
Speed	1195	1191	1186	1180	1174	1166	1180
Line amperes	11.7	15.4	19.9	25.4	31.3	38.4	28.9

Performance Graph at 575V, 60Hz, 25.0HP Typical performance - Not guaranteed values





CD0006



- NOTES:
1. THREE LEAD MOTOR MAY BE EITHER WYE CONNECTED OR DELTA CONNECTED.
 2. INTERCHANGE ANY TWO LINE LEADS TO REVERSE ROTATION.
 3. OPTIONAL THERMOSTATS ARE PROVIDED WHEN SPECIFIED.
 4. ACTUAL NUMBER OF INTERNAL PARALLEL CIRCUITS MAY VARY.
 5. LEAD COLORS ARE OPTIONAL. LEADS MUST BE NUMBERED AS SHOWN.

REV. DESC: REVISE TO SHOW OPTIONAL COLORS			
REV. LTR: D	BY: JLP	REVISED: 01/21/99 4:02	TDR: 0171435
9000D		FILE: AAA00005141	MDL: -
		MTL: -	

BALDOR ELECTRIC Co.

3PH, SV, 3 LEADS, WYE OR DELTA CONNECTED

CD0006

Marketing maintained PDF of MN416:

<http://www.baldor.com/support/Literature/Load.ashx/MN416?ManNumber=MN416>