

# **BALDOR**® • ***RELIANCE***

## **Product Information Packet**

# **EHM2515T-8**

**20HP, 1765RPM, 3PH, 60HZ, 256T, 3948M, OPSB, F1**

Part Detail							
Revision:	-	Status:	PRD/A	Change #:		Proprietary:	No
Type:	AC	Prod. Type:	3948M	Elec. Spec:	39WGX981	CD Diagram:	CD0695
Enclosure:	OPSB	Mfg Plant:		Mech. Spec:	39R006	Layout:	39LYR006
Frame:	256T	Mounting:	F1	Poles:	04	Created Date:	06-20-2016
Base:	RG	Rotation:	R	Insulation:	F	Eff. Date:	06-25-2016
Leads:	6#8					Replaced By:	
Literature:		Elec. Diagram:					

<b>Nameplate NP2094E06B03</b>										
CAT.NO.	EHM2515T-8									
SPEC.	39R006X981G1									
HP	20									
VOLTS	200									
AMPS	55									
RPM	1765									
FRAME	256T			HZ 60			PH 3			
SER.F.	1.15		CODE	G		DES	A		CL	F
NEMA-NOM-EFF	93		PF	85						
RATING	40C AMB-CONT									
CC	010A			USABLE AT 208V						
DE	6309			ODE	6208					
AUTO				MANUAL				NONE		
ENCL	OPSB			SN						
BLANK										

Parts List		
Part Number	Description	Quantity
SA322711	SA 39R006X981G1	1.000 EA
RA310510	RA 39R006X981G1	1.000 EA
S/P107-000-006	SUPER-E(284 FR. & UP)-ZK PLANT,POLYREX E	1.000 EA
HA6361A01	LIFTING LUG FOR 37, 39 & 40 FRAME ZINC	2.000 EA
39CB4000A01	CONDUIT BOX 39, STAMPED	1.000 EA
19XW2520A08	SCREW,1/4-20X1/2 TAPTITE-II OR ROLOC 91	2.000 EA
HW1001A25	LOCKWASHER 1/4, ZINC PLT .493 OD, .255 I	2.000 EA
WD1000B16	T&B CX70TN TERMINAL	1.000 EA
39EP3200A01SP	FR/PU ENDPLATE, MACH	1.000 EA
HW4500A20	1/8NPT SL PIPE PLUG	2.000 EA
HW5100A08	W3118-035 WVY WSHR (WB)	1.000 EA
39EP3201A23	PU ENDPLATE, MACH W/AEGIS SH RING MTG	1.000 EA
HW4500A20	1/8NPT SL PIPE PLUG	2.000 EA
84XN0540J08	5-40 X 1/2" SHCS, BLACK OXIDE	2.000 EA
XY3816A12	3/8-16 FINISHED NUT	8.000 EA
39CB4500A01	CONDUIT BOX LID 39, STAMPED, W/ PRIMER	1.000 EA
51XF1032A08	10/32X1/2 HXWSHR HD, SL, TYPE F ,SERATED	2.000 EA
HW2501G25	KEY, 3/8 SQ X 2.875	1.000 EA
39AD2002A01	BAFFLE PLATE 39 OPEN, SLOTTED BAND MTRS	1.000 EA
MJ1000A02	GREASE, POLYREX EM EXXON (USe 4824-15A)	0.030 LB
39AD2002A01	BAFFLE PLATE 39 OPEN, SLOTTED BAND MTRS	1.000 EA
HA3154A03	STUD, 3/8-16 X 17.75	4.000 EA
MG1000G27	MED CHARCOAL METALLIC GREY 400-0096	0.050 GA
LC0695	CONNECTION LABEL	1.000 EA

<b>Parts List (continued)</b>		
<b>Part Number</b>	<b>Description</b>	<b>Quantity</b>
NP2094E06B03	NP LABEL W/BARCODE (PREM EFF HVAC MTR)	1.000 EA
39PA1000	PACKAGING GROUP 39 PRINT	1.000 EA

**AC Induction Motor Performance Data**

Record # 57709 - Typical performance - not guaranteed values

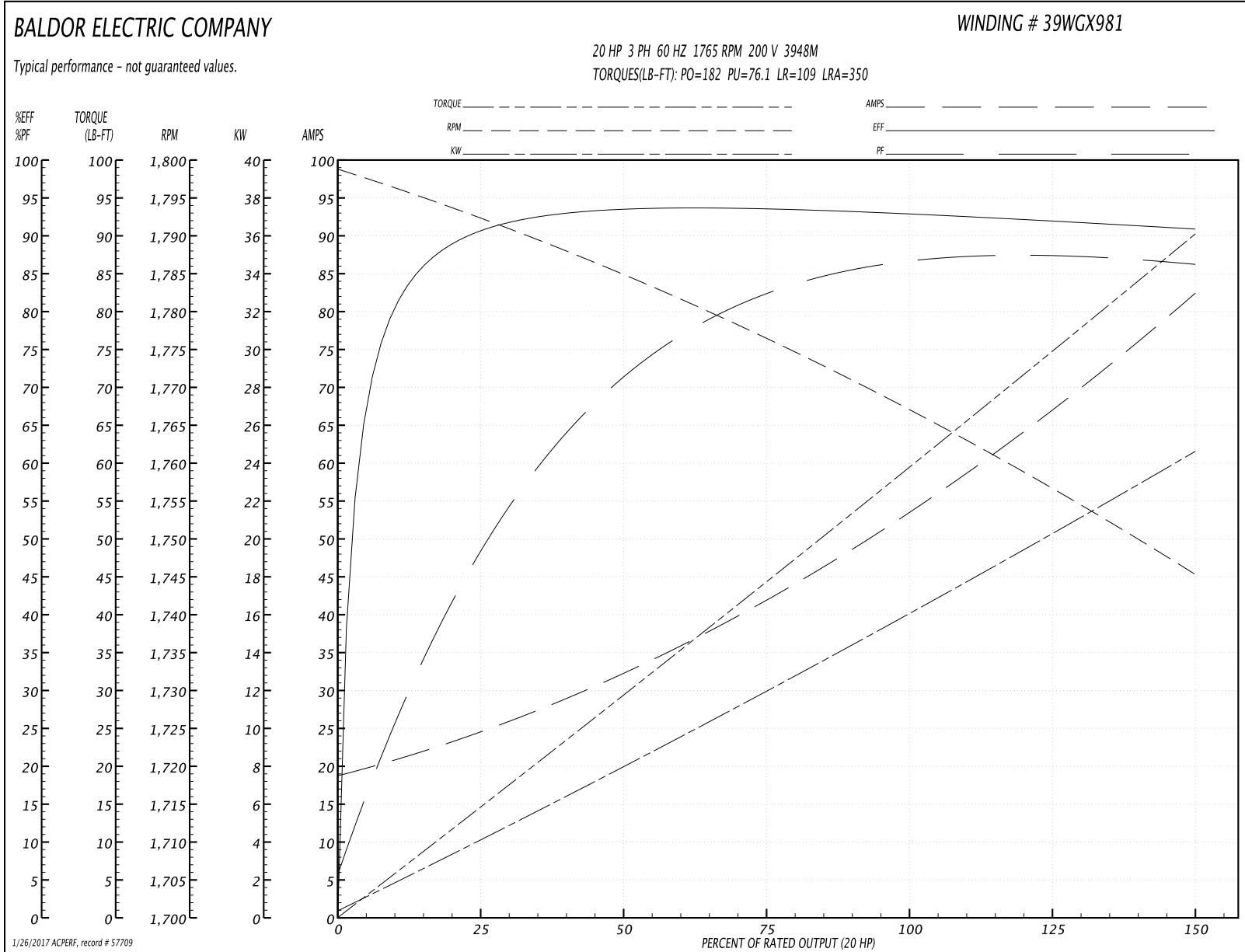
<b>Winding:</b> 39WGX981-R001	<b>Type:</b> 3948M	<b>Enclosure:</b> OPSB
-------------------------------	--------------------	------------------------

Nameplate Data				200 V, 60 Hz: Single Voltage Motor	
Rated Output (HP)	20			Full Load Torque	59.8 LB-FT
Volts	200			Start Configuration	direct on line
Full Load Amps	55			Breakdown Torque	182 LB-FT
R.P.M.	1765			Pull-up Torque	76.1 LB-FT
Hz	60	Phase	3	Locked-rotor Torque	109 LB-FT
NEMA Design Code	A	KVA Code	G	Starting Current	350 A
Service Factor (S.F.)	1.15			No-load Current	19.6 A
NEMA Nom. Eff.	93	Power Factor	85	Line-line Res. @ 25°C	0.0886 Ω
Rating - Duty	40C AMB-CONT			Temp. Rise @ Rated Load	37°C
S.F. Amps				Temp. Rise @ S.F. Load	46°C
				Locked-rotor Power Factor	33.3
				Rotor inertia	2.1 LB-FT <sup>2</sup>

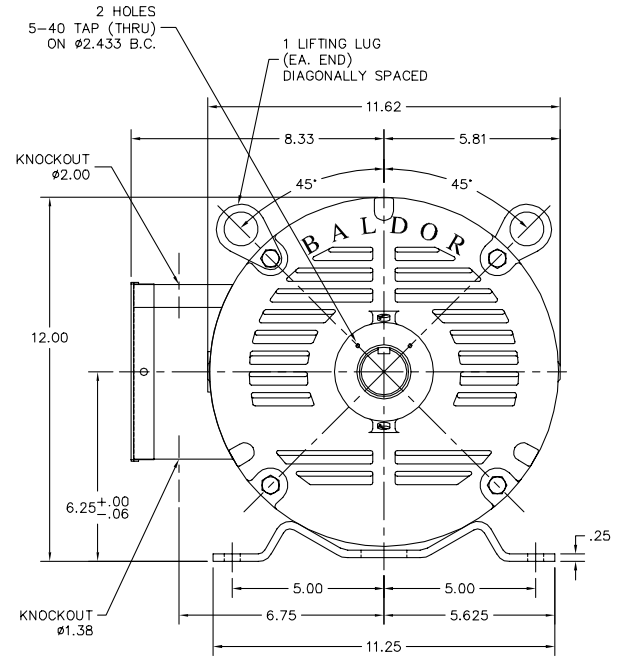
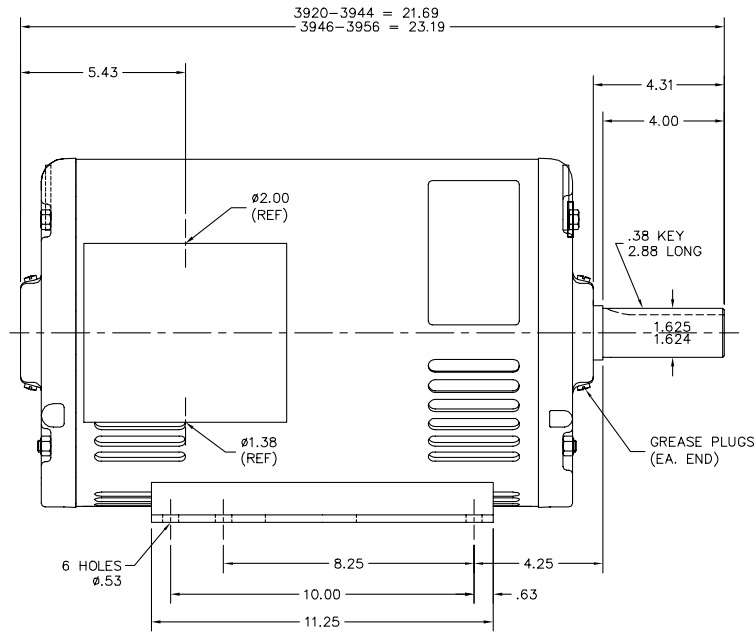
Load Characteristics 200 V, 60 Hz, 20 HP

% of Rated Load	25	50	75	100	125	150	S.F.
Power Factor	51	73	82	85	87	87	86
Efficiency	90.5	93.3	93.5	93.1	92.1	90.8	92.5
Speed	1792	1785	1776	1767	1757	1745	1761
Line amperes	23.5	31.7	42.4	54.5	67.5	81.9	62.3

Performance Graph at 200V, 60Hz, 20.0HP Typical performance - Not guaranteed values



39LYR006



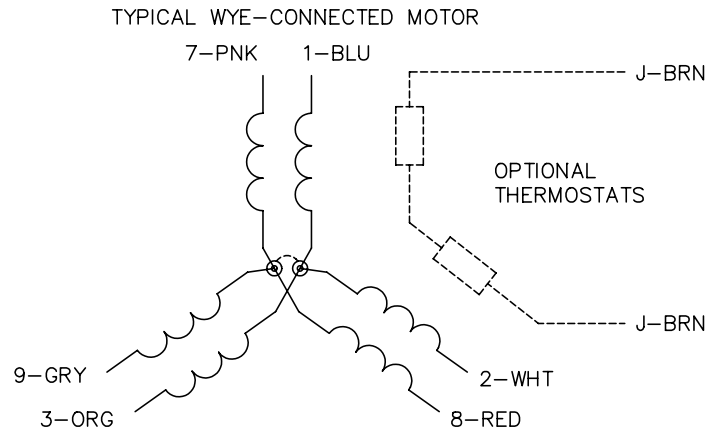
39LYR006

CUSTOMER IS RESPONSIBLE FOR DETERMINING THAT BALDOR'S PRODUCT WILL PERFORM SUITABLY IN THE INTENDED APPLICATION.

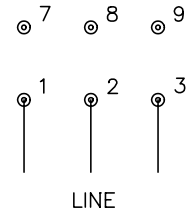
REV. DESC: ADD (2) 5-40 TAPPED HOLES TO PUEP	VERSION: 03	TDR: 000000722660
REV. LTR: C	REvised: 09:32:22 11/30/2011	BY: ENJOED0
FILE: \AAA\00081\398		
MTL: -		

**BALDOR**  
HORZ OPSB 254-61 W/ GREASE PLUGS (HVAC MOTOR) PREMIUM EFF.  
SH 1 of 1

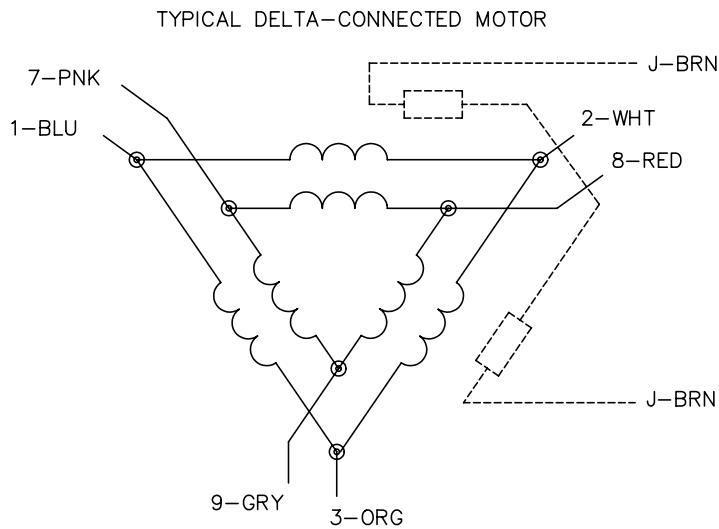
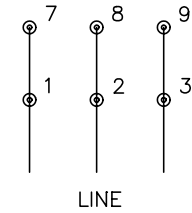
CD0695



START CONNECTION



RUN CONNECTION



NOTES:

1. MOTOR MAY BE WYE CONNECTED OR DELTA CONNECTED.
2. INTERCHANGE ANY TWO LINE LEADS TO REVERSE ROTATION.
3. OPTIONAL THERMOSTATS ARE PROVIDED WHEN SPECIFIED.
4. ACTUAL NUMBER OF INTERNAL PARALLEL CIRCUITS MAY VARY.
5. LEAD COLORS ARE OPTIONAL. LEADS MUST ALWAYS BE NUMBERED AS SHOWN.

REV. DESC: REVISE TO SHOW OPTIONAL COLORS			
REV. LTR: C	BY: JLP	REVISED: 01/21/99 3:19	TDR: 0171435
9690D0		FILE: AAA00005151	MDL: -
		MTL: -	

**BALDOR ELECTRIC Co.**

3PH, SV, 6 LEADS, PART WINDING START

CD0695

Marketing maintained PDF of MN416:

<http://www.baldor.com/support/Literature/Load.ashx/MN416?ManNumber=MN416>