

BALDOR® • ***RELIANCE***

Product Information Packet

EL3501

.33HP, 1740RPM, 1PH, 60HZ, 56, 3418LC, TEFC, F1

Part Detail							
Revision:	AC	Status:	PRD/A	Change #:		Proprietary:	No
Type:	AC	Prod. Type:	3418LC	Elec. Spec:	34WGX028	CD Diagram:	CD0055
Enclosure:	TEFC	Mfg Plant:		Mech. Spec:	34G375	Layout:	34LYG375
Frame:	56	Mounting:	F1	Poles:	04	Created Date:	
Base:	RG	Rotation:	R	Insulation:	F	Eff. Date:	07-20-2015
Leads:	6#18					Replaced By:	
Literature:		Elec. Diagram:					

Nameplate NP2117L											
CAT.NO.	EL3501										
SPEC.	34G375X28G1										
HP	.33										
VOLTS	115/230										
AMP	3.2/1.6										
RPM	1740										
FRAME	56				HZ	60			PH	1	
SER.F.	1.35				CODE	J		DES	-	CL	F
NEMA-NOM-EFF	77				PF	88					
RATING	40C AMB-CONT										
CC								USABLE AT 208V			
DE	6203				ODE	6203					
ENCL	TEFC				SN						
	SFA 4.2/2.1										

Parts List		
Part Number	Description	Quantity
SA006944	SA 34G375X28G1	1.000 EA
RA003391	RA 34G375X28G1	1.000 EA
OC3016F12SP	CYL OIL CAP 16MFD/370V	1.000 EA
EC1145A02	ELEC CAP 115V 1.4 X 3.3 X	1.000 EA
NS2512A01	INSULATOR, CONDUIT BOX X	1.000 EA
34CB3002A	CB CAST W/.88 DIA HOLE	1.000 EA
34GS1029A01	GASKET, CONDUIT BOX	1.000 EA
51XB1016A07	10-16 X 7/16 HXWSSLD SERTYB	2.000 EA
11XW1032G06	10-32 X .38, TAPTITE II, HEX WSHR SLTD U	1.000 EA
51XW0832A07	8-32 X .44, TAPTITE II, HEX WSHR SLTD SE	3.000 EA
34EP3102A01SP	FR ENDPLATE, MACH	1.000 EA
34CB3801	CAPACITOR BOX, DIE CAST	1.000 EA
34GS3002	GASKET, CAPACITOR BOX	1.000 EA
51XB1214A08	12-14 X 1/2HX WS SL SR TYBX	2.000 EA
HW5100A03SP	WAVY WASHER (W1543-017)	1.000 EA
34EP3102A02SP	FR/PU ENDPLATE, MACH	1.000 EA
XY1032A02	10-32 HEX NUT DIRECTIONAL SERRATION	4.000 EA
34FN3002A01SP	EXTERNAL FAN, PLASTIC, .637/.639 HUB W/	1.000 EA
34FH4002A01SP	IEC FH NO GREASER PRIMED	1.000 EA
51XW1032A06	10-32 X .38, TAPTITE II, HEX WSHR SLTD S	3.000 EA
34CB4517	CB LID 4 MTG HOLES .22 DIA STAMPED, FOR	1.000 EA
34GS1031A01	GASKET, FLAT CONDUIT BOX LID (LEXIDE)	1.000 EA
51XW0832A07	8-32 X .44, TAPTITE II, HEX WSHR SLTD SE	4.000 EA
HW2501D13	KEY, 3/16 SQ X 1.375	1.000 EA

Parts List (continued)		
Part Number	Description	Quantity
HA7000A04	KEY RETAINER 0.625 DIA SHAFTS	1.000 EA
34GS5003A01	FOAM SLEEVE, ID = 2 1/16" X 4 3/8"	1.000 EA
10XF0440S02	04-40 X 1/8 TYPE F HEX HD STAINLESS STIC	2.000 EA
SP5051B17	MDL 34 TORQ STAT SW,TYPE LC, STD F1 & F2	1.000 EA
HA3100A44	THRUBOLT 10-32 X 8.000	4.000 EA
MG1000Y03	MUNSELL 2.53Y 6.70/ 4.60, GLOSS 20,	0.014 GA
MN416A01	TAG-INSTAL-MAINT no wire (1000/bx) 11/14	1.000 EA
LC0001A01	CONN LABEL / WARNING LABEL (LC0001 / LB1	1.000 EA
NP2117L	SS SUPER-E UL CSA CC	1.000 EA
35PA1000	PKG GRP, PRINT PK1008A06	1.000 EA

Accessories		
Part Number	Description	Multiplier
34-171	C FACE KIT	A8

AC Induction Motor Performance Data

Record # 20835 - Typical performance - not guaranteed values

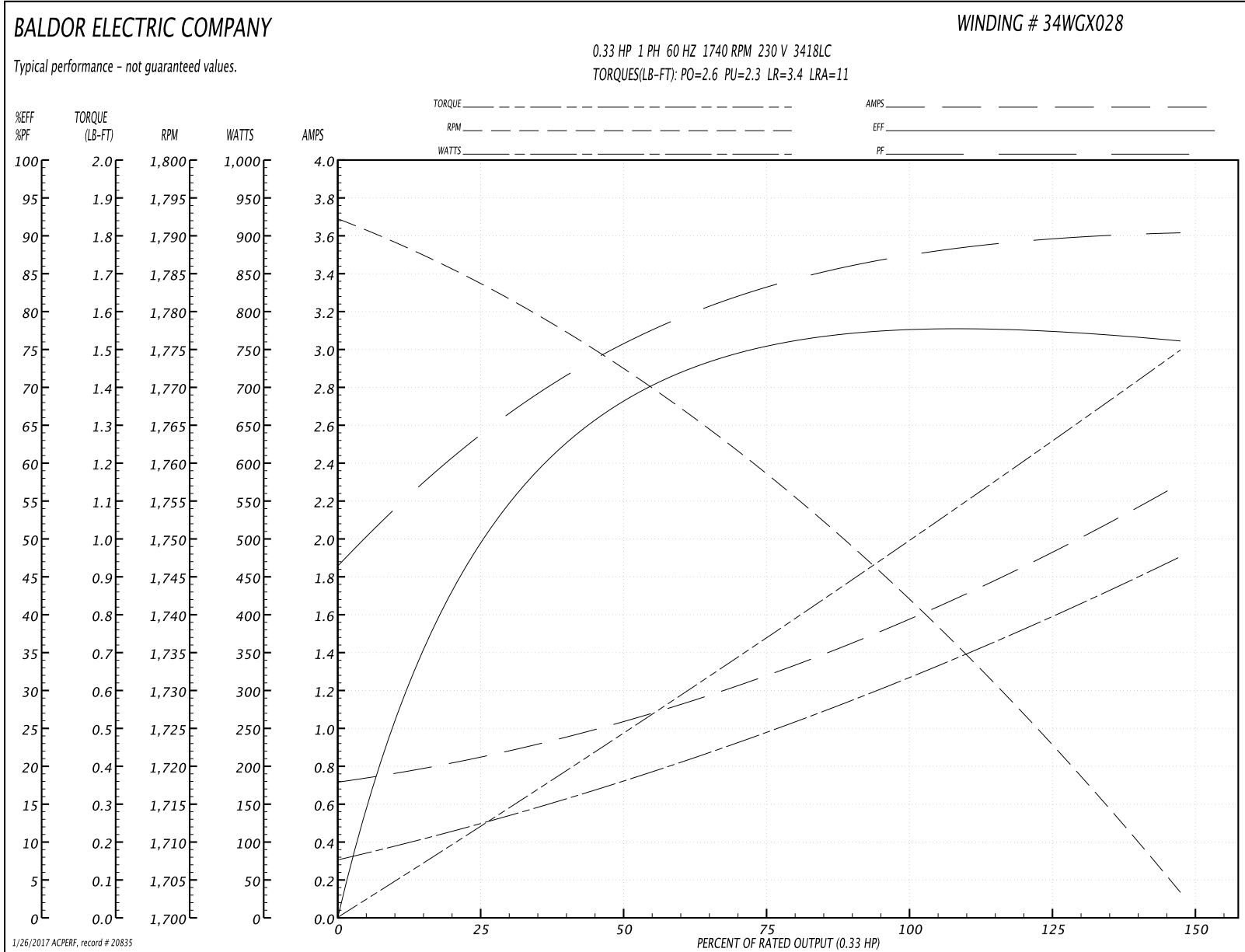
Winding: 34WX028-R002	Type: 3418LC	Enclosure: TEFC
------------------------------	---------------------	------------------------

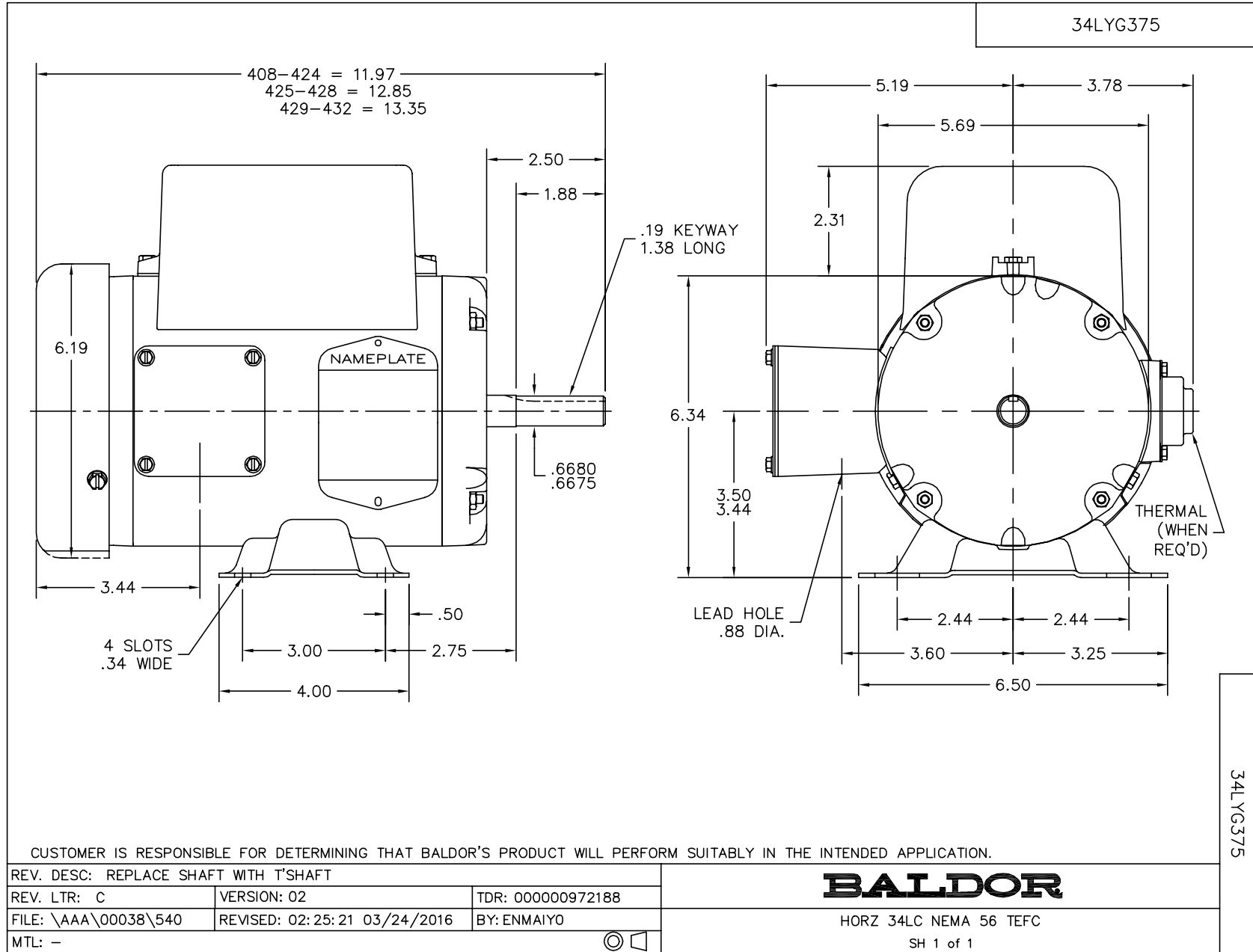
Nameplate Data				230 V, 60 Hz: High Voltage Connection	
Rated Output (HP)	.33			Full Load Torque	1 LB-FT
Volts	115/230			Start Configuration	direct on line
Full Load Amps	3.2/1.6			Breakdown Torque	2.6 LB-FT
R.P.M.	1740			Pull-up Torque	2.3 LB-FT
Hz	60	Phase	1	Locked-rotor Torque	3.4 LB-FT
NEMA Design Code	-	KVA Code	J	Starting Current	11 A
Service Factor (S.F.)	1.35			No-load Current	0.7 A
NEMA Nom. Eff.	77	Power Factor	88	Line-line Res. @ 25°C	7.34 Ω A Ph 5.89 Ω B Ph
Rating - Duty	40C AMB-CONT			Temp. Rise @ Rated Load	31°C
S.F. Amps	4.2/2.1			Temp. Rise @ S.F. Load	37°C

Load Characteristics 230 V, 60 Hz, 0.33 HP

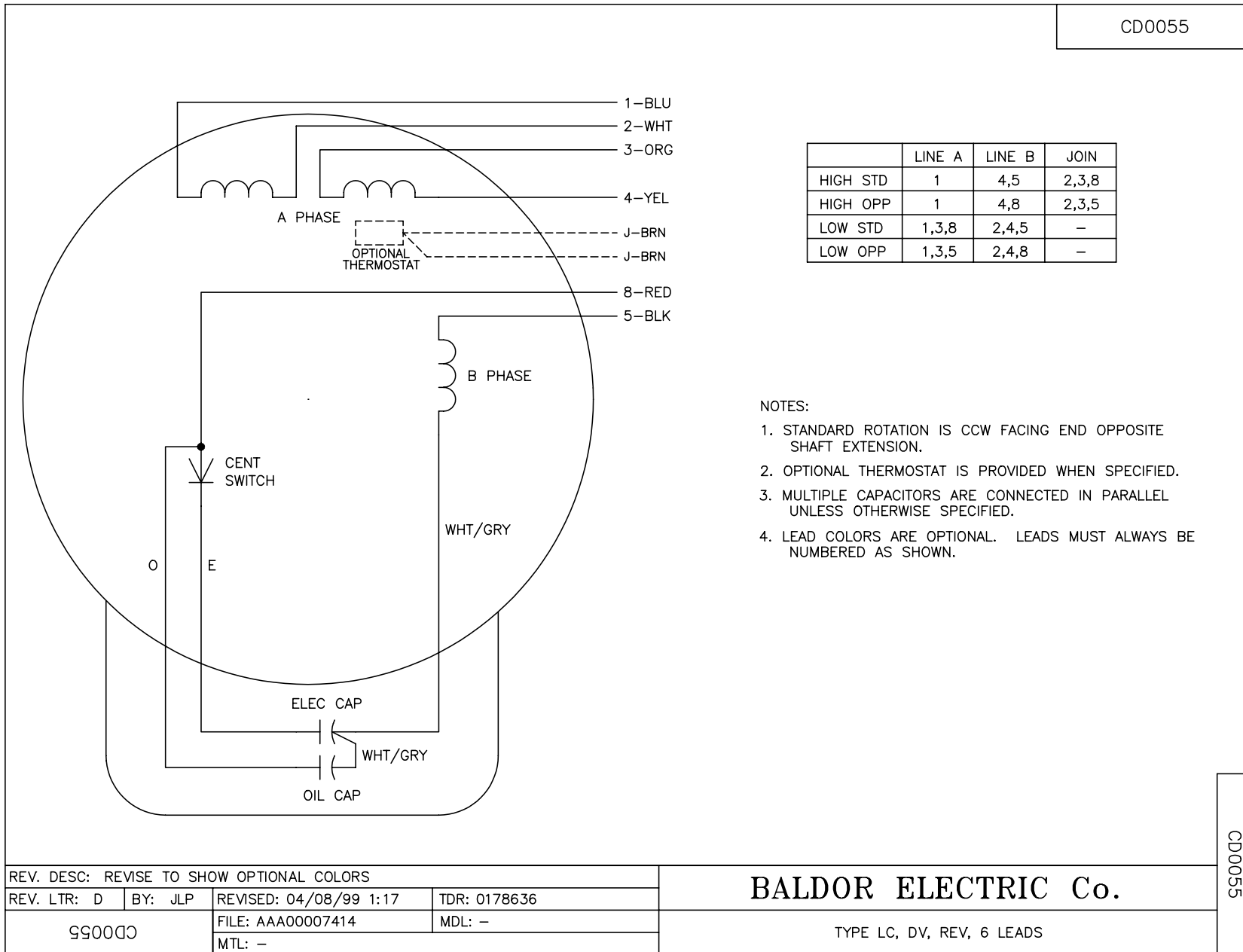
% of Rated Load	25	50	75	100	125	150	S.F.
Power Factor	60	80	83	87	90	90	91
Efficiency	50.6	68.6	75.5	77.3	77.7	76.1	77.9
Speed	1782	1772	1759	1741	1724	1703	1717
Line amperes	0.9	1	1.3	1.6	1.9	2.3	2.1

Performance Graph at 230V, 60Hz, 0.33HP Typical performance - Not guaranteed values





CD0055



REV. DESC: REVISE TO SHOW OPTIONAL COLORS			
REV. LTR: D	BY: JLP	REVISED: 04/08/99 1:17	TDR: 0178636
99000		FILE: AAA00007414	MDL: -
		MTL: -	

BALDOR ELECTRIC Co.

TYPE LC, DV, REV, 6 LEADS

CD0055