

BALDOR® • **RELIANCE**

Product Information Packet

EM251252T-4

250HP,3565RPM,3PH,60HZ,445TS,A44068M,DP

Part Detail							
Revision:	-	Status:	PRD/A	Change #:		Proprietary:	No
Type:	AC	Prod. Type:	A44068M	Elec. Spec:	A44WG1392	CD Diagram:	416820-008
Enclosure:	DP	Mfg Plant:		Mech. Spec:		Layout:	611750-001
Frame:	445TS	Mounting:	F1	Poles:	02	Created Date:	02-09-2015
Base:		Rotation:	R	Insulation:	F	Eff. Date:	02-16-2015
Leads:	6#1/0					Replaced By:	
Literature:		Elec. Diagram:					

Nameplate NP2496L	
MOBIL POLYREX EM	

Nameplate NP2349L										
SPEC NO.	A44-6819-1392			CAT.NO.	EM251252T-4			FRAME	444/5TS	
HP	250	VOLTS	460	PHASE	3	DESIGN	B	TYPE	P	
RPM	3565	AMPS	274	HZ	60	AMB	40	SF	1.15	
DRIVE END BEARING	65BC03J30X		DUTY	CONT	INSUL.CLASS		F			
OPP D.E. BEARING	65BC03J30X		ENCL	DP	CODE	F				
SER.NO.				POWER FACTOR	89	NEMA-NOM-EFFICIENCY	95.4			
						MAX CORR KVAR	30	GUARANTEED EFFICIENCY	94.5	
						NEMA NOM/CSA QUOTED EFF				
						MOTOR WEIGHT	1539			

Parts List		
Part Number	Description	Quantity
SA293720	SA A44-6819-1392	1.000 EA
RA279812	RA A44-6819-1392	1.000 EA
421948044	LABEL, MYLAR	1.000 EA
NP2496L	MOTOR LUBE NAMEPLATE	1.000 EA
000613006PU	N/P (RELEASE QTY 10,000) UL CSA LABEL	1.000 EA
000692000VD	LABEL WARNING	1.000 EA
NP2349L	SUPER-E ,SS, CSA, CSA SUPER-E	1.000 EA
702611001A	BAFFL 440 SUB PAINT	1.000 EA
089438082A	BRKT 440 089438081WCB	1.000 EA
004824015A	GREASE POLYREX EM	0.540 LB
032018028EK	HHCS 5/8-11X3-1/2L PLTD	4.000 EA
032018028CK	HHCS 3/8-16X3-1/2 PLTD.	3.000 EA
410700004F	WSHR	1.000 EA
035000001G	GREASE RELIEF FITTING, ALEMITE 317400	1.000 EA
034017012AB	LCKW 1/4 STD. PLATED	4.000 EA
405851012AB	SPACE	4.000 EA
032018006AK	HHCS 1/4-20X3/4L PLATED	4.000 EA
034000012AB	WSHR 1/4 STD. PLATED	4.000 EA
034600001AA	BUSH 1/4TO1/8 BLACK	1.000 EA
405851012AB	SPACE	4.000 EA
034017012AB	LCKW 1/4 STD. PLATED	4.000 EA
034600001AA	BUSH 1/4TO1/8 BLACK	1.000 EA
034000012AB	WSHR 1/4 STD. PLATED	4.000 EA
032018006AK	HHCS 1/4-20X3/4L PLATED	4.000 EA

Parts List (continued)		
Part Number	Description	Quantity
089438082A	BRKT 440 089438081WCB	1.000 EA
702611001A	BAFFL 440 SUB PAINT	1.000 EA
032018028EK	HHCS 5/8-11X3-1/2L PLTD	4.000 EA
032018028CK	HHCS 3/8-16X3-1/2 PLTD.	3.000 EA
035000001G	GREASE RELIEF FITTING, ALEMITE 317400	1.000 EA
702658001A	CONDUIT BOX, E440	1.000 EA
702658002A	+C/BOX CVR, PAINTED 440	1.000 EA
406056008A	GASKET, TERBD 440	1.000 EA
418153001A	GASK 440	1.000 EA
418150003A	GREASE FITTING CAP	1.000 EA
032018008DK	HHCS 1/2-13X1 PLATED	4.000 EA
048897010DG	PLUG,ODE BRKT - 360	1.000 EA
048977006J	GRFTG - 440	1.000 EA
035000001A	ALFTG 1/8" 1610-BL	1.000 EA
415000103D	T/LUG #4AWG-1/0AWG W/HOLE FOR .250 BOLT	1.000 EA
033512006LB	HHTTS 1/4-20X3/4 PLTD.	8.000 EA
033512004LB	HHTTS 1/4-20X1/2 PLTD.	1.000 EA
035000001A	ALFTG 1/8" 1610-BL	1.000 EA
418150003A	GREASE FITTING CAP	1.000 EA
MG1025Y03	WILKOFASST, 789.701, SUPER E PEARL GOLD	2.000 QT
033775004EA	DRSCR #6-1/4 304 S.S.	2.000 EA
034180024HA	KEY 5/8X5/8X3 L	1.000 EA
604797045	STD. 400 FRAME SKID	1.000 EA
032510024D	CARRIAGE BOLT - 444	2.000 EA

034001016AB	WSHR .562ID 1.375OD .109	2.000 EA
034001014AB	FLAT WASHER 3/8"PLATED	2.000 EA
033300014AC	HEX NUT, SHIPPING - 400	2.000 EA
604797003C	SHIPPING BAG	1.000 EA

REL. S.O.	FRAME	HP	TYPE	PHASE/HERTZ	RPM	VOLTS
	445TSC	250	P	3/60	3565	460
AMPS	DUTY	AMB °C/ INSUL.	S.F.	NEMA DESIGN	CODE LETTER	ENCL.
274	CONT	40/F	1.15	B	F	PROT
E/S	ROTOR	TEST S.O.	TEST DATE	STATOR RES. @25 °C OHMS (BETWEEN LINES)		
498702	418143-14-ME	---	---	.0218		

PERFORMANCE

LOAD	HP	AMPERES	RPM	POWER FACTOR %	EFFICIENCY %
NO LOAD	0	70.1	3600	4.36	0
1/4	62.6	95.0	3592	65.4	94.4
2/4	125	145	3584	83.8	96.0
3/4	187	207	3576	88.2	96.1
4/4	250	274	3567	89.3	95.7
5/4	312	342	3558	89.8	95.1

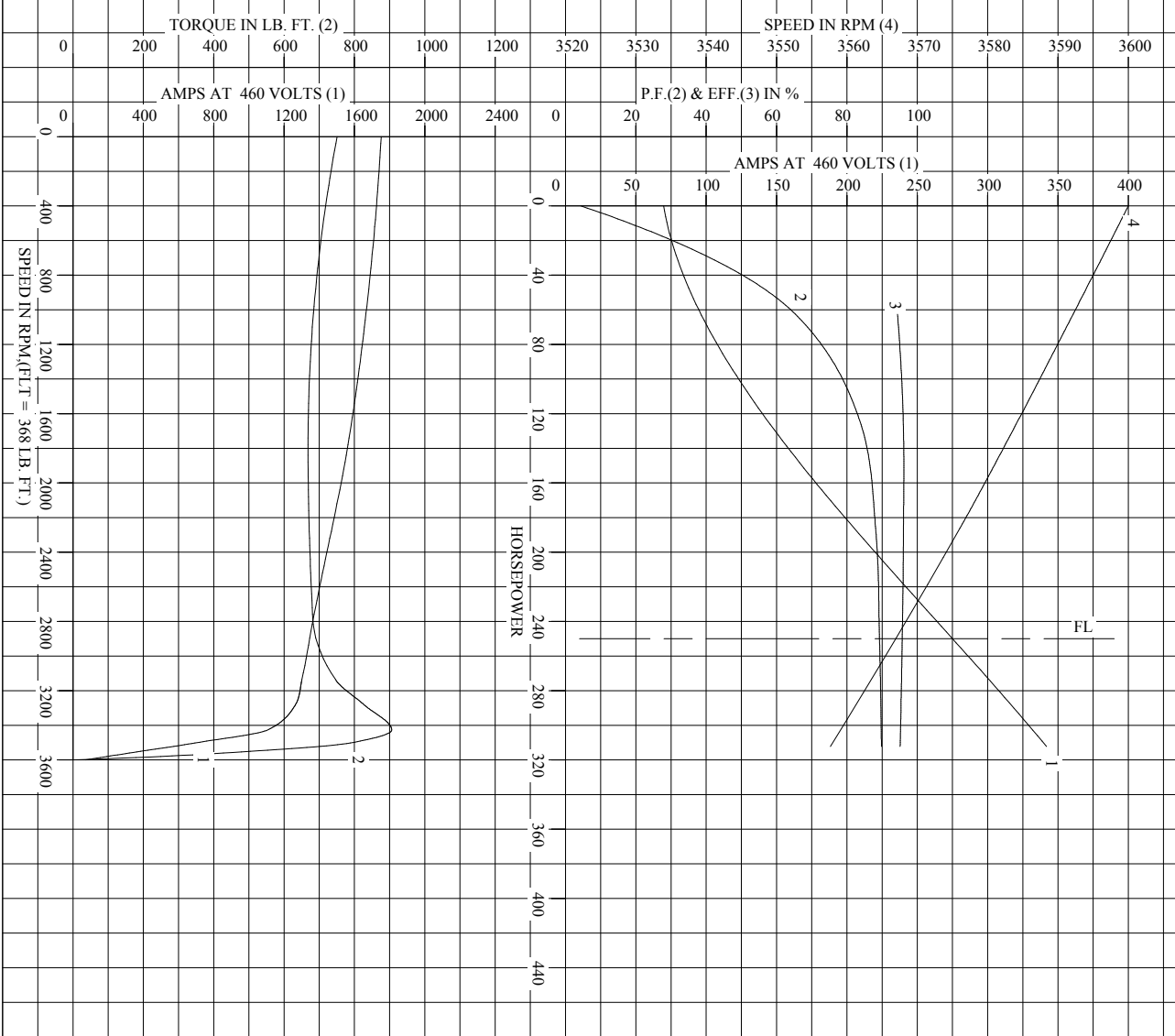
SPEED TORQUE

	RPM	TORQUE % FULL LOAD	TORQUE LB.-FT.	AMPERES
LOCKED ROTOR	0	204	751	1752
PULL UP	1800	181	668	1560
BREAKDOWN	3427	246	906	1106
FULL LOAD	3567	100	368	274

AMPERES SHOWN FOR 460. VOLT CONNECTION. IF OTHER VOLTAGE CONNECTIONS ARE AVAILABLE, THE AMPERES WILL VARY INVERSELY WITH THE RATED VOLTAGE
 REMARKS: TYPICAL DATA

BALDOR	DR. BY	J. J. HARRISON	A-C MOTOR
	CK. BY	W. I. SMITH	
	APP. BY	W. I. SMITH	PERFORMANCE DATA
	DATE	09/24/10	ISSUE DATE 12/18/10

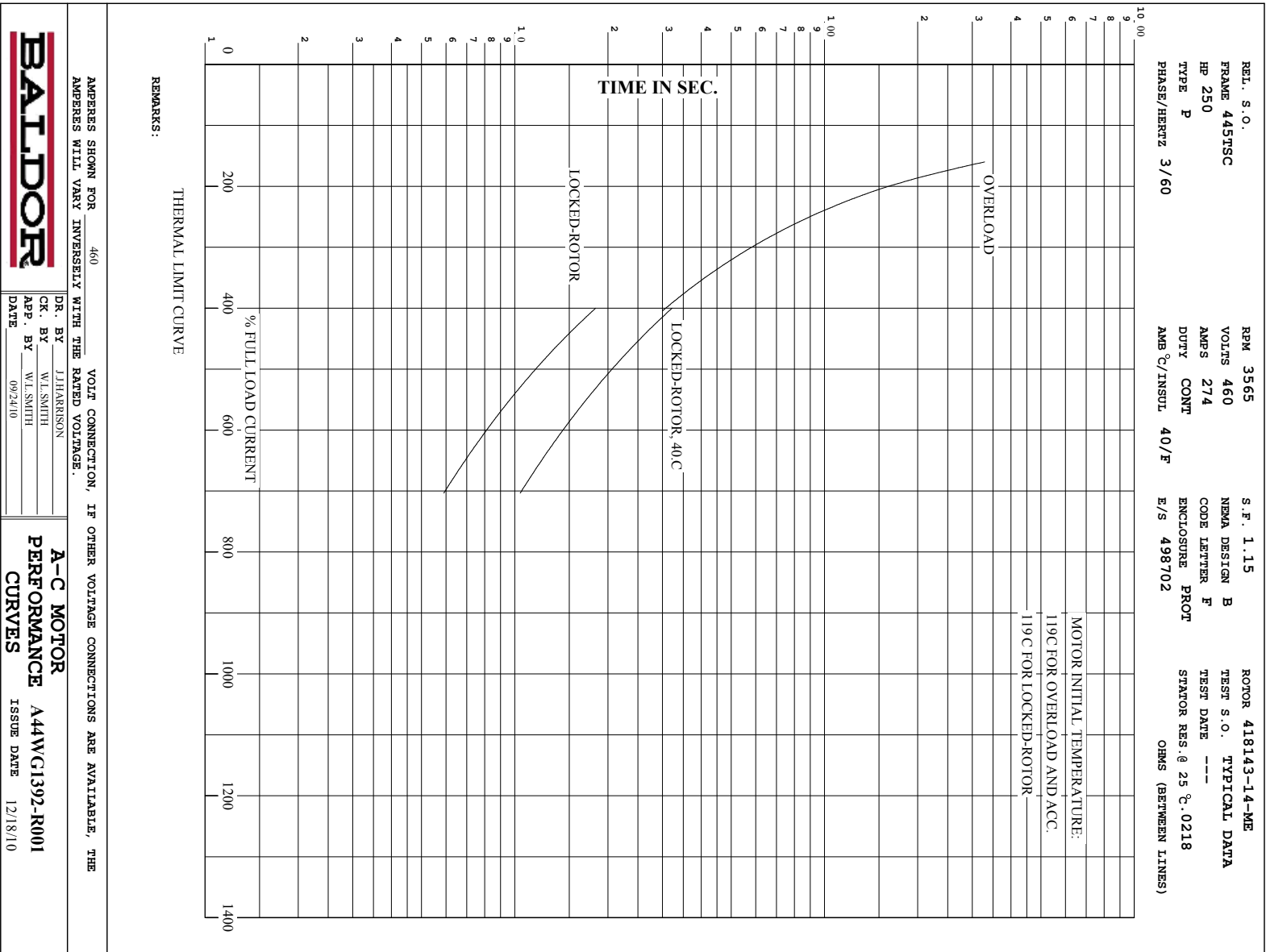
REL. S.O.	RPM 3565	S.F. 1.15	ROTOR 418143-14-ME
FRAME 445TSC	VOLTS 460	NEMA DESIGN B	TEST S.O. TYPICAL DATA
HP 250	AMPS 274	CODE LETTER F	TEST DATE ---
TYPE P	DUTY CONT	ENCLOSURE PROT	STATOR RES. @ 25 °C .0218
PHASE/HERTZ 3/60	AMB °C/INSUL 40/F	E/S 498702	OHMS (BETWEEN LINES)



AMPERES SHOWN FOR 460 VOLT CONNECTION, IF OTHER VOLTAGE CONNECTIONS ARE AVAILABLE, THE AMPERES WILL VARY INVERSELY WITH THE RATED VOLTAGE.

BALDOR	DR. BY J.J. HARRISON	A-C MOTOR PERFORMANCE CURVES	A44WG1392-R001 ISSUE DATE 12/18/10
	CK. BY W.L. SMITH		
	APP. BY W.L. SMITH		
	DATE 09/24/10		

Printed on 12/18/10 1:35 @ psecs-motoreng



Printed on 12/18/10 1:35 @ psecs-motorer

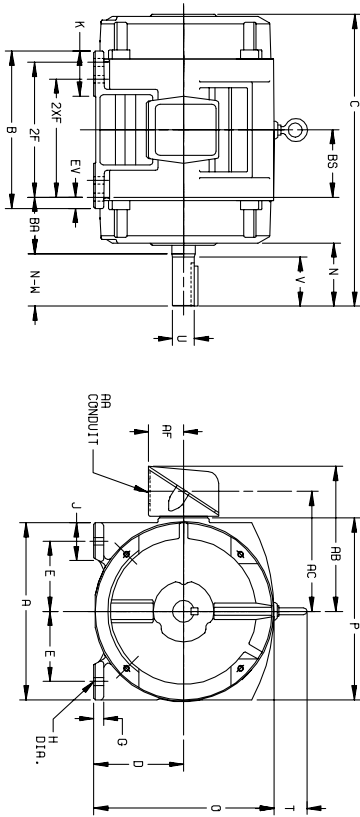
611750-001

DUTY MASTER ALTERNATING CURRENT MOTORS

ENCLOSURE: PROTECTED
MOUNTING: FOOT

FRAMES 250T THRU 440T

COOLING: SELF-VENTILATED



DIMENSIONS ARE IN INCHES

FRAME	A	D(2)	E	G	H	J	K	O	P	STEEL TERMINAL BOX						EV
										T	AA	AB	AC	AF	BA	
254T-256T	12.50	6.25	5.00	.69	.56	2.25	3.50	12.81	12.69	2.44	1-1/4	10.19	8.19	2.50	4.25	.62
284T-286T	14.00	7.00	5.50	.75	.56	2.75	3.75	14.12	14.31	2.44	1-1/2	12.19	9.44	3.19	4.75	1.00
324T-326T	15.75	8.00	6.25	.88	.69	3.12	4.00	16.10	16.42	2.44	2	14.25	10.75	4.25	5.25	1.00
364T-366T	17.00	9.00	7.00	.88	.69	3.00	3.62	18.30	19.56	2.94	3	18.06	14.00	5.38	5.88	1.00
404T-406T	19.00	10.00	8.00	1.12	.81	3.25	4.75	20.56	21.81	2.94	3	19.06	15.00	4.38	6.62	1.12
444T-446T	21.00	11.00	9.00	1.12	.81	3.25	5.25	22.91	23.62	3.25	3	22.62	17.38	5.50	7.50	1.25

FRAME	SIZE	C	BS	B	ZF	N	O	P	T	SHAFT AND KEY			WEIGHT LBS. (5)
										N-W(6)	U(3)	V	
254T	22.44	5.00	11.25	---	8.25	4.25	4.00	1.625	3.75	.375	2.75	.265	
296T	22.44	5.00	11.25	10.00	---	4.25	4.00	1.625	3.75	.375	2.75	.275	
284T	24.94	5.50	13.00	---	9.50	4.88	4.62	1.875	4.38	.500	3.25	.340	
284T	23.56	5.50	13.00	---	9.50	3.50	3.25	1.625	3.00	.375	1.88	.370	
286T	24.94	5.50	13.00	---	9.50	4.88	4.62	1.875	4.38	.500	3.25	.370	
286T	23.56	5.50	13.00	11.00	---	3.50	3.25	1.625	3.00	.375	1.88	.370	
324T	27.56	6.00	14.00	---	10.50	5.50	5.25	2.125	5.00	.500	3.75	.465	
324T	26.06	6.00	14.00	12.00	---	4.00	3.75	1.875	3.50	.500	2.00	.465	
326T	27.56	6.00	14.00	12.00	---	5.50	5.25	2.125	5.00	.500	3.75	.505	
326T	26.06	6.00	14.00	14.00	---	4.00	3.75	1.875	3.50	.500	2.00	.505	
364T	28.70	6.12	14.25	---	11.25	6.12	3.88	2.375	5.62	.825	4.25	.710	
364T	27.56	6.12	14.25	12.25	---	4.00	3.75	1.875	3.50	.500	2.00	.710	
365T	29.70	6.12	14.25	---	12.25	6.12	3.88	2.375	5.62	.825	4.25	.755	
365T	27.56	6.12	14.25	12.25	---	4.00	3.75	1.875	3.50	.500	2.00	.750	
404T	34.00	6.88	16.00	---	12.25	7.62	4.25	2.125	7.00	.750	5.50	1.020	
404T	34.00	6.88	16.00	13.75	---	6.62	4.25	2.125	7.00	.750	5.50	1.065	
405T	34.00	6.88	16.00	---	12.25	7.62	4.25	2.125	7.00	.750	5.50	1.020	
405T	34.00	6.88	16.00	13.75	---	6.62	4.25	2.125	7.00	.750	5.50	1.065	
444T	39.56	8.25	19.00	---	14.50	8.94	4.75	3.375	8.25	.875	6.88	1.715	
444T	39.56	8.25	19.00	14.50	---	8.94	4.75	3.375	8.25	.875	6.88	1.715	
444T	39.56	8.25	19.00	16.50	---	8.94	4.75	3.375	8.25	.875	6.88	1.750	
445T	39.56	8.25	19.00	16.50	---	8.94	4.75	3.375	8.25	.875	6.88	1.750	
445T	39.56	8.25	19.00	16.50	---	8.94	4.75	3.375	8.25	.875	6.88	1.750	

- (1) SPECIAL DIMENSIONS APPLYING TO THIS ORDER ON THIS LINE.
 - (2) "D" VARIES [290T - 320T +.00, -.03.
 - (3) "U" VARIES +.000, -.001
 - (4) ALL FRAMES HAVE EIGHT MOUNTING HOLES FOR DUAL MOUNTING.
 - (5) MOTOR WEIGHTS MAY VARY BY 15% DEPENDING UPON RATING.
- CONDUIT BOX LOCATED ON OPPOSITE SIDE WHEN F-2-W-1, W-4-W-5-W-7, OR C-1 MOUNTING IS SPECIFIED.
- IF MOUNTING CLEARANCE DETAILS ARE REQUIRED, CONSULT FACTORY.
- MAXIMUM PERMISSIBLE SHAFT RUNOUT WHEN MEASURED AT END OF STD. SHAFT EXTENSION IS .002 T.I.R. UP TO AND INCLUDING 1.625 DIA. AND .005 T.I.R. ABOVE 1.625 TO 5 INCH DIA.

FRAMES: N-W VARIES +.00, -.25; PE-
 ORDER: ITEM- HP- CERTIFIED FOR- RPM- PH- HZ VOLTS
 SALES ORDER- APPROVED BY- DATE

100-057119

CUSTOMER IS RESPONSIBLE FOR DETERMINING THAT BALDOR'S PRODUCT WILL PERFORM SUITABLY IN THE INTENDED APPLICATION.

REV. DESC: ASSIGNED TO BUSLOAD	VERSION: 01	TDR: 000000489455
REV. LTR: A	REVISED: 15:03:33 02/02/2009	BY: RAGZJR
FILE: \RAG\00008\297		
MTL: -		

Baldor • Dodge • Reliance

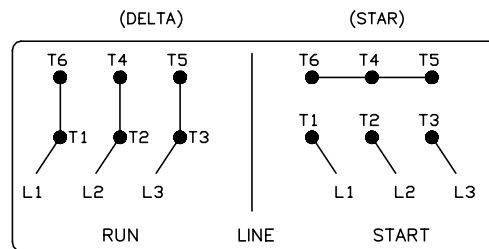
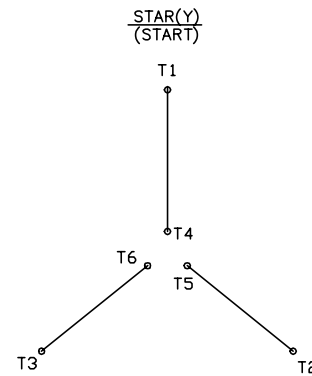
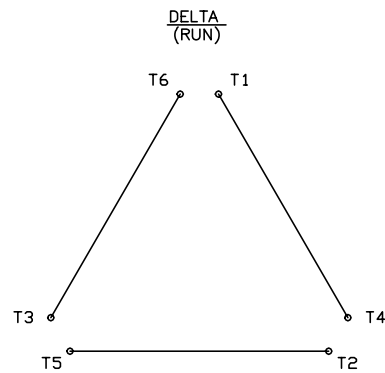
DIM SHT PROT SV FT 250-440T
SH 1 of 1

416820-008

A-C MOTOR CONNECTION DIAGRAM

STANDARD 6 LEAD

Y START - DELTA RUN



< N. P. 1767-DC >

416820-008

REV. DESC: ADDED T4 TO Y CONNECT DIAGRAM		
REV. LTR: D	VERSION: 04	TDR: 000000847713
FILE: \RAG\00001\808	REVISED: 10: 41: 26 04/08/2014	BY: RAGJSS1
MTL: -	⊙ □	

BALDOR

CONNECT DIAGRAM STD 6 LEAD Y START DELTA RUN

SH 1 of 1

Marketing maintained PDF of MN408:

<http://www.baldor.com/support/Literature/Load.ashx/MN408?ManNumber=MN408>

Marketing maintained PDF of MN416:

<http://www.baldor.com/support/Literature/Load.ashx/MN416?ManNumber=MN416>