

# **BALDOR**® • ***RELIANCE***

## **Product Information Packet**

# **EM2535T-CI**

**30HP, 1770RPM, 3PH, 60HZ, 286T, 1050M, OPEN, F1**

Part Detail							
Revision:	H	Status:	PRD/A	Change #:		Proprietary:	No
Type:	AC	Prod. Type:	1050M	Elec. Spec:	10WGY784	CD Diagram:	CD0180
Enclosure:	OPEN	Mfg Plant:		Mech. Spec:	10D01	Layout:	10LYD001
Frame:	286T	Mounting:	F1	Poles:	04	Created Date:	06-18-2010
Base:	RG	Rotation:	R	Insulation:	F	Eff. Date:	01-04-2017
Leads:	9#10					Replaced By:	
Literature:		Elec. Diagram:					

<b>Nameplate NP3554L</b>													
CAT.NO.	EM2535T-CI			P/N				ENCLOSURE	OPEN				
SPEC.	10D001Y784G1		CC	010A		FRAME	286T		S/N				
HP	30			CLASS	F		HZ	60					
RPM	1770			PH	3		DES	B					
VOLT	230/460			KVA-CODE	F		ODE BRG	6309		DE BRG	6310		
AMP	70/35			USABLE AT 208V				74					
RATING	40C AMB-CONT			NEMA-NOM-EFF				94.1		GREASE		POLYREX EM	
PF	85		SER.F.	1.15		VPWM INVERTER READY							
HTR-VOLTS			HTR-AMPS			MAX. SPACE HEATER TEMP.							

Parts List		
Part Number	Description	Quantity
SA198440	SA 10D001Y784G1	1.000 EA
RA185807	RA 10D001Y784G1	1.000 EA
S/P107-000-004	SUPER-E(284 FR. & UP)-CL PLANT,POLYREX E	1.000 EA
10CB3000SP	STD KO BOX MODEL 310,312,314 MTRS W/2.00	1.000 EA
10XN3118K12	5/16-18 X .75 GRADE 5, ZINC PLATED	4.000 EA
HW1001A31	LOCKWASHER 5/16, ZINC PLT.591 OD, .319 I	4.000 EA
10AD2000A02	AIR DEFLECTOR, STAT	1.000 EA
51XF1032A08	10/32X1/2 HXWSHR HD, SL, TYPE F ,SERATED	3.000 EA
51XF1032A08	10/32X1/2 HXWSHR HD, SL, TYPE F ,SERATED	3.000 EA
WD1000B16	T&B CX70TN TERMINAL	1.000 EA
51XF2520A08	SCREW, HEX SER SLT HD, ZN 1/4-20 X .50 L	1.000 EA
10EP1200A04	ENDPLATE, MACH	1.000 EA
10AD2000A02	AIR DEFLECTOR, STAT	1.000 EA
10XN3816K76	3/8-16 X 4.75 HEX HD CAP SCREW, GRADE 5	4.000 EA
HW1001A38	LOCKWASHER 3/8, ZINC PLT .688 OD, .382 I	4.000 EA
HW5100A11	W3917-042 WVY WSHR (WB)	1.000 EA
10XN3118K32	5/16-18 X 2.00" HEX HD, GRADE 5	4.000 EA
HW1001A31	LOCKWASHER 5/16, ZINC PLT.591 OD, .319 I	4.000 EA
10EP1200A03	ENDPLATE, MACH PU	1.000 EA
10XN3816K76	3/8-16 X 4.75 HEX HD CAP SCREW, GRADE 5	4.000 EA
HW1001A38	LOCKWASHER 3/8, ZINC PLT .688 OD, .382 I	4.000 EA
10XN3118K32	5/16-18 X 2.00" HEX HD, GRADE 5	4.000 EA
HW1001A31	LOCKWASHER 5/16, ZINC PLT.591 OD, .319 I	4.000 EA
10CB3500SP	CONDUIT BOX LID, CAST	1.000 EA

<b>Parts List (continued)</b>		
<b>Part Number</b>	<b>Description</b>	<b>Quantity</b>
51XW2520A12	.25-20 X .75, TAPTITE II, HEX WSHR SLTD	4.000 EA
HW2501H28	KEY, 1/2 SQ X 3.250	1.000 EA
LB1115N	LABEL,LIFTING DEVICE (ON ROLLS)	1.000 EA
MN416A01	TAG-INSTAL-MAINT no wire (1000/bx) 11/14	1.000 EA
HW4500A03	GREASE FITTING, .125 NPT 1610(ALEMITE) 8	1.000 EA
HW4500A20	1/8NPT SL PIPE PLUG	1.000 EA
HA4051A00	PLASTIC CAP FOR GREASE FITTING	1.000 EA
MG1000Y03	MUNSELL 2.53Y 6.70/ 4.60, GLOSS 20,	0.125 GA
MJ1000A02	GREASE, POLYREX EM EXXON (USe 4824-15A)	0.130 LB
HW4500A03	GREASE FITTING, .125 NPT 1610(ALEMITE) 8	1.000 EA
HW4500A20	1/8NPT SL PIPE PLUG	1.000 EA
HA4051A00	PLASTIC CAP FOR GREASE FITTING	1.000 EA
85XU0407S04	4X1/4 U DRIVE PIN STAINLESS	4.000 EA
LB1119N	WARNING LABEL	1.000 EA
LC0181	CONNECTION LABEL	1.000 EA
NP3554L	SS SUPER-E UL CSA-EEV PREM CC	1.000 EA
10PA1000	PACKAGING GROUP COMBINED PRINT PK1023A06	1.000 EA

**AC Induction Motor Performance Data**

Record # 31615 - Typical performance - not guaranteed values

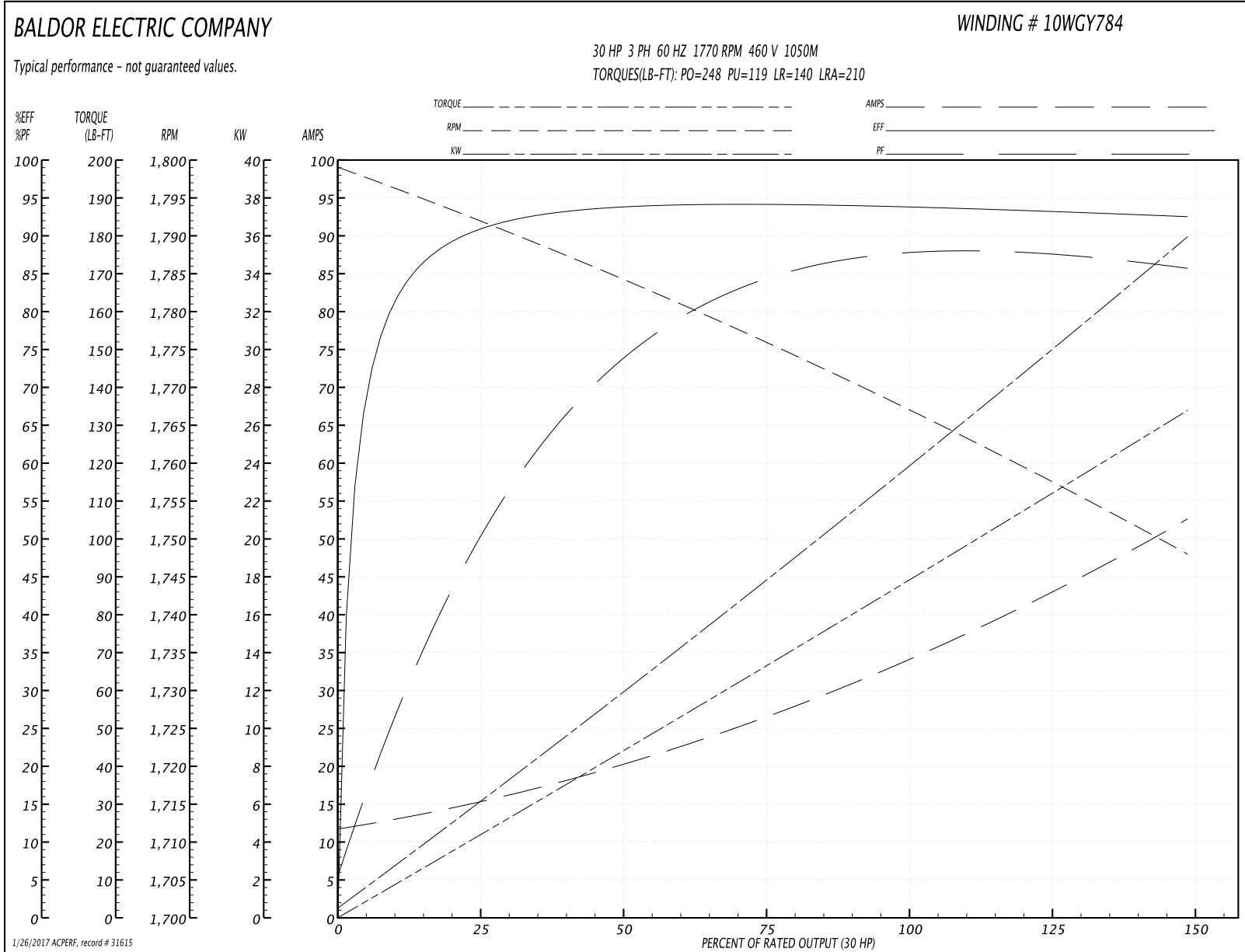
<b>Winding:</b> 10WGY784-R001	<b>Type:</b> 1050M	<b>Enclosure:</b> OPEN
-------------------------------	--------------------	------------------------

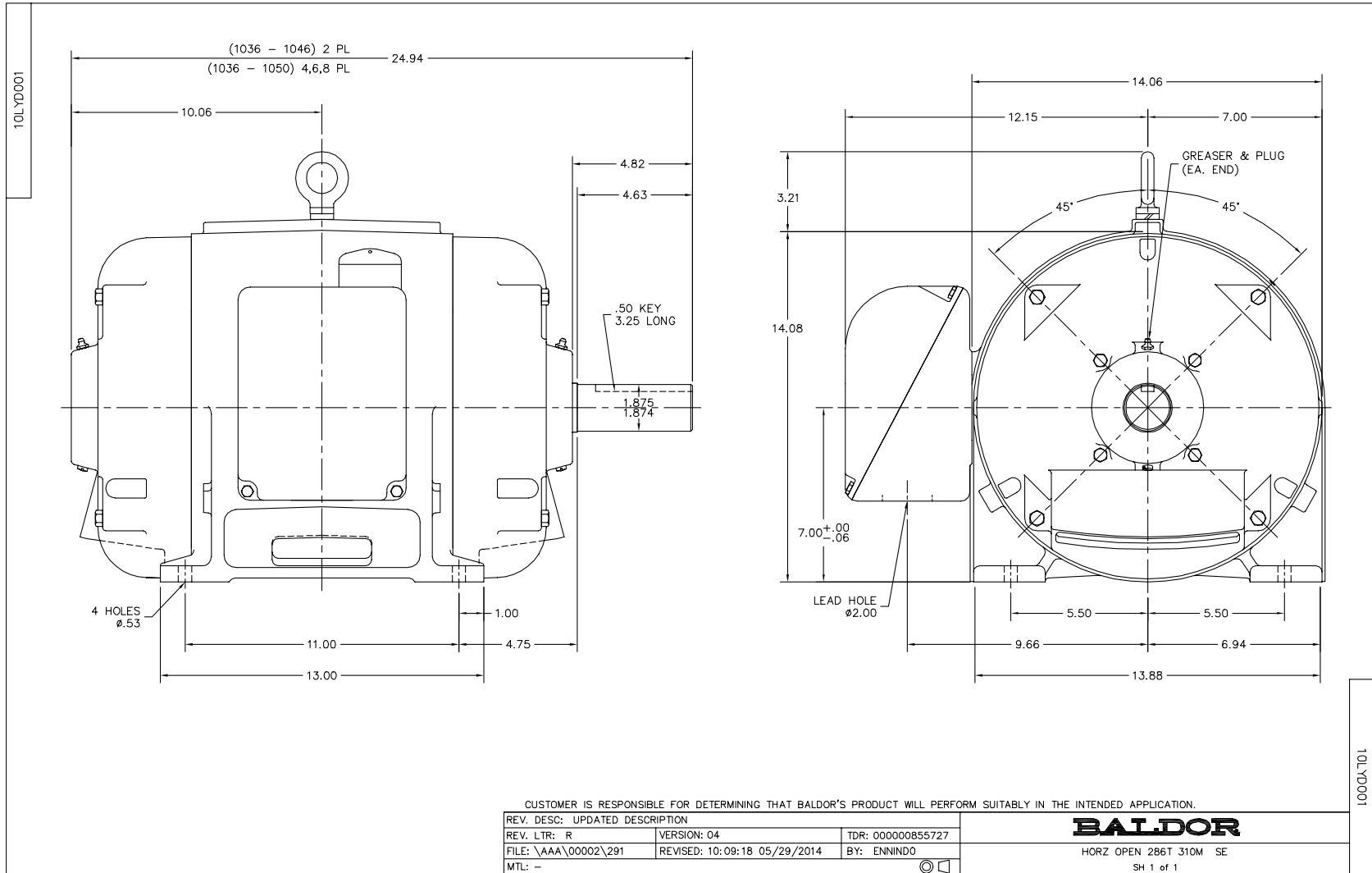
Nameplate Data				460 V, 60 Hz: High Voltage Connection	
Rated Output (HP)	30			Full Load Torque	89 LB-FT
Volts	230/460			Start Configuration	direct on line
Full Load Amps	70/35			Breakdown Torque	248 LB-FT
R.P.M.	1770			Pull-up Torque	119 LB-FT
Hz	60	Phase	3	Locked-rotor Torque	140 LB-FT
NEMA Design Code	B	KVA Code	F	Starting Current	210 A
Service Factor (S.F.)	1.15			No-load Current	12.3 A
NEMA Nom. Eff.	94.1	Power Factor	85	Line-line Res. @ 25°C	0.254 Ω
Rating - Duty	40C AMB-CONT			Temp. Rise @ Rated Load	32°C
S.F. Amps				Temp. Rise @ S.F. Load	40°C
				Locked-rotor Power Factor	32
				Rotor inertia	3.97 LB-FT <sup>2</sup>

Load Characteristics 460 V, 60 Hz, 30 HP

% of Rated Load	25	50	75	100	125	150	S.F.
Power Factor	54	75	84	86	87	86	87
Efficiency	90.8	93.8	94.2	94.1	93.1	92.6	93.5
Speed	1792	1784	1776	1767	1758	1748	1762
Line amperes	14.6	20	26.8	34.5	42.8	52.3	39.5

Performance Graph at 460V, 60Hz, 30.0HP Typical performance - Not guaranteed values

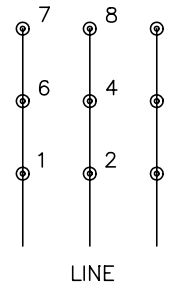




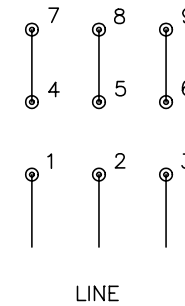
CD0180



LOW VOLTAGE  
(2D)



HIGH VOLTAGE  
(1D)



NOTES:

1. INTERCHANGE ANY TWO LINE LEADS TO REVERSE ROTATION.
2. OPTIONAL THERMOSTATS ARE PROVIDED WHEN SPECIFIED.
3. ACTUAL NUMBER OF INTERNAL PARALLEL CIRCUITS MAY BE A MULTIPLE OF THOSE SHOWN ABOVE.
4. LEAD COLORS ARE OPTIONAL. LEADS MUST ALWAYS BE NUMBERED AS SHOWN.

REV. DESC: REVISE TO SHOW OPTIONAL COLORS			
REV. LTR: C	BY: JLP	REVISED: 01/21/99 2:28	TDR: 0171435
0810D0		FILE: AAA00005148	MDL: -
		MTL: -	

**BALDOR ELECTRIC Co.**

3PH, DV, 9 LEADS, DELTA CONNECTION

CD0180