

BALDOR® • **RELIANCE**

Product Information Packet

EM2556T-4

150HP,3540RPM,3PH,60HZ,405TS,4464M,OPSB

Part Detail							
Revision:	H	Status:	PRD/A	Change #:		Proprietary:	No
Type:	AC	Prod. Type:	4464M	Elec. Spec:	44WGW254	CD Diagram:	CD0382
Enclosure:	OPSB	Mfg Plant:		Mech. Spec:	44E194	Layout:	44LYE194
Frame:	405TS	Mounting:	F1	Poles:	02	Created Date:	05-15-2012
Base:	RG	Rotation:	R	Insulation:	F	Eff. Date:	01-13-2017
Leads:	6#2					Replaced By:	
Literature:		Elec. Diagram:					

Nameplate NP2138L												
CAT.NO.	EM2556T-4			P/N				ENCLOSURE	OPSB			
SPEC.	44E194W254G1		CC	010A		FRAME	405TS		S/N			
HP	150			CLASS	F		HZ	60				
RPM	3540			PH	3		DES	B				
VOLT	460				KVA-CODE	H		ODE BRG	6312		DE BRG	6312
AMP	166			USABLE AT 208V								
RATING	40C AMB-CONT			GREASE	POLYREX EM							
NEMA-NOM-EFF	94.1	PF	91	SER.F.	1.15							
HTR-VOLTS			HTR-AMPS			MAX. SPACE HEATER TEMP.						

Parts List		
Part Number	Description	Quantity
SA244717	SA 44E194W254G1	1.000 EA
RA231602	RA 44E194W254G1	1.000 EA
S/P107-000-004	SUPER-E(284 FR. & UP)-CL PLANT,POLYREX E	1.000 EA
HA6731	LIFTING LUG FOR 44 FRAME MOTORS.	2.000 EA
HA6648A01	CAST ADAPTER, 44 FRAME - NEMA 404-5 - MA	1.000 EA
19XW3816A12	.38-16 X .75 HEX WASHER HEAD TAPTITE II	2.000 EA
HW1001A38	LOCKWASHER 3/8, ZINC PLT .688 OD, .382 I	2.000 EA
18CB1006A04	CB 318 3.62 LD HOLE, .38 MTG HOLE & 3.88	1.000 EA
19XW3118A16	.31-18 HEX WASHER HEAD TAPTITE II 1.00 L	4.000 EA
HW1001A31	LOCKWASHER 5/16, ZINC PLT.591 OD, .319 I	4.000 EA
WD1000B25	GND LUG, BURNDY L125HP OR T&B L125HP-BB	1.000 EA
10XN3118K08	5/16-18 X .50 GRADE #5, STL, ZINC PLATE	1.000 EA
HW1001A31	LOCKWASHER 5/16, ZINC PLT.591 OD, .319 I	1.000 EA
44EP1203A02	FREP, MACH	1.000 EA
HW5100A15	W4997-050 WVY WSHR (WB)	1.000 EA
10XN3118K44	5/16-18 X 2.75" HEX HD, GRADE 5	4.000 EA
HW1001A31	LOCKWASHER 5/16, ZINC PLT.591 OD, .319 I	4.000 EA
44EP1203A11	PU ENDPLATE, MACH	1.000 EA
XY5013A12	NUT,1/2-13,HEX,STEEL,ZINCPLATED	8.000 EA
18CB1506A01	CB LID 318 FOR 18CB1006	1.000 EA
10XN3118K16	5/16-18 X 1" GRADE #5, STL, ZINC PLATE	4.000 EA
HW1001A31	LOCKWASHER 5/16, ZINC PLT.591 OD, .319 I	4.000 EA
HW2501H24	KEY, 1/2 SQ X 2.750	1.000 EA
LB1115N	LABEL,LIFTING DEVICE (ON ROLLS)	1.000 EA

Parts List (continued)		
Part Number	Description	Quantity
MN416A01	TAG-INSTAL-MAINT no wire (1000/bx) 11/14	1.000 EA
HW4500A03	GREASE FITTING, .125 NPT 1610(ALEMITE) 8	1.000 EA
HW4500A20	1/8NPT SL PIPE PLUG	1.000 EA
HA4051A00	PLASTIC CAP FOR GREASE FITTING	1.000 EA
MJ1000A02	GREASE, POLYREX EM EXXON (USe 4824-15A)	0.030 LB
HW4500A03	GREASE FITTING, .125 NPT 1610(ALEMITE) 8	1.000 EA
HW4500A20	1/8NPT SL PIPE PLUG	1.000 EA
HA4051A00	PLASTIC CAP FOR GREASE FITTING	1.000 EA
MG1000Y03	MUNSELL 2.53Y 6.70/ 4.60, GLOSS 20,	0.080 GA
85XU0407S04	4X1/4 U DRIVE PIN STAINLESS	4.000 EA
44AD2001A01	BAFFLE 44 OPEN,"X"=1.00, SLOTTED BAND MT	1.000 EA
44AD2001A01	BAFFLE 44 OPEN,"X"=1.00, SLOTTED BAND MT	1.000 EA
HA3175A03	THRUBOLT STUD 1/2-13 X 24.250 - GRADE 2	4.000 EA
LB1119N	WARNING LABEL	1.000 EA
LC0382	CONNECTION LABEL	1.000 EA
NP2138L	ALUM SUPER-E UL CSA-EEV PREM CC (300	1.000 EA
14PA1000	PACKAGING 314 GROUP COMBINED PRINT	1.000 EA

Accessories		
Part Number	Description	Multiplier
44-1403A	C FACE KIT 44/404 USC TSC 6312 BRG	A8

AC Induction Motor Performance Data

Record # 38383 - Typical performance - not guaranteed values

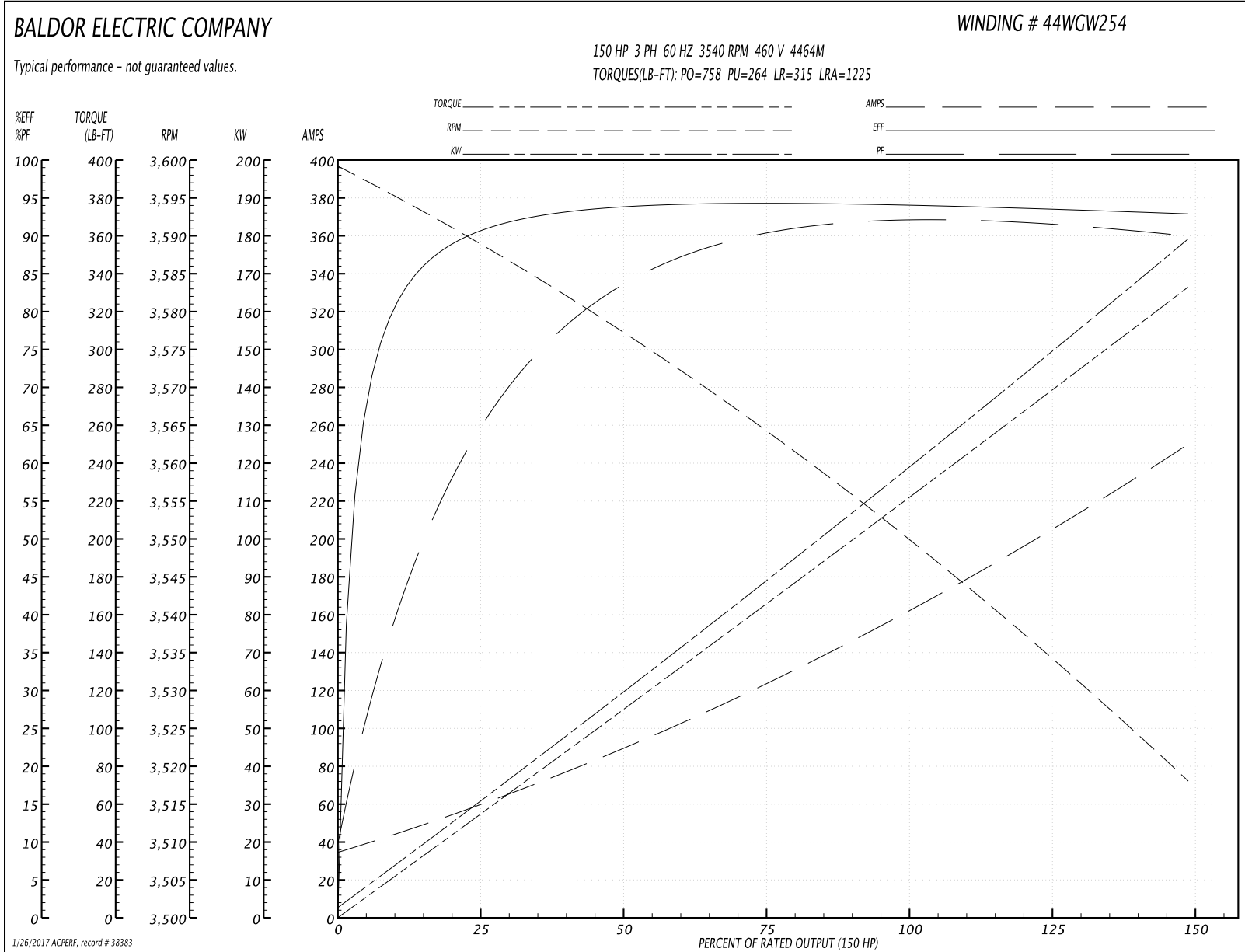
Winding: 44WGW254-R003	Type: 4464M	Enclosure: OPSB
-------------------------------	--------------------	------------------------

Nameplate Data				460 V, 60 Hz: Single Voltage Motor	
Rated Output (HP)	150			Full Load Torque	224 LB-FT
Volts	460			Start Configuration	direct on line
Full Load Amps	166			Breakdown Torque	758 LB-FT
R.P.M.	3540			Pull-up Torque	264 LB-FT
Hz	60	Phase	3	Locked-rotor Torque	315 LB-FT
NEMA Design Code	B	KVA Code	H	Starting Current	1225 A
Service Factor (S.F.)	1.15			No-load Current	37.6 A
NEMA Nom. Eff.	94.1	Power Factor	91	Line-line Res. @ 25°C	0.0479 Ω
Rating - Duty	40C AMB-CONT			Temp. Rise @ Rated Load	54°C
S.F. Amps				Temp. Rise @ S.F. Load	66°C
				Locked-rotor Power Factor	26
				Rotor inertia	8.37 LB-FT ²

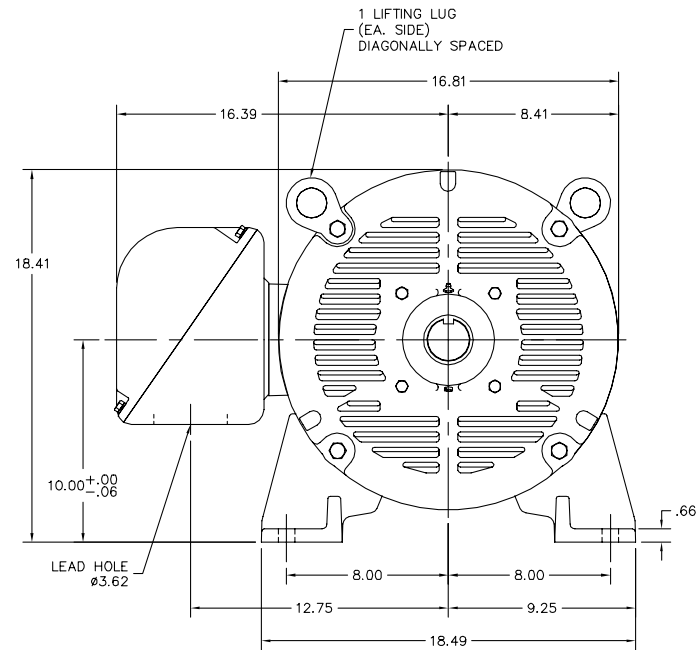
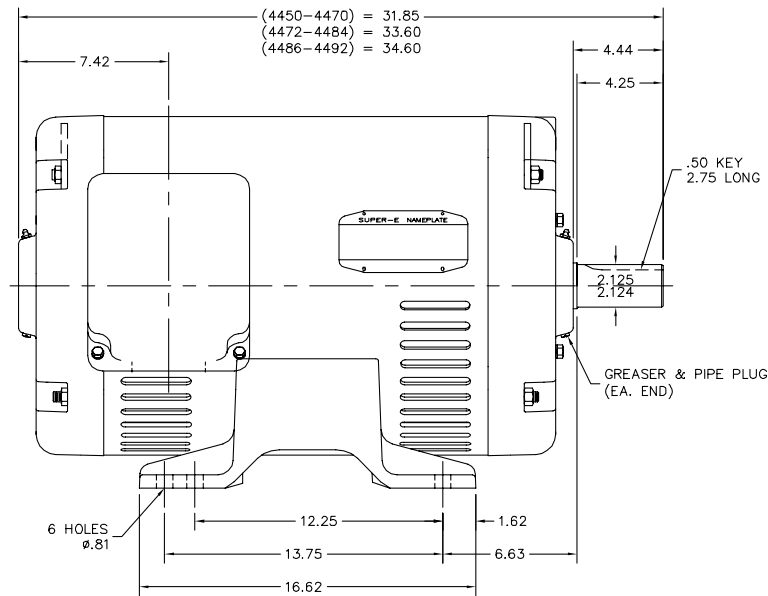
Load Characteristics 460 V, 60 Hz, 150 HP

% of Rated Load	25	50	75	100	125	150	S.F.
Power Factor	70	86	90	91	91	91	91
Efficiency	90.6	93.8	94.3	94.1	93.4	93.4	93.6
Speed	3589	3576	3565	3549	3532	3519	3539
Line amperes	56.5	89.2	126	166	210	247	192

Performance Graph at 460V, 60Hz, 150.0HP Typical performance - Not guaranteed values



44LYE194



44LYE194

CUSTOMER IS RESPONSIBLE FOR DETERMINING THAT BALDOR'S PRODUCT WILL PERFORM SUITABLY IN THE INTENDED APPLICATION.

REV. DESC: NEW	VERSION: 00	TDR: 000000505124
REV. LTR: -	REVISED: 07:25:27 07/10/2009	BY: ENGAMG0
FILE: \AAA\00164\047		
MTL: -		

BALDOR • DODGE • RELIANCE
 HORZ OPSB 404-5TS, SUPER-E
 SH 1 of 1

CD0382

