

# **BALDOR**® • ***RELIANCE***

## **Product Information Packet**

# **EM4104T-58**

**30HP,1470RPM,3PH,50HZ,286T,1060M,TEFC,F1**

Part Detail							
Revision:	C	Status:	PRD/A	Change #:		Proprietary:	No
Type:	AC	Prod. Type:	1060M	Elec. Spec:	10WGZ379	CD Diagram:	CD0382
Enclosure:	TEFC	Mfg Plant:		Mech. Spec:	10C151	Layout:	10LYC151
Frame:	286T	Mounting:	F1	Poles:	04	Created Date:	03-31-2015
Base:	RG	Rotation:	R	Insulation:	F	Eff. Date:	01-04-2017
Leads:	6#8					Replaced By:	
Literature:		Elec. Diagram:					

Nameplate NP3444L	
CAT NO	EM4104T-58
SPEC.	10C151Z379G2
HP	30 PH 3
VOLTS	400
AMP	42
RPM	1470
FRAME	286T HZ 50 I.P. 54
SER.F.	1.15 CODE G DES B CL F
NOM.EFF.	93
PF	82 USABLE AT 208V
RATING	40C AMB-CONT CC
DE BRG	6311 ODE 6309
ENCL	TEFC SN
VPWM INVERTER READY	
CT6-60H(10:1)VT3-60H(20:1)	
BLANK	IE3-93.6(75%)93.3(50%)

Parts List		
Part Number	Description	Quantity
SA296035	SA 10C151Z379G2	1.000 EA
RA282086	RA 10C151Z379G2	1.000 EA
09FN3001C02	EXTERNAL FAN, PLASTIC	1.000 EA
10CB3000SP	STD KO BOX MODEL 310,312,314 MTRS W/2.00	1.000 EA
12GS1000SP	GASKET	1.000 EA
10XN3118K12	5/16-18 X .75 GRADE 5, ZINC PLATED	4.000 EA
HW1001A31	LOCKWASHER 5/16, ZINC PLT.591 OD, .319 I	4.000 EA
WD1000B16	T&B CX70TN TERMINAL	1.000 EA
51XF2520A08	SCREW, HEX SER SLT HD, ZN 1/4-20 X .50 L	1.000 EA
10EP1106A01	FR ENDPLATE, MACH	1.000 EA
10XN3816K32	BOLT, 3/8-16X2 HH YZ(5)	4.000 EA
HA4017A01	1/8 X 4 GREASE EXT (F/S)	1.000 EA
HW1001A38	LOCKWASHER 3/8, ZINC PLT .688 OD, .382 I	4.000 EA
HW5100A11	W3917-042 WVY WSHR (WB)	1.000 EA
10XN2520K32	1/4-20 X 2.00 HX HD SCRW GRADE 5, ZINC P	2.000 EA
HW1001A25	LOCKWASHER 1/4, ZINC PLT .493 OD, .255 I	2.000 EA
10XN3118K40	5/16-18 X 2.50" HEX HD, GRADE 5	4.000 EA
HW1001A31	LOCKWASHER 5/16, ZINC PLT.591 OD, .319 I	4.000 EA
10EP1105A01	PU ENDPLATE, MACH	1.000 EA
10XN3816K28	3/8-16 X 1.75 HEX HD CAP SCREW, GRADE 5	4.000 EA
HW1001A38	LOCKWASHER 3/8, ZINC PLT .688 OD, .382 I	4.000 EA
10FH4000	310 FAN HOUSING STAMPED	1.000 EA
51XF2520A08	SCREW, HEX SER SLT HD, ZN 1/4-20 X .50 L	4.000 EA
10CB3500SP	CONDUIT BOX LID, CAST	1.000 EA

<b>Parts List (continued)</b>		
<b>Part Number</b>	<b>Description</b>	<b>Quantity</b>
10GS1000SP	GASKET, CONDUIT BOX LID	1.000 EA
51XW2520A12	.25-20 X .75, TAPTITE II, HEX WSHR SLTD	4.000 EA
HW4600B40	V-RING SLINGER 2.000 X 2.680 X .28 VITON	1.000 EA
HW2501H28	KEY, 1/2 SQ X 3.250	1.000 EA
LB1115N	LABEL,LIFTING DEVICE (ON ROLLS)	1.000 EA
HA4051A00	PLASTIC CAP FOR GREASE FITTING	1.000 EA
HW4500A21	1618BALEMITE FITTING 825 UNIVERSAL	1.000 EA
HW4500A17	317400 ALEMITE GREASE RELIEF	1.000 EA
HA4054	SHORT T-DRAIN FITTING, .125" N.P.T.	1.000 EA
MJ1000A02	GREASE, POLYREX EM EXXON (USe 4824-15A)	0.130 LB
HA4051A00	PLASTIC CAP FOR GREASE FITTING	1.000 EA
HW4500A03	GREASE FITTING, .125 NPT 1610(ALEMITE) 8	1.000 EA
HW4500A17	317400 ALEMITE GREASE RELIEF	1.000 EA
HA4054	SHORT T-DRAIN FITTING, .125" N.P.T.	1.000 EA
HW2500A25	WOODRUFF KEY USA #1008 #BLOW CARBON STEE	1.000 EA
51XB1214A20	12-14X1.25 HXWSSLD SERTYB	1.000 EA
MG1000Y03	MUNSELL 2.53Y 6.70/ 4.60, GLOSS 20,	0.125 GA
85XU0407S04	4X1/4 U DRIVE PIN STAINLESS	2.000 EA
LB1119N	WARNING LABEL	1.000 EA
LC0382	CONNECTION LABEL	1.000 EA
NP3444L	ALUM SUPER-E VPWM INV READY NEMA IE3 UL	1.000 EA
10PA1000	PACKAGING GROUP COMBINED PRINT PK1023A06	1.000 EA
MN416A01	TAG-INSTAL-MAINT no wire (1000/bx) 11/14	1.000 EA

**AC Induction Motor Performance Data**

Record # 49468 - Typical performance - not guaranteed values

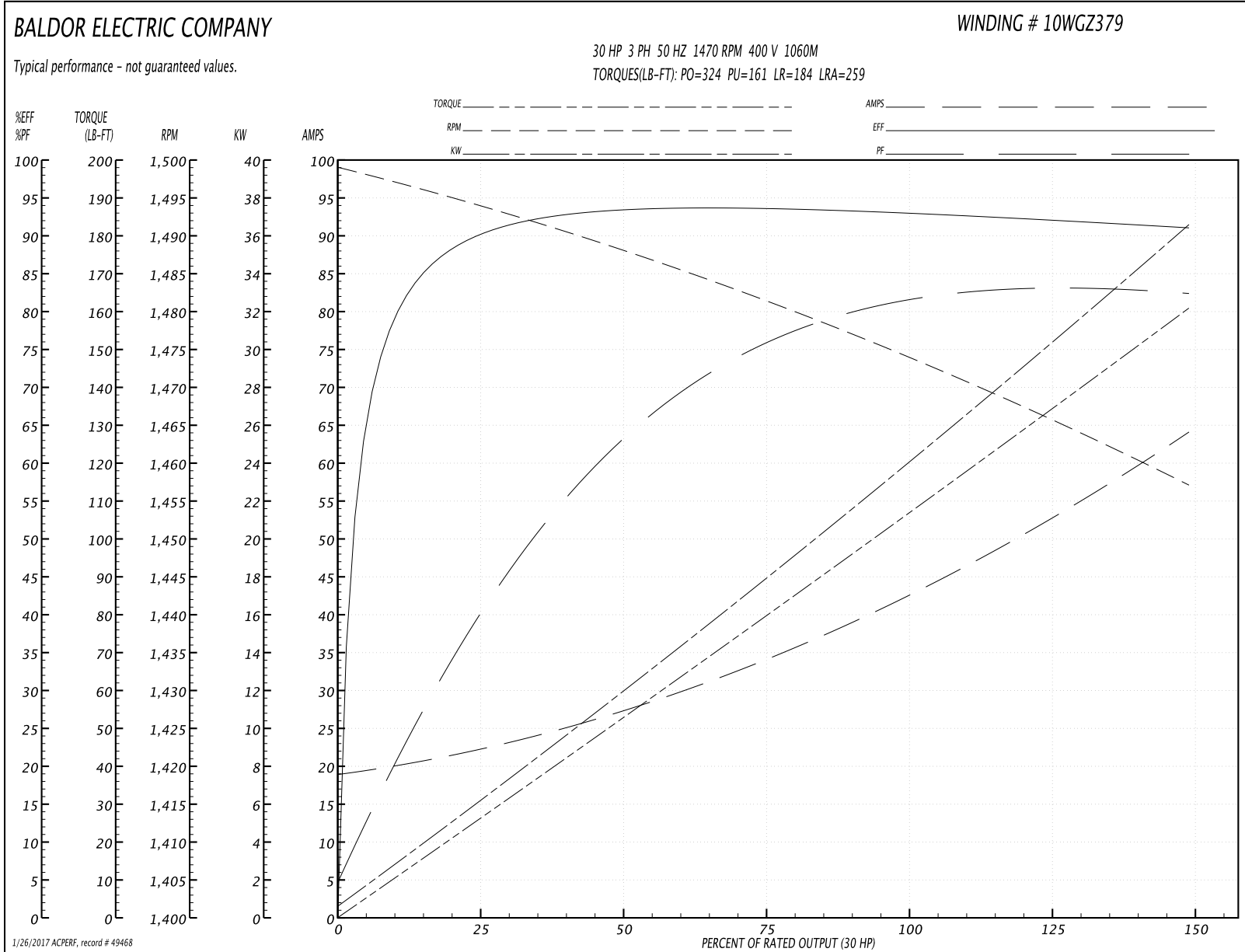
<b>Winding:</b> 10WGZ379-R001	<b>Type:</b> 1060M	<b>Enclosure:</b> TEFC
-------------------------------	--------------------	------------------------

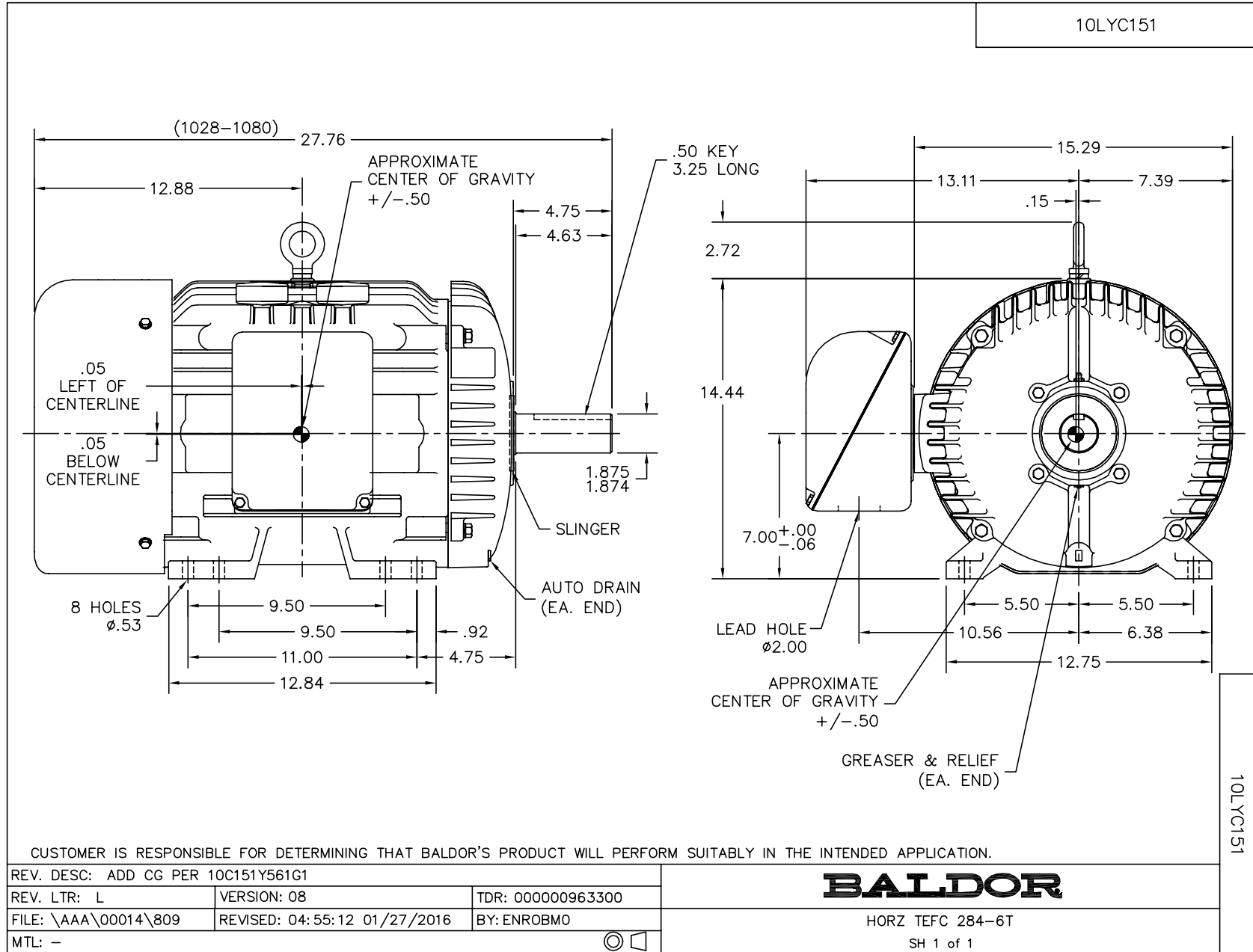
Nameplate Data				400 V, 50 Hz: Single Voltage Motor	
Rated Output (HP)	30			Full Load Torque	107 LB-FT
Volts	400			Start Configuration	direct on line
Full Load Amps	42			Breakdown Torque	324 LB-FT
R.P.M.	1470			Pull-up Torque	161 LB-FT
Hz	50	Phase	3	Locked-rotor Torque	184 LB-FT
NEMA Design Code	B	KVA Code	G	Starting Current	259 A
Service Factor (S.F.)	1.15			No-load Current	19.4 A
NEMA Nom. Eff.	93	Power Factor	82	Line-line Res. @ 25°C	0.199 Ω
Rating - Duty	40C AMB-CONT			Temp. Rise @ Rated Load	69°C
S.F. Amps				Temp. Rise @ S.F. Load	85°C
				Locked-rotor Power Factor	35
				Rotor inertia	4.77 LB-FT <sup>2</sup>

Load Characteristics 400 V, 50 Hz, 30 HP

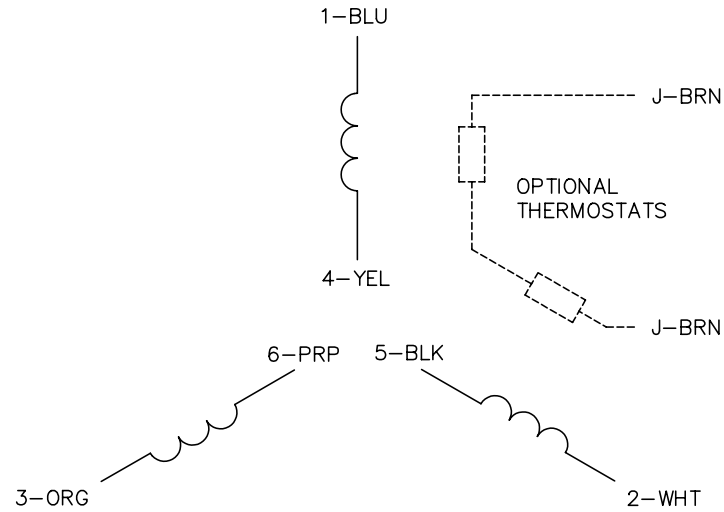
% of Rated Load	25	50	75	100	125	150	S.F.
Power Factor	42	64	74	83	82	83	82
Efficiency	89.9	93.3	93.6	93	92.2	91	92.5
Speed	1494	1488	1481	1474	1466	1457	1469
Line amperes	21.5	27.2	35.2	42.1	53	63.9	48.6

Performance Graph at 400V, 50Hz, 30.0HP Typical performance - Not guaranteed values

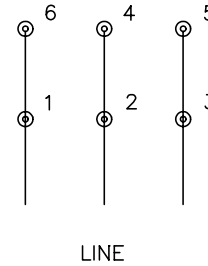




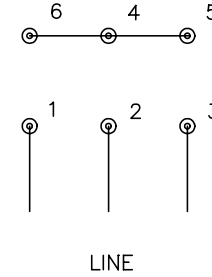
CD0382



RUN CONNECTION (1D)



START CONNECTION (1Y)



NOTES:

1. INTERCHANGE ANY TWO LINE LEADS TO REVERSE ROTATION.
2. OPTIONAL THERMOSTATS ARE PROVIDED WHEN SPECIFIED.
3. ACTUAL NUMBER OF INTERNAL PARALLEL CIRCUITS MAY BE A MULTIPLE OF THOSE SHOWN ABOVE.
4. LEAD COLORS ARE OPTIONAL. LEADS MUST ALWAYS BE NUMBERED AS SHOWN.
5. FOR ACROSS-THE-LINE STARTING, USE 'RUN' CONNECTION.

REV. DESC: ADD NOTE 5 FOR DOL STARTING			
REV. LTR: E	BY: JLP	REVISED: 11/30/00 2:26	TDR: 0226155
CD0382		FILE: AAA00005243	REF: -
		MTL: -	

**BALDOR ELECTRIC Co.**

3PH, SV, 6 LEADS, Y START/D RUN

CD0382