

BALDOR® • RELIANCE

Product Information Packet

EM4410T-5

125HP, 1785RPM, 3PH, 60HZ, 444T, A44076M, TEFC

Part Detail							
Revision:	E	Status:	PRD/A	Change #:		Proprietary:	No
Type:	AC	Prod. Type:	A44076M	Elec. Spec:	A44WG3904	CD Diagram:	416820-036
Enclosure:	TEFC	Mfg Plant:		Mech. Spec:		Layout:	617427-001
Frame:	444T	Mounting:	F1	Poles:	04	Created Date:	08-13-2012
Base:		Rotation:	R	Insulation:	F	Eff. Date:	09-26-2016
Leads:	3#1					Replaced By:	
Literature:		Elec. Diagram:					

Nameplate NP2383L									
CAT.NO.	EM4410T-5			SPEC NO.	P44G3903				
HP	125	AMPS	115	VOLTS	575	DESIGN	B		
FRAME	444T	RPM	1785	HZ	60	AMB	40	SF	1.15
DRIVE END BEARING	90BC03J30X		PHASE	3	DUTY	CONT		INSUL.CLASS	F
OPP D.E. BEARING	90BC03J30X		TYPE	P	ENCL	TEFC	CODE	G	
SER.NO.				POWER FACTOR	85	NEMA-NOM-EFFICIENCY	95.4		
NEMA NOM/CSA QUOTED EFF				MAX CORR KVAR	27.0	GUARANTEED EFFICIENCY	94.5		
				MOTOR WEIGHT	1669				

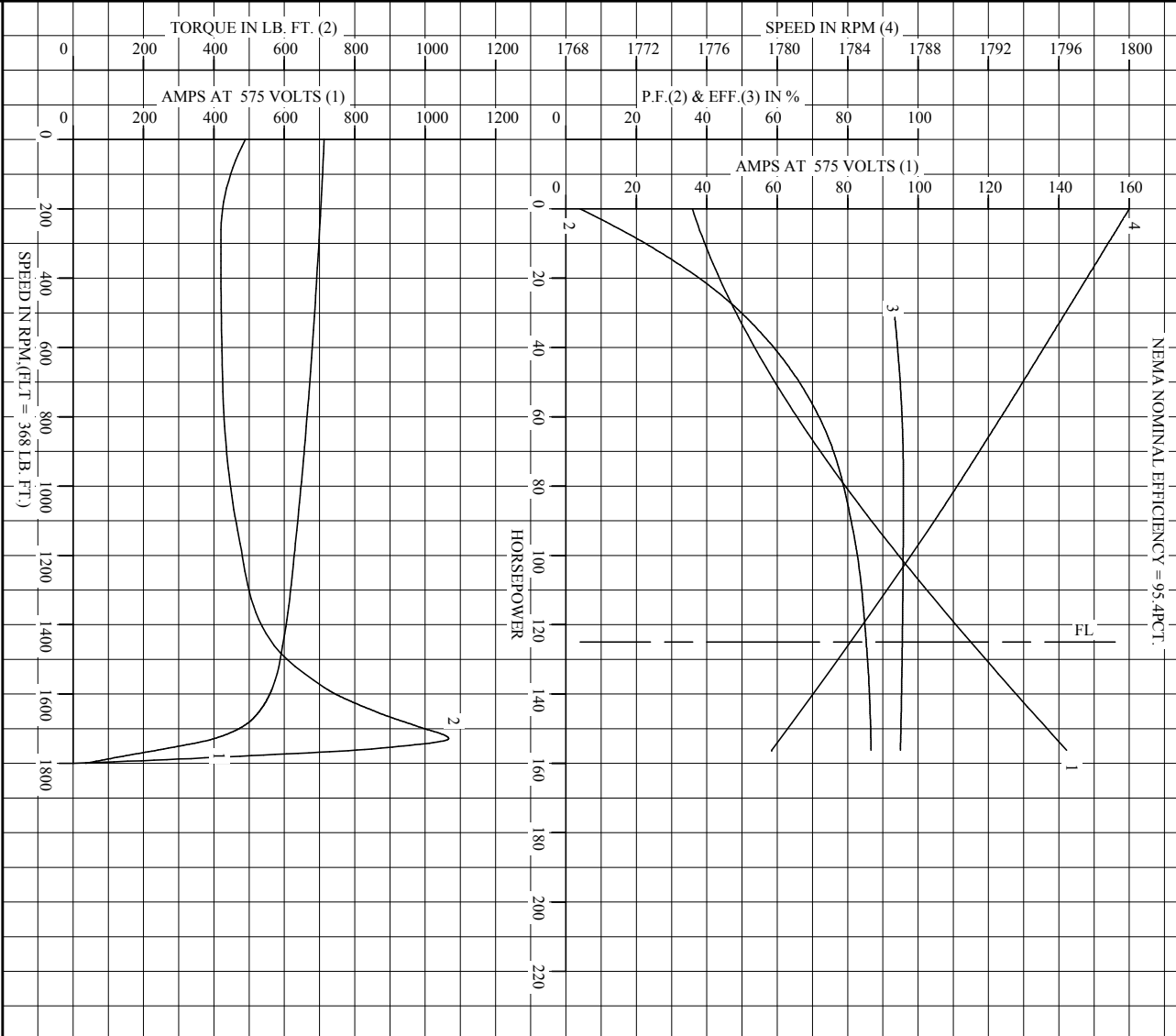
Parts List		
Part Number	Description	Quantity
SA249398	SA P44G3903	1.000 EA
RA236263	RA P44G3903	1.000 EA
421948051	LABEL, MYLAR	1.000 EA
000613006PU	N/P (RELEASE QTY 10,000) UL CSA LABEL	1.000 EA
000692000VD	LABEL WARNING	1.000 EA
NP2383L	SUPER-E ,SS, CC, CSA-C US, CSA EEV	1.000 EA
089490099A	G28 BRKT 089490098WCA KB	1.000 EA
415072001B	CLAMP	1.000 EA
083199126RA	G28 MOLDED FAN COVER W/BAFFLE ASSEMBLY	1.000 EA
034180014DA	KEY 1/4X1/4X1-3/4 L	1.000 EA
078548001R	FAN KB 234/150 (84) 400	1.000 EA
004824015A	GREASE POLYREX EM	1.160 LB
032018020FK	HHCS 3/4-10X2-1/2 PLTD.	4.000 EA
032018008CK	HHCS 3/8-16X1L PLATED	4.000 EA
032018036DK	HHCS 1/2-13X4-1/2 PLTD.	3.000 EA
415096002A	CPLG 1/8 HEX TYPE	1.000 EA
410700004A	WSHR	1.000 EA
034017014AB	LCKW 3/8 STD. PLATED	4.000 EA
034530072AB	P/NIP 1/8X9"L Threaded both ends	1.000 EA
034692001AB	HCSPP 1/8" PLATED	1.000 EA
089490099A	G28 BRKT 089490098WCA KB	1.000 EA
032018020FK	HHCS 3/4-10X2-1/2 PLTD.	4.000 EA
032018030DK	HHCS 1/2-13X3-3/4 PLTD.	3.000 EA
702658001A	CONDUIT BOX, E440	1.000 EA

Parts List (continued)		
Part Number	Description	Quantity
702658002A	+C/BOX CVR, PAINTED 440	1.000 EA
415915007G	GASK, LAC	1.000 FT
406056008A	GASKET, TERBD 440	1.000 EA
418153001A	GASK 440	1.000 EA
032018008DK	HHCS 1/2-13X1 PLATED	4.000 EA
415000103D	T/LUG #4AWG-1/0AWG W/HOLE FOR .250 BOLT	1.000 EA
033512006LB	HHTTS 1/4-20X3/4 PLTD.	8.000 EA
406099000A	PLUG - FAN COVER 320-440	1.000 EA
033512004LB	HHTTS 1/4-20X1/2 PLTD.	1.000 EA
MG1000Y03	MUNSELL 2.53Y 6.70/ 4.60, GLOSS 20,	0.250 GA
033775004EA	DRSCR #6-1/4 304 S.S.	2.000 EA
034180054KA	KEY 7/8X7/8X6-3/4 L	1.000 EA
035000001A	ALFTG 1/8" 1610-BL	1.000 EA
035000001A	ALFTG 1/8" 1610-BL	1.000 EA
034690002AB	"unbulked" PPLG 1/4" PLTD.	1.000 EA
034690005AB	PPLG 3/4 PLATED	2.000 EA
418151014G	RETAIN RING	1.000 EA
032018004BK	HHCS 5/16-18X1/2 PLATED	3.000 EA
034692001AB	HCSPP 1/8" PLATED	1.000 EA
415096002A	CPLG 1/8 HEX TYPE	1.000 EA
032018006BK	HHCS 5/16-18X3/4 PLATED	3.000 EA
702623013A	THERMAL BARRIER -- G28 -- BRACKET MTD	1.000 EA
034017013AB	LCKW 5/16 STD. PLATED	3.000 EA
034690002AB	"unbulked" PPLG 1/4" PLTD.	1.000 EA

Product Information Packet: EM4410T-5 - 125HP,1785RPM,3PH,60HZ,444T,A44076M,TEFC

034530044AB	P/NIP 1/8X5-1/2L GALV.	1.000 EA
032620016LA	SOCKET SET SCREW-449	3.000 EA
000692000FF	N/P	1.000 EA
PK5004A09	BASE 48 X 39-1/4 STACK 2 X 4 RUUNER	1.000 EA

REL. S.O. _____ RPM 1785 S.F. 1.15 ROTOR 418143052KE
 FRAME 445 VOLTS 575 NEMA DESIGN B TEST S.O. CALCULATED DATA
 HP 125 AMPS 115 CODE LETTER G TEST DATE ---
 TYPE P DUTY CONT ENCLOSURE TEFC STATOR RES. @ 25 °C .0599
 PHASE/HERTZ 3/60 AMB °C/INSUL 40/F E/S 498874 OHMS (BETWEEN LINES)



AMPERS SHOWN FOR 575 VOLT CONNECTION, IF OTHER VOLTAGE CONNECTIONS ARE AVAILABLE, THE AMPERS WILL VARY INVERSELY WITH THE RATED VOLTAGE.

BALDOR
 A MEMBER OF THE ABB GROUP

DR. BY C. JAMISON
 CK. BY W. SMITH
 APP. BY W. SMITH
 DATE 04/09/12

A-C MOTOR
PERFORMANCE
CURVES

A44WG304-R001
 ISSUE DATE 04/09/12

Printed on 4/9/12 8:52 @ ragsun

REL. S.O.	FRAME	HP	TYPE	PHASE/HERTZ	RPM	VOLTS
	445	125	P	3/60	1785	575
AMPS	DUTY	AMB °C/ INSUL.	S.F.	NEMA DESIGN	CODE LETTER	ENCL.
115	CONT	40/F	1.15	B	G	TEFC
E/S	ROTOR	TEST S.O.	TEST DATE	STATOR RES. @25 °C OHMS (BETWEEN LINES)		
498874	418143052KE	---	---	.0599		

PERFORMANCE


LOAD	HP	AMPERES	RPM	POWER FACTOR %	EFFICIENCY %
NO LOAD	0	35.8	1800	3.97	0
1/4	31.3	49.1	1796	51.1	93.4
2/4	62.5	67.1	1792	73.0	95.5
3/4	93.7	89.7	1788	81.7	95.8
4/4	125	115	1784	85.3	95.5
5/4	156	142	1780	86.6	95.0

SPEED TORQUE

	RPM	TORQUE % FULL LOAD	TORQUE LB.-FT.	AMPERES
LOCKED ROTOR	0	133	489	713
PULL UP	270	114	420	700
BREAKDOWN	1729	290	1067	400
FULL LOAD	1784	100	368	115

AMPERES SHOWN FOR 575. VOLT CONNECTION. IF OTHER VOLTAGE CONNECTIONS ARE AVAILABLE, THE AMPERES WILL VARY INVERSELY WITH THE RATED VOLTAGE

REMARKS: CALCULATED DATA
NEMA NOMINAL EFFICIENCY = 95.4PCT.

 A MEMBER OF THE ABB GROUP	DR. BY C. JAMISON CK. BY W. SMITH APP. BY W. SMITH DATE 04/09/12	A-C MOTOR PERFORMANCE DATA A44WG3904-R001 ISSUE DATE 04/09/12
--	---	--

617427-001

DUTY MASTER ALTERNATING CURRENT MOTORS

SQUIRREL-CAGE INDUCTION

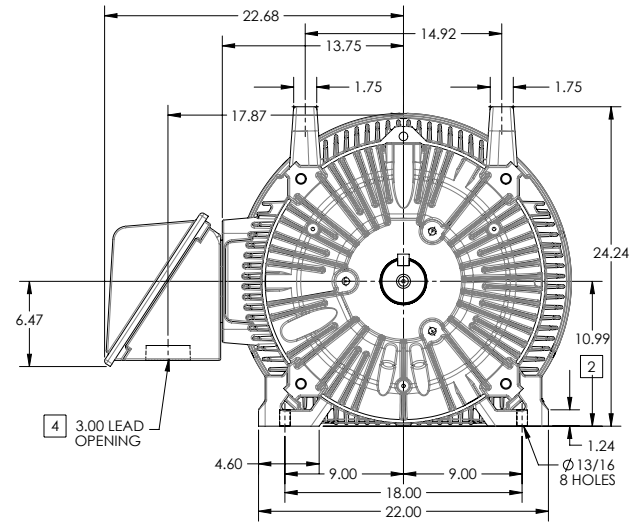
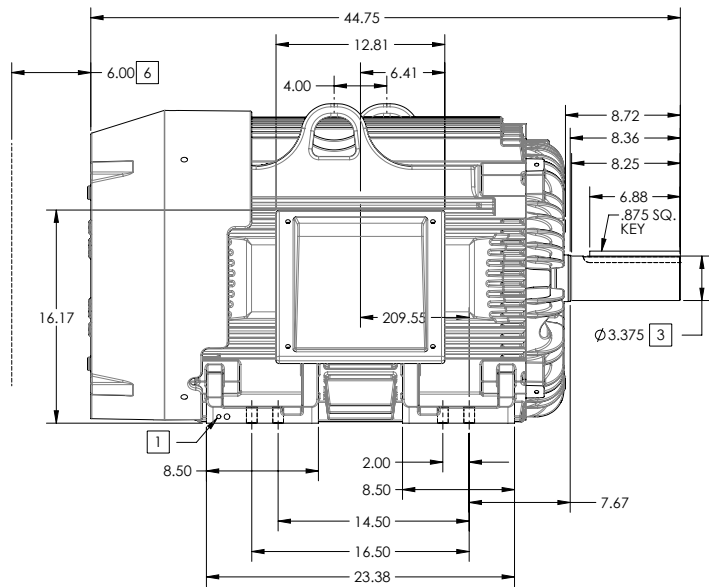
ENCLOSURE: TOTALLY ENCLOSED

FRAME G445T ABOVE NEMA RATINGS

COOLING: FAN COOLED

MOUNTING: FOOT

INCLUDES 444T FRAME MOUNTING HOLES



1. GROUND HOLES QTY 1 1/2-13 TAP; QTY 1 3/8-16 TAP
2. VARIES +.00,-.06
3. VARIES +.00,-.001
4. ON STANDARD MOTORS THIS IS CONDUIT SIZE. ON XT AND CORROSION PROOF MOTOR THIS IS PIPE TAP.
5. MOTOR WEIGHTS MAY VARY BY 15% DEPENDING ON RATING.
6. OBSTRUCTION MUST NOT ENCROACH ON AIR INLET

CONDUIT BOX LOCATED ON OPPOSITE SIDE WHEN F-2.
IF MOUNTING CLEARANCE DETAILS ARE REQUIRED, CONSULT FACTORY.
MAXIMUM PERMISSIBLE SHAFT RUNOUT WHEN MEASURED AT END OF STANDARD SHAFT EXTENSION IS .003" T.I.R. TO 5 INCH DIA.

[5] WEIGHT (LBS): 2130

DRIVE END AIR DEFLECTOR IS ONLY INCLUDED WHEN NECESSARY.

DIMENSIONS ARE IN INCHES; SEE SHEET 2 FOR DIMENSIONS IN MILLIMETERS

CUSTOMER IS RESPONSIBLE FOR DETERMINING THAT MOTOR PERFORMANCE IS SUITABLE IN THE APPLICATION.

SHEET NUMBER
1 OF 2

100-272119

REV. DESC SHEET 2 NEEDS METRIC FOOT HOLE DIMENSION			
REV: E	VERSION: 05	REVISED: 09-22-56 06/12/2014	TDR: 00000857938
MODEL NO. 617427-001			REF:
BY: RAGRA	Material:		

BALDOR

G445T444T STD - FOOTED - SIDE/CENTER CB

617427-001

617427-001

DUTY MASTER ALTERNATING CURRENT MOTORS

SQUIRREL-CAGE INDUCTION

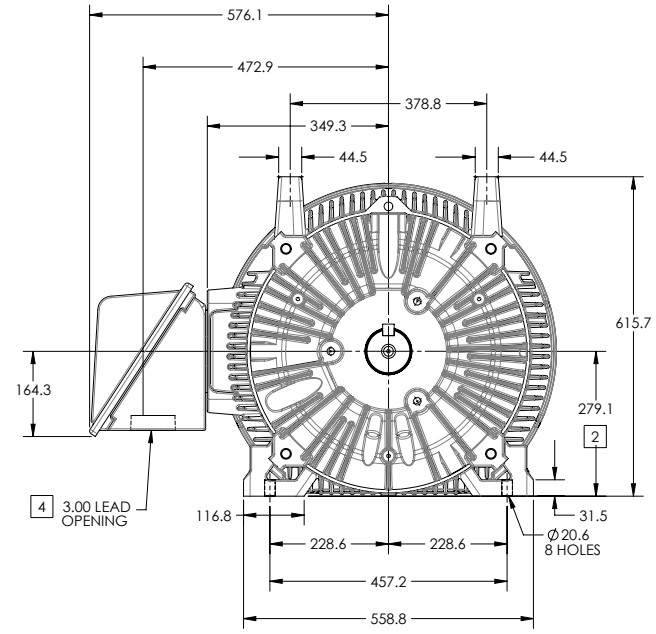
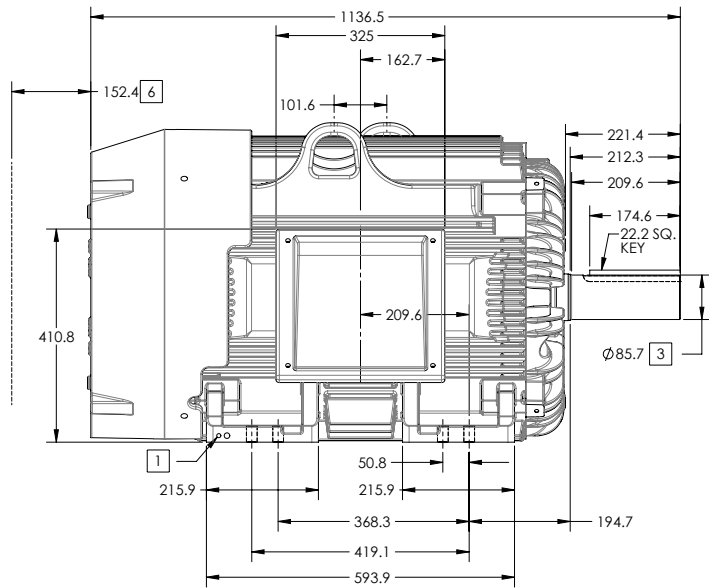
ENCLOSURE: TOTALLY ENCLOSED

FRAME G445T ABOVE NEMA RATINGS

COOLING: FAN COOLED

MOUNTING: FOOT

INCLUDES 444T FRAME MOUNTING HOLES



1. GROUND HOLES QTY 1 1/2-13 TAP; QTY 1 3/8-16 TAP
2. VARIES +0,-1.5
3. VARIES +.00,-.03
4. ON STANDARD MOTORS THIS IS CONDUIT SIZE. ON XT AND CORROSION PROOF MOTOR THIS IS PIPE TAP.
5. MOTOR WEIGHTS MAY VARY BY 15% DEPENDING ON RATING.
6. OBSTRUCTION MUST NOT ENCROACH ON AIR INLET

[5] WEIGHT (KGS): 970

DRIVE END AIR DEFLECTOR IS ONLY INCLUDED WHEN NECESSARY.

DIMENSIONS ARE IN MILLIMETERS; SEE SHEET 1 FOR DIMENSIONS IN INCHES

CUSTOMER IS RESPONSIBLE FOR DETERMINING THAT MOTOR PERFORMANCE IS SUITABLE IN THE APPLICATION.

CONDUIT BOX LOCATED ON OPPOSITE SIDE WHEN F-2.
IF MOUNTING CLEARANCE DETAILS ARE REQUIRED, CONSULT FACTORY.
MAXIMUM PERMISSIBLE SHAFT RUNOUT WHEN MEASURED AT END OF
STANDARD SHAFT EXTENSION IS .08 MM T.I.R. TO 127 MM DIA.

SHEET NUMBER
2 OF 2

100-227219

REV. DESC SHEET 2 NEEDS METRIC FOOT HOLE DIMENSION			
REV: E	VERSION: 05	REVISED: 09-22-56 06/12/2014	TDR: 00000857938
MODEL NO. 617427-001		REF:	
BY: RAGRA	Material:	C	

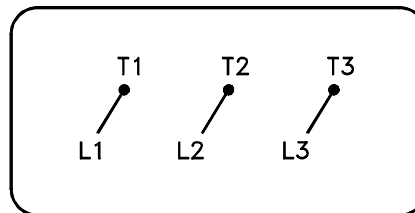
BALDOR

G445T444T STD - FOOTED - SIDE/CENTER CB

617427-001

416820-036

A-C MOTOR
 CONNECTION DIAGRAM
 STANDARD 3 LEAD CONNECTED



(N.P. 1575-BA)

416820-036

REV. DESC: LOADED TO BUS, C/R 335225		
REV. LTR: -	VERSION: 00	TDR: 000000538207
FILE: \MGA\00000\682	REVISED: 11:54:06 04/30/2010	
MTL: -	BY: RAGRA	

BALDOR

CONN DIAG - STANDARD 3 LEAD

SH 1 of 1