

BALDOR® • RELIANCE

Product Information Packet

EM7020T-I

1.5//1HP,1165//970 75C RISERPM,3PH,60//5

Part Detail							
Revision:	K	Status:	PRD/A	Change #:		Proprietary:	No
Type:	AC	Prod. Type:	3632M	Elec. Spec:	36WGS916	CD Diagram:	CD0005
Enclosure:	XPFC	Mfg Plant:		Mech. Spec:	36J694	Layout:	36LYJ694
Frame:	182T	Mounting:	F1	Poles:	06	Created Date:	05-16-2012
Base:	RG	Rotation:	R	Insulation:	F	Eff. Date:	12-29-2016
Leads:	9#16					Replaced By:	
Literature:		Elec. Diagram:					

Nameplate NP0977XPSL			
NO.		CC	010A
SER.		TEMP CODE	T3C
SPEC.	36J694S916G1		
CAT.NO.	EM7020T-I		
HP	1.5//1		
VOLTS	230/460//190/380		
AMPS	4.8/2.4//4.2/2.1		
RPM	1165//970 75C RISE	MOTOR WEIGHT	108
HERTZ	60//50	PH 3	CL F
SER.F.	1.15	DE BRG	6206
FRAME	182T	ODE BRG	6205
RATING	40C AMB-CONT	GREASE	POLYREX EM
USABLE AT 208V		NEMA-NOM-EFF	87.5
	NEMA MG-1 PT 5,IP55	PF	67

Parts List		
Part Number	Description	Quantity
SA245063	SA 36J694S916G1	1.000 EA
RA231950	RA 36J694S916G1	1.000 EA
36FN3000C01	EXFN, PLASTIC, 5.25 OD, .912 ID	1.000 EA
35CB1005A01	CONDUIT BOX,MACH - GROUP "C" MTRS	1.000 EA
06EP1709A05	FRONT XPFC 205 BRG GRP C W/ DRAIN (HW450	1.000 EA
HW4500A19	1/4-28X1/4 SLOTTED PLUG F/S	2.000 EA
HW4506A02	BREATHER/DRAIN-EXP PROOF-.125-27 NPTF AI	1.000 EA
HW3022E05	.125 DIA X .500 ROLLED SPRING PIN	1.000 EA
HW5100A05	WVY WSHR F/205 & 304 BRGS	1.000 EA
36EP1718A03	36 PU EP XPFC 206 BRG W/METAL SLINGER	1.000 EA
HW4500A19	1/4-28X1/4 SLOTTED PLUG F/S	2.000 EA
HW4506A02	BREATHER/DRAIN-EXP PROOF-.125-27 NPTF AI	1.000 EA
HW3022E05	.125 DIA X .500 ROLLED SPRING PIN	1.000 EA
XY3816A12	3/8-16 FINISHED NUT	4.000 EA
36FH3003A05	FAN COVER XP W/(2) GRSR HOLES, DRAIN	1.000 EA
51XF1032A10	SCREW, HX WS HD SER, ZN	4.000 EA
35CB1501A01	CONDUIT BOX LID, MACH. - GROUP "C" MTRS	1.000 EA
RM1020A41	O-RING, -150 BUNA-N, .103 CS X 2.862 ID	1.000 EA
HA2065A01	SLINGER, ALUM (AUTO)	1.000 EA
80XN1032A07	SET SCREW, HEX XOCK, ZN	1.000 EA
HW2501E16	3KEY, 1/4 SQ X 1.750	1.000 EA
HA7000A02	KEY RETAINER RING, 1 1/8 DIA, 1 3/8 DIA	1.000 EA
85XU0407S04	4X1/4 U DRIVE PIN STAINLESS	6.000 EA
LB1359F	ALUM XP CAUTION LABEL	1.000 EA

Parts List (continued)		
Part Number	Description	Quantity
MJ1000A02	GREASE, POLYREX EM EXXON (USe 4824-15A)	0.050 LB
51XB1214A16	12-14X1.00 HXWSSLD SERTYB	1.000 EA
MG1025G29	WILKOFASST, 789.229, DARK CHARCOAL GRAY	0.022 GA
HA3105A09	THRUBOLT 3/8-16 X 12.000	4.000 EA
LB1119N	WARNING LABEL	1.000 EA
LC0145B01	CONNECTION LABEL	1.000 EA
NP0977XPSL	SS XP UL CSA CC CL-I GP-C&D	1.000 EA
G0PA1000	PKG GRP, PRINT PK1026A06	1.000 EA
MN416A01	TAG-INSTAL-MAINT no wire (1000/bx) 11/14	1.000 EA

AC Induction Motor Performance Data

Record # 38402 - Typical performance - not guaranteed values

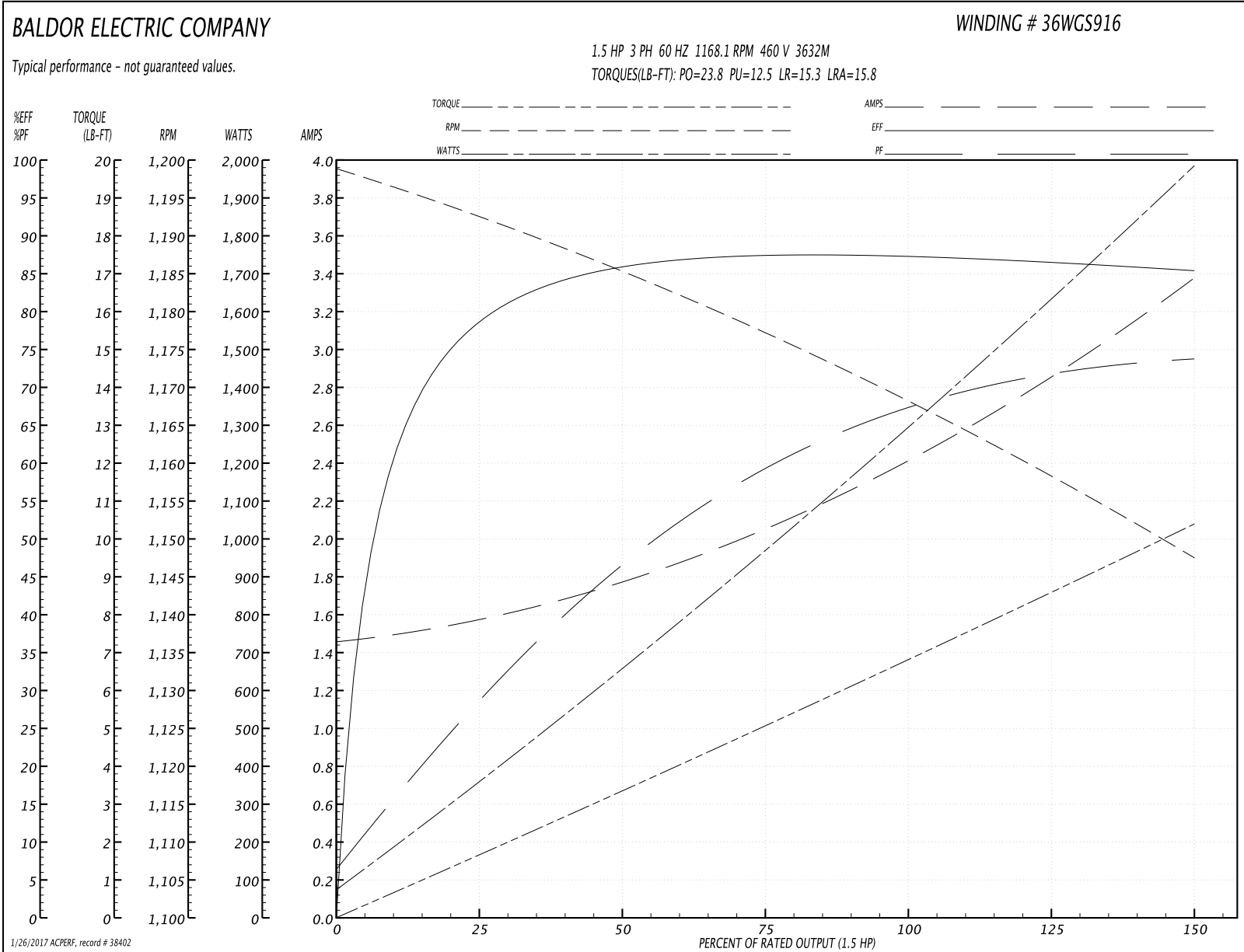
Winding: 36WGS916-R003	Type: 3632M	Enclosure: XPFC
-------------------------------	--------------------	------------------------

Nameplate Data				460 V, 60 Hz: High Voltage Connection	
Rated Output (HP)	1.5//1			Full Load Torque	6.86 LB-FT
Volts	230/460//190/380			Start Configuration	direct on line
Full Load Amps	4.8/2.4//4.2/2.1			Breakdown Torque	23.8 LB-FT
R.P.M.	1165//970			Pull-up Torque	12.5 LB-FT
Hz	60//50	Phase	3	Locked-rotor Torque	15.3 LB-FT
NEMA Design Code	B	KVA Code	K	Starting Current	15.8 A
Service Factor (S.F.)	1.15			No-load Current	1.47 A
NEMA Nom. Eff.	87.5	Power Factor	67	Line-line Res. @ 25°C	7.3716 Ω
Rating - Duty	40C AMB-CONT			Temp. Rise @ Rated Load	34°C
S.F. Amps				Temp. Rise @ S.F. Load	41°C
				Locked-rotor Power Factor	30
				Rotor inertia	0.301 LB-FT ²

Load Characteristics 460 V, 60 Hz, 1.5 HP

% of Rated Load	25	50	75	100	125	150	S.F.
Power Factor	30	48	59	67	71	74	69
Efficiency	79.1	86	87.5	87.5	86.5	85.2	86.9
Speed	1192.2	1184.8	1176.8	1168.1	1158.2	1147.5	1162
Line amperes	1.57	1.77	2.07	2.43	2.88	3.36	2.7

Performance Graph at 460V, 60Hz, 1.5HP Typical performance - Not guaranteed values



AC Induction Motor Performance Data

Record # 38405 - Typical performance - not guaranteed values

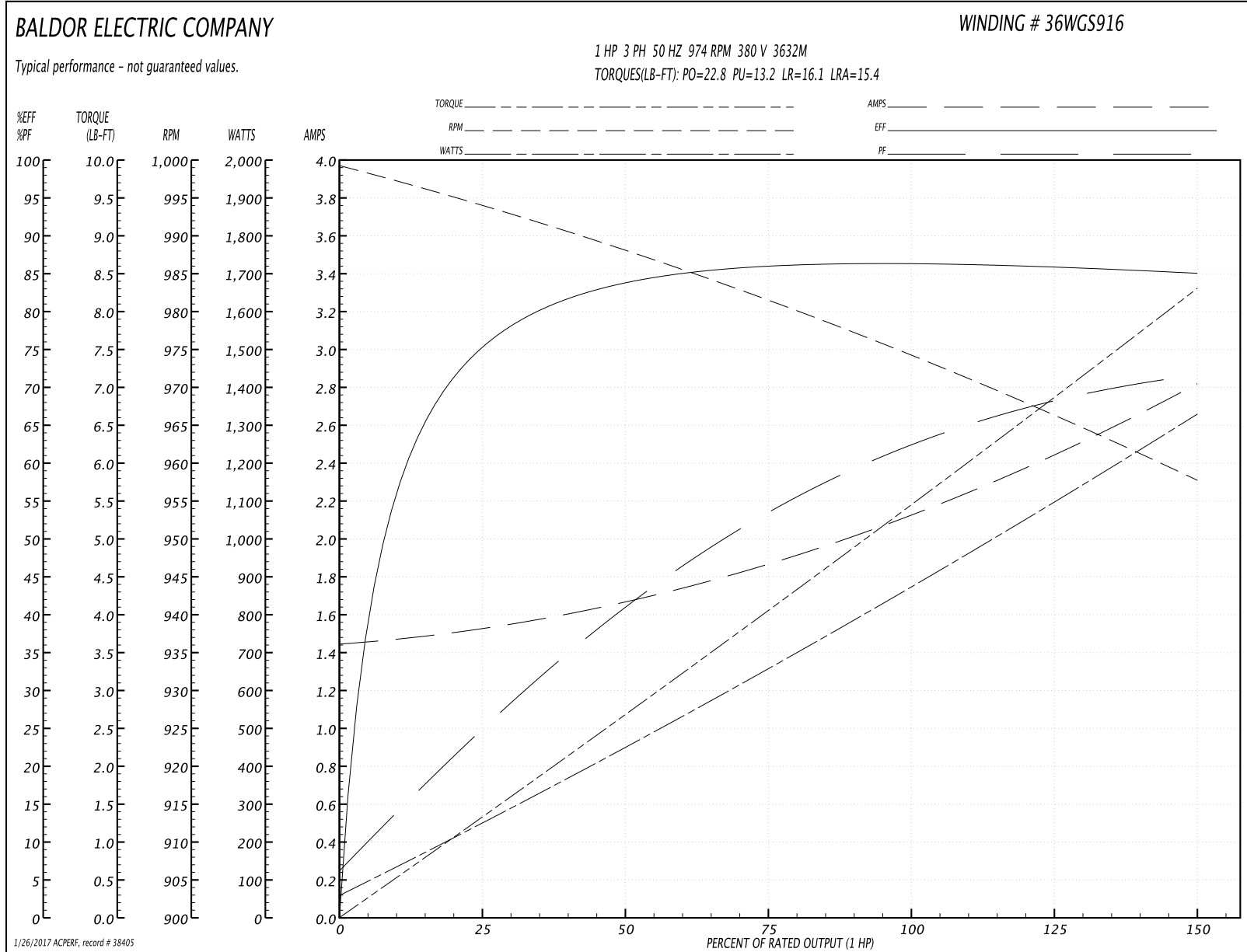
Winding: 36WGS916-R003	Type: 3632M	Enclosure: XPFC
-------------------------------	--------------------	------------------------

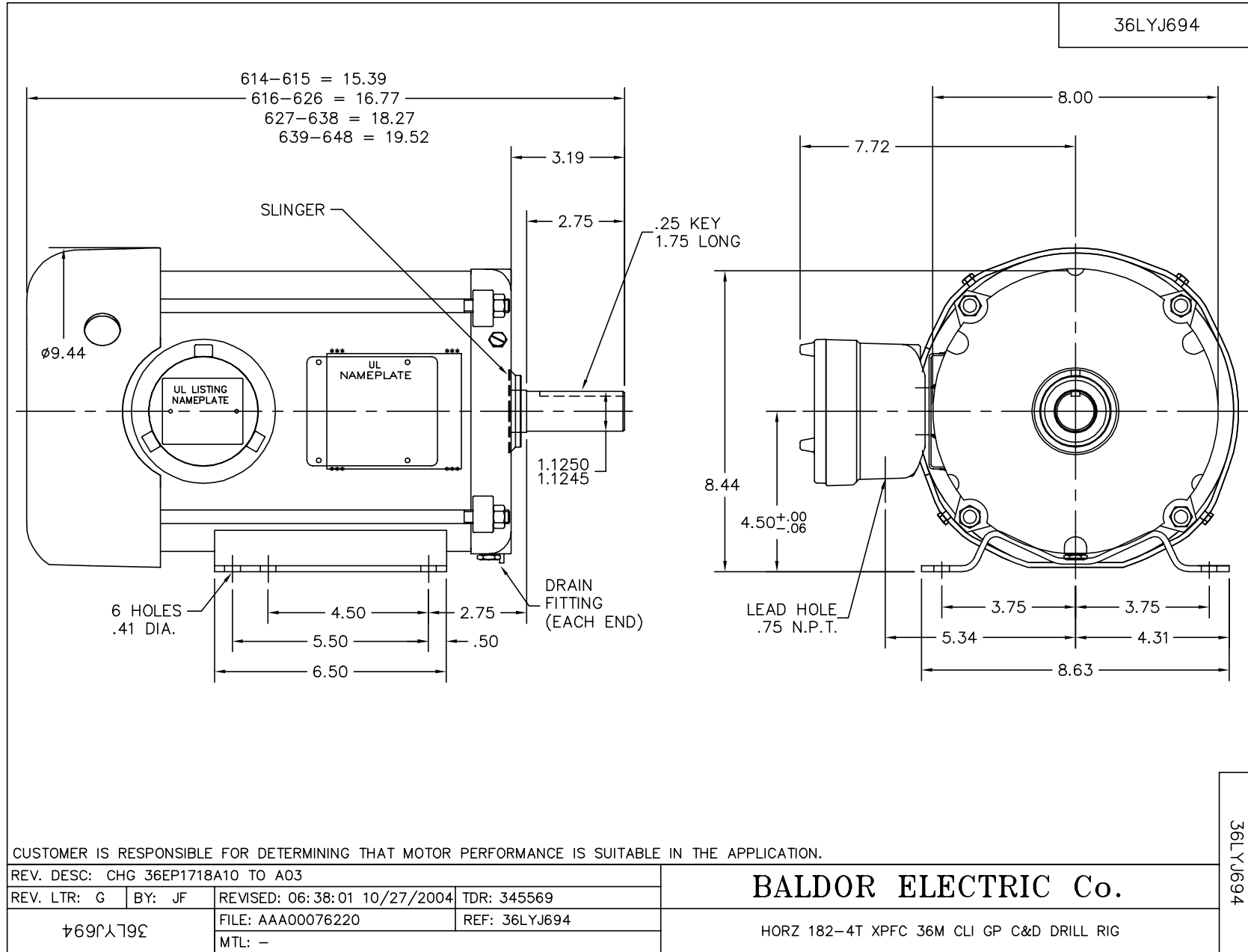
Nameplate Data				380 V, 50 Hz: High Voltage Connection	
Rated Output (HP)	1.5//1			Full Load Torque	5.48 LB-FT
Volts	230/460//190/380			Start Configuration	direct on line
Full Load Amps	4.8/2.4//4.2/2.1			Breakdown Torque	22.8 LB-FT
R.P.M.	1165//970			Pull-up Torque	13.2 LB-FT
Hz	60//50	Phase	3	Locked-rotor Torque	16.1 LB-FT
NEMA Design Code	B	KVA Code	K	Starting Current	15.4 A
Service Factor (S.F.)	1.15			No-load Current	1.45 A
NEMA Nom. Eff.	87.5	Power Factor	67	Line-line Res. @ 25°C	7.12 Ω
Rating - Duty	40C AMB-CONT			Temp. Rise @ Rated Load	27°C
S.F. Amps				Temp. Rise @ S.F. Load	32°C
				Locked-rotor Power Factor	34
				Rotor inertia	0.301 LB-FT ²

Load Characteristics 380 V, 50 Hz, 1 HP

% of Rated Load	25	50	75	100	125	150	S.F.
Power Factor	26	42	54	63	68	72	66
Efficiency	75.7	83.8	86.2	86.5	85.9	85.1	86.1
Speed	994	988	981	974	966	958	969
Line amperes	1.53	1.67	1.88	2.13	2.46	2.81	2.33

Performance Graph at 380V, 50Hz, 1.0HP Typical performance - Not guaranteed values





CD0005



LOW VOLTAGE
(2Y)



LINE

HIGH VOLTAGE
(1Y)



LINE

NOTES:

1. INTERCHANGE ANY TWO LINE LEADS TO REVERSE ROTATION.
2. OPTIONAL THERMOSTATS ARE PROVIDED WHEN SPECIFIED.
3. ACTUAL NUMBER OF INTERNAL PARALLEL CIRCUITS MAY BE A MULTIPLE OF THOSE SHOWN ABOVE.
4. LEAD COLORS ARE OPTIONAL. LEADS MUST ALWAYS BE NUMBERED AS SHOWN.

REV. DESC: REVISE TO SHOW OPTIONAL COLORS			
REV. LTR: E	BY: JLP	REVISED: 01/19/99 10:15	TDR: 0171435
90000		FILE: AAA00005140	MDL: -
		MTL: -	

BALDOR ELECTRIC Co.

3PH, DV, 9 LEADS

CD0005