

# **BALDOR**® • *RELIANCE*

## Product Information Packet

### **EM7047T-5**

**7.5HP,1770RPM,3PH,60HZ,213T,3738M,XPFC,F**

Part Detail							
Revision:	A	Status:	PRD/A	Change #:		Proprietary:	No
Type:	AC	Prod. Type:	3738M	Elec. Spec:	37WGR907	CD Diagram:	CD0006
Enclosure:	XPFC	Mfg Plant:		Mech. Spec:	37H239	Layout:	37LYH239
Frame:	213T	Mounting:	F1	Poles:	04	Created Date:	12-10-2015
Base:	RG	Rotation:	R	Insulation:	B	Eff. Date:	01-19-2017
Leads:	3#14					Replaced By:	
Literature:		Elec. Diagram:					

Nameplate NP1426XPSLEV	
NO.	<input type="text"/> CC 010A
SER.	<input type="text"/>
SPEC.	37H239R907G1
CAT.NO.	EM7047T-5
HP	7.5 T. CODE T3C
VOLTS	575
AMPS	7.6
RPM	1770
HZ	60 PH 3 CL B
SER.F.	1.00 DES A CODE J
RATING	40C AMB-CONT
FRAME	213T NEMA-NOM-EFF 91.7
USABLE AT 208V	PF 82
BLANK	<input type="text"/>

Parts List		
Part Number	Description	Quantity
SA311799	SA 37H239R907G1	1.000 EA
RA299232	RA 37H239R907G1	1.000 EA
37FN3002C01	EXFN, PLASTIC, 6.00 OD, 1.155 ID	1.000 EA
35CB3001A02SP	EXPL PROOF CONDUIT BOX, 3/4"PIPE TAP LEA	1.000 EA
11XW1032G06	10-32 X .38, TAPTITE II, HEX WSHR SLTD U	1.000 EA
HW3001B01	BRASS CUP WASHER, FOR #8 SCREW	1.000 EA
37EP1102A01	STD FR EP, XPFC	1.000 EA
HW4500A19	1/4-28X1/4 SLOTTED PLUG F/S	2.000 EA
HW5100A06	W2420-025 WVY WSHR (WB)	1.000 EA
37EP1701A02	PU ENDPLATE,TEFC, 1 FAN, W/GREASER, MACH	1.000 EA
HW4500A19	1/4-28X1/4 SLOTTED PLUG F/S	2.000 EA
XY5013A12	NUT,1/2-13,HEX,STEEL,ZINCPLATED	4.000 EA
37FH2000A01SP	STD XPROOF FAN COVER	1.000 EA
10XN2520A12	O1/4-20X 3/4 HEX HEAD CAP	4.000 EA
HW1001A25	LOCKWASHER 1/4, ZINC PLT .493 OD, .255 I	4.000 EA
35CB3500A01SP	CONDUIT BOX LID, MACH	1.000 EA
51XN2520A16	SCREW, HEX WS SLT, ZN, 1/4-20 X 1.00	4.000 EA
HW2501F21	KEY, 5/16 SQ X 2.375	1.000 EA
HA7000A02	KEY RETAINER RING, 1 1/8 DIA, 1 3/8 DIA	1.000 EA
85XU0407S04	4X1/4 U DRIVE PIN STAINLESS	6.000 EA
LB1115N	LABEL,LIFTING DEVICE (ON ROLLS)	1.000 EA
NP0018F	ALUM UL XP CONDUIT BOX NAMEPLATE	1.000 EA
MJ1000A02	GREASE, POLYREX EM EXXON (USe 4824-15A)	0.050 LB
51XB1214A20	12-14X1.25 HXWSSLD SERTYB	1.000 EA

<b>Parts List (continued)</b>		
<b>Part Number</b>	<b>Description</b>	<b>Quantity</b>
XY2520A12	1/4-20 HEX NUT, DIRECTIONAL SERRATIONS	1.000 EA
MG1025G29	WILKOFASST, 789.229, DARK CHARCOAL GRAY	0.028 GA
HA3106A04	THRUBOLT- 1/2-13 X 12.625	4.000 EA
LB1119N	WARNING LABEL	1.000 EA
LC0006	CONNECTION LABEL	1.000 EA
NP1426XPSLEV	SS XP UL CSA-EEV CC CL-I GP-D	1.000 EA
37PA1039	PALLET PACK GRP, PRINT PK1026A06	1.000 EA
MN416A01	TAG-INSTAL-MAINT no wire (1000/bx) 11/14	1.000 EA

**AC Induction Motor Performance Data**

Record # 54150 - Typical performance - not guaranteed values

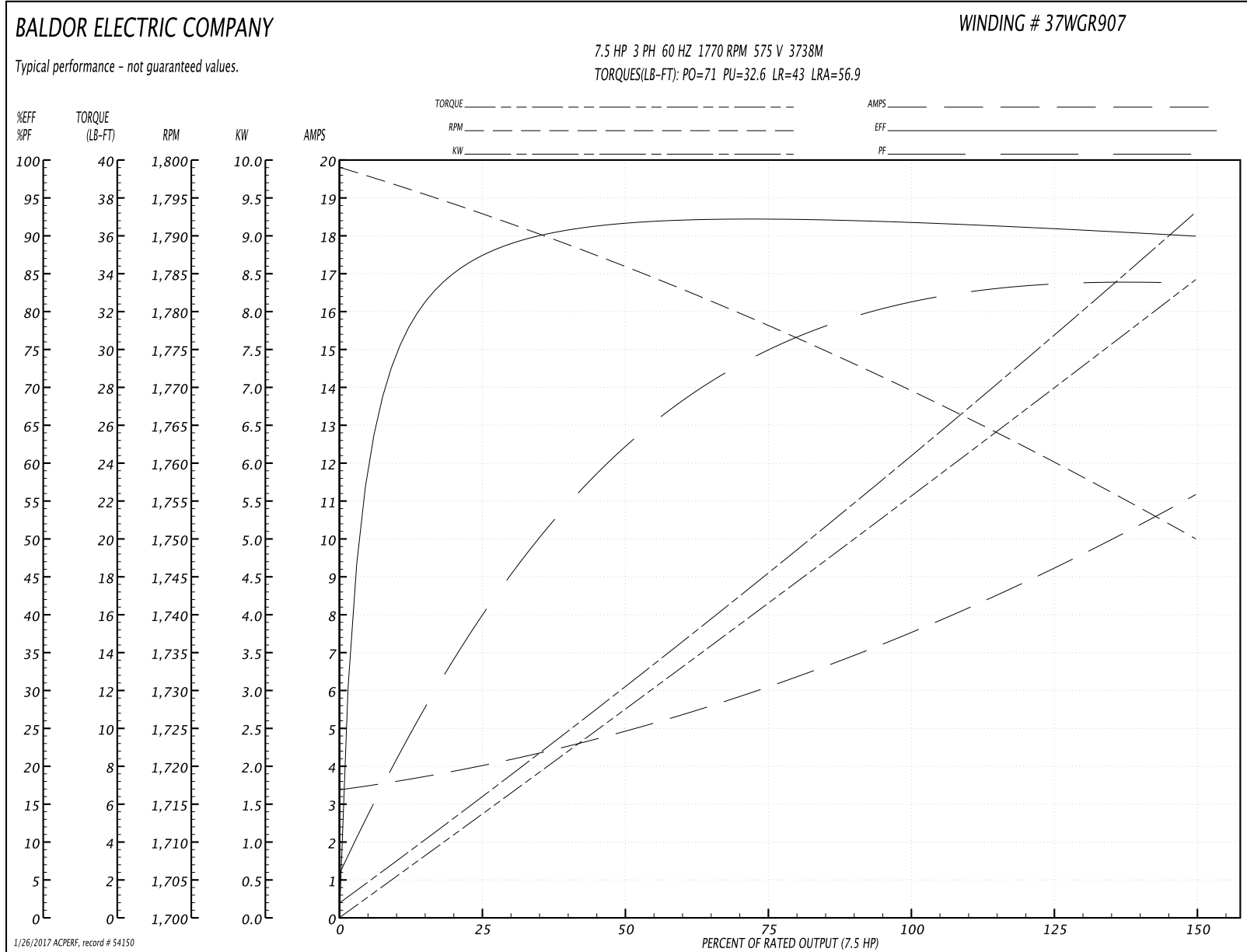
<b>Winding:</b> 37WGR907-R001	<b>Type:</b> 3738M	<b>Enclosure:</b> XPFC
-------------------------------	--------------------	------------------------

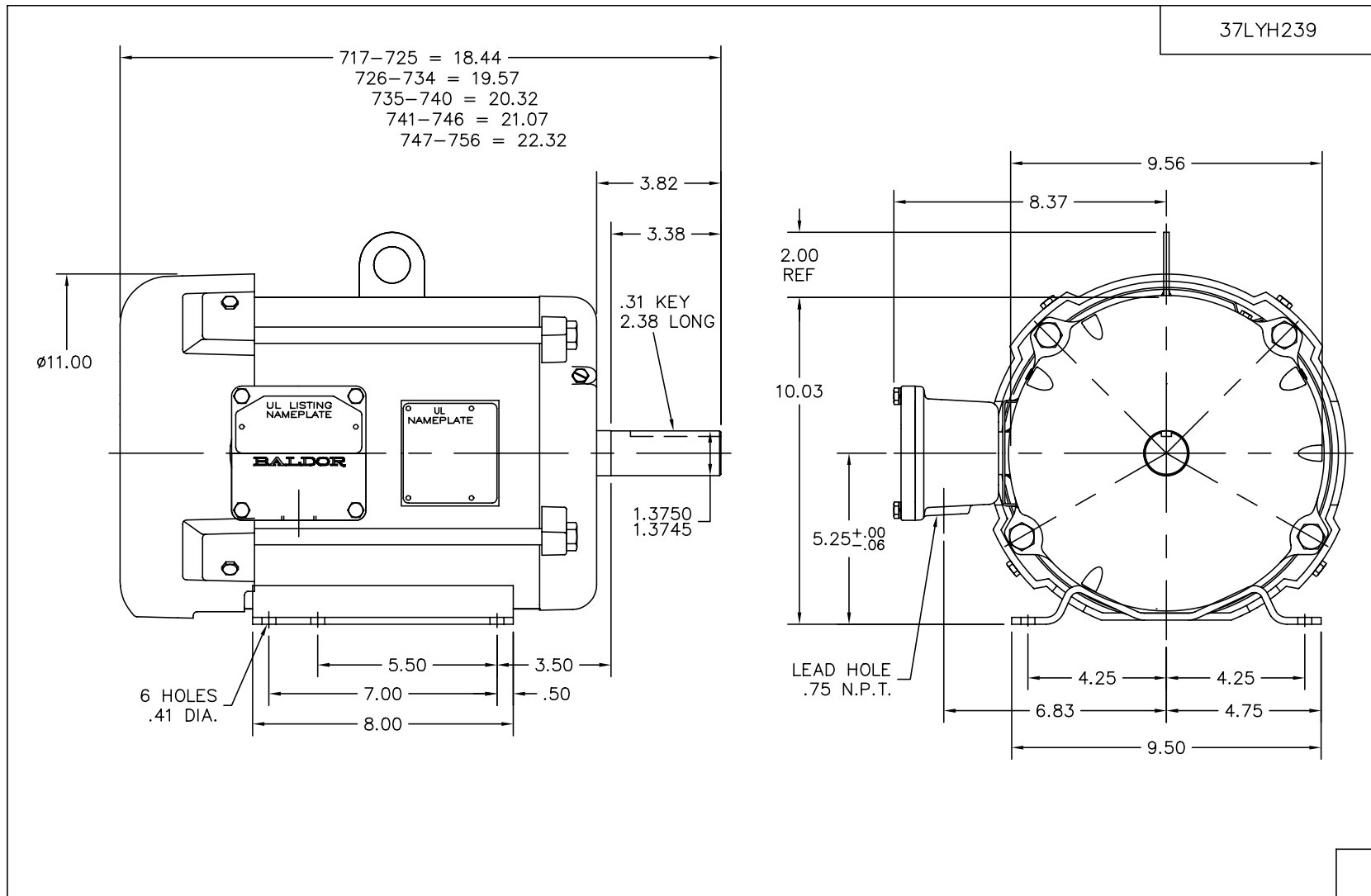
Nameplate Data				575 V, 60 Hz: Single Voltage Motor	
Rated Output (HP)	7.5			Full Load Torque	22.2 LB-FT
Volts	575			Start Configuration	direct on line
Full Load Amps	7.6			Breakdown Torque	71 LB-FT
R.P.M.	1770			Pull-up Torque	32.6 LB-FT
Hz	60	Phase	3	Locked-rotor Torque	43 LB-FT
NEMA Design Code	A	KVA Code	J	Starting Current	56.9 A
Service Factor (S.F.)	1			No-load Current	3.48 A
NEMA Nom. Eff.	91.7	Power Factor	82	Line-line Res. @ 25°C	2.22 Ω
Rating - Duty	40C AMB-CONT			Temp. Rise @ Rated Load	63°C
				Locked-rotor Power Factor	37.3
				Rotor inertia	0.934 LB-FT <sup>2</sup>

Load Characteristics 575 V, 60 Hz, 7.5 HP

% of Rated Load	25	50	75	100	125	150
Power Factor	42	63	75	80	83	84
Efficiency	87.1	91.7	91.9	92.1	91	89.9
Speed	1793	1786	1778	1770	1760	1750
Line amperes	3.9	4.84	6.1	7.61	9.29	11.1

Performance Graph at 575V, 60Hz, 7.5HP Typical performance - Not guaranteed values





CUST. NAME		CUST. P.O.		CERTIFIED BY		MODEL		INSUL		AMB	
H.P.		MTG		TYPE		R.P.M.		VOLTS		ENCL	
PHASE		FREQ		FRAME							
REV. DESC: NEW											
REV. LTR: -		BY: SLK		REVISED: 09/13/99 11:47		TDR: 0189039		<b>BALDOR ELECTRIC Co.</b>			
6Ω2HΛ7Σ		FILE: AAA00068145		MDL: -							
MTL: -						HOR 213-5T XPFC M EPACK STACKS, DUAL CLASS					

37LYH239

CD0006



NOTES:

1. THREE LEAD MOTOR MAY BE EITHER WYE CONNECTED OR DELTA CONNECTED.
2. INTERCHANGE ANY TWO LINE LEADS TO REVERSE ROTATION.
3. OPTIONAL THERMOSTATS ARE PROVIDED WHEN SPECIFIED.
4. ACTUAL NUMBER OF INTERNAL PARALLEL CIRCUITS MAY VARY.
5. LEAD COLORS ARE OPTIONAL. LEADS MUST BE NUMBERED AS SHOWN.

REV. DESC: REVISE TO SHOW OPTIONAL COLORS			
REV. LTR: D	BY: JLP	REVISED: 01/21/99 4:02	TDR: 0171435
9000D		FILE: AAA00005141	MDL: -
		MTL: -	

**BALDOR ELECTRIC Co.**

3PH, SV, 3 LEADS, WYE OR DELTA CONNECTED

CD0006