

BALDOR® • RELIANCE

Product Information Packet

EM7054T-C

15//10HP,1765//1470RPM,3PH,60//50HZ,254T

Part Detail							
Revision:	B	Status:	PRD/A	Change #:		Proprietary:	No
Type:	AC	Prod. Type:	0944M	Elec. Spec:	09WGZ910	CD Diagram:	CD0005
Enclosure:	XPFC	Mfg Plant:		Mech. Spec:	09F101	Layout:	09LYF101
Frame:	254T	Mounting:	F1	Poles:	04	Created Date:	06-03-2015
Base:	RG	Rotation:	R	Insulation:	B	Eff. Date:	06-06-2016
Leads:	9#12					Replaced By:	
Literature:		Elec. Diagram:					

Nameplate NP0978XPSL										
NO.							CC	010A		
SER.							TEMP CODE	T4		
SPEC.	09F101Z910G1									
CAT.NO.	EM7054T-C									
HP	15//10									
VOLTS	230/460//190/380									
AMPS	36.2/18.1//30.4/15.2									
RPM	1765//1470						MOTOR WEIGHT	373		
HERTZ	60//50			PH	3	CL	B	DE BRG	6309	
SER.F.	1.00			DES	A	CODE	H	ODE BRG	6208	
FRAME	254T			GREASE	POLYREX EM					
RATING	40C AMB-CONT									
USABLE AT 208V	38			NEMA-NOM-EFF	92.4			PF	83	

Parts List		
Part Number	Description	Quantity
SA301774	SA 09F101Z910G1	1.000 EA
RA288854	RA 09F101Z910G1	1.000 EA
MJ5000A01	SEALANT, CHICO A COMPOUND	0.031 LB
09CB1003A01	CONDUIT BOX MACH. GROUP C MTRS	1.000 EA
10XN3118K24	5/16-18 X 1.50" HEX HD, GRADE 5	4.000 EA
HW1001A31	LOCKWASHER 5/16, ZINC PLT.591 OD, .319 I	4.000 EA
WD1000B25	GND LUG, BURNDY L125HP OR T&B L125HP-BB	1.000 EA
10XN3118K12	5/16-18 X .75 GRADE 5, ZINC PLATED	1.000 EA
HW1001A31	LOCKWASHER 5/16, ZINC PLT.591 OD, .319 I	1.000 EA
09EP1700A22	FR ENDPLATE, MACH	1.000 EA
10XN3816K28	3/8-16 X 1.75 HEX HD CAP SCREW, GRADE 5	4.000 EA
HW1001A38	LOCKWASHER 3/8, ZINC PLT .688 OD, .382 I	4.000 EA
HW5100A08	W3118-035 WVY WSHR (WB)	1.000 EA
10XN2520K36	1/4-20 X 2.25" HX HD SCRWGRADE 5, ZINC P	4.000 EA
HW1001A25	LOCKWASHER 1/4, ZINC PLT .493 OD, .255 I	4.000 EA
09EP1707A01	PU ENDPLATE, MACH	1.000 EA
10XN3816K28	3/8-16 X 1.75 HEX HD CAP SCREW, GRADE 5	4.000 EA
HW1001A38	LOCKWASHER 3/8, ZINC PLT .688 OD, .382 I	4.000 EA
09FH1004A01	FAN COVER, MACH	1.000 EA
10XN2520K14	1/4-20 X .88 HEX GRD 5 (20001)	3.000 EA
HW1001A25	LOCKWASHER 1/4, ZINC PLT .493 OD, .255 I	3.000 EA
09CB1502A01	CONDUIT BOX LID MACH. GROUP C MTRS	1.000 EA
84XN5013J24	1/2-13 X 1-1/2 HEX SOCKET HD CAP SCREW	6.000 EA
HW1001A50	LOCKWASHER 1/2, ZINC PLT.,879 OD, .509 I	6.000 EA

Parts List (continued)		
Part Number	Description	Quantity
HW2501G25	KEY, 3/8 SQ X 2.875	1.000 EA
LB1115N	LABEL,LIFTING DEVICE (ON ROLLS)	1.000 EA
LB1081Z	ALUM XP CAUTION LABEL (ZK PLANT ONLY-	1.000 EA
HW4500A20	1/8NPT SL PIPE PLUG	2.000 EA
MJ1000A02	GREASE, POLYREX EM EXXON (USe 4824-15A)	0.080 LB
HW4500A20	1/8NPT SL PIPE PLUG	2.000 EA
09FN3001D01	EXTERNAL FAN, PLASTIC	1.000 EA
HW2500A25	WOODRUFF KEY USA #1008 #BLOW CARBON STEE	1.000 EA
51XB1214A20	12-14X1.25 HXWSSLD SERTYB	1.000 EA
MG1025G05	WILKOFASST, 789.227, MED. GRAY CHAR. MET.	0.050 GA
85XU0407S04	4X1/4 U DRIVE PIN STAINLESS	6.000 EA
LB1119N	WARNING LABEL	1.000 EA
LC0145B01	CONNECTION LABEL	1.000 EA
NP0978XPSL	SS XP UL CSA CC CL-I GP-C&D CL-II GP-F&G	1.000 EA
40PA1005	PACKAGING GROUP, 09 STD	1.000 EA
MN416A01	TAG-INSTAL-MAINT no wire (1000/bx) 11/14	1.000 EA

AC Induction Motor Performance Data

Record # 51147 - Typical performance - not guaranteed values

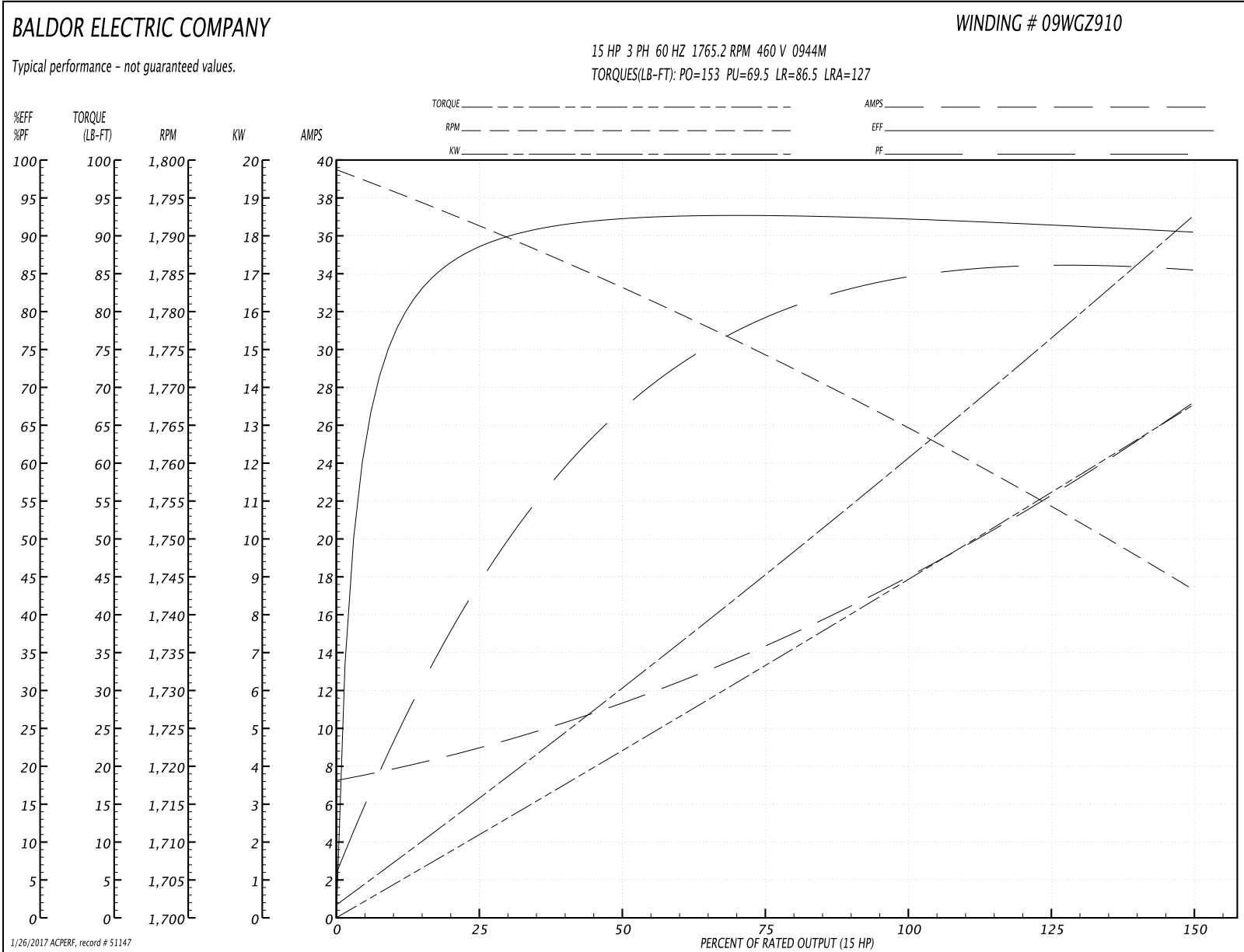
Winding: 09WGZ910-R043	Type: 0944M	Enclosure: XPFC
-------------------------------	--------------------	------------------------

Nameplate Data				460 V, 60 Hz: High Voltage Connection	
Rated Output (HP)	15//10			Full Load Torque	44.5 LB-FT
Volts	230/460//190/380			Start Configuration	direct on line
Full Load Amps	36.2/18.1//30.4/15.2			Breakdown Torque	153 LB-FT
R.P.M.	1765//1470			Pull-up Torque	69.5 LB-FT
Hz	60//50	Phase	3	Locked-rotor Torque	86.5 LB-FT
NEMA Design Code	A	KVA Code	H	Starting Current	127 A
Service Factor (S.F.)	1			No-load Current	7.56 A
NEMA Nom. Eff.	92.4	Power Factor	83	Line-line Res. @ 25°C	0.59555 Ω
Rating - Duty	40C AMB-CONT			Temp. Rise @ Rated Load	54°C
				Locked-rotor Power Factor	33
				Rotor inertia	1.92 LB-FT ²

Load Characteristics 460 V, 60 Hz, 15 HP

% of Rated Load	25	50	75	100	125	150
Power Factor	45	69	79	83	85	87
Efficiency	88.2	92.2	92.7	92.4	91.5	90.4
Speed	1791.3	1783.1	1774	1765.2	1754.6	1743.1
Line amperes	8.62	11	14.5	18.1	22.6	26.9

Performance Graph at 460V, 60Hz, 15.0HP Typical performance - Not guaranteed values



AC Induction Motor Performance Data

Record # 51148 - Typical performance - not guaranteed values

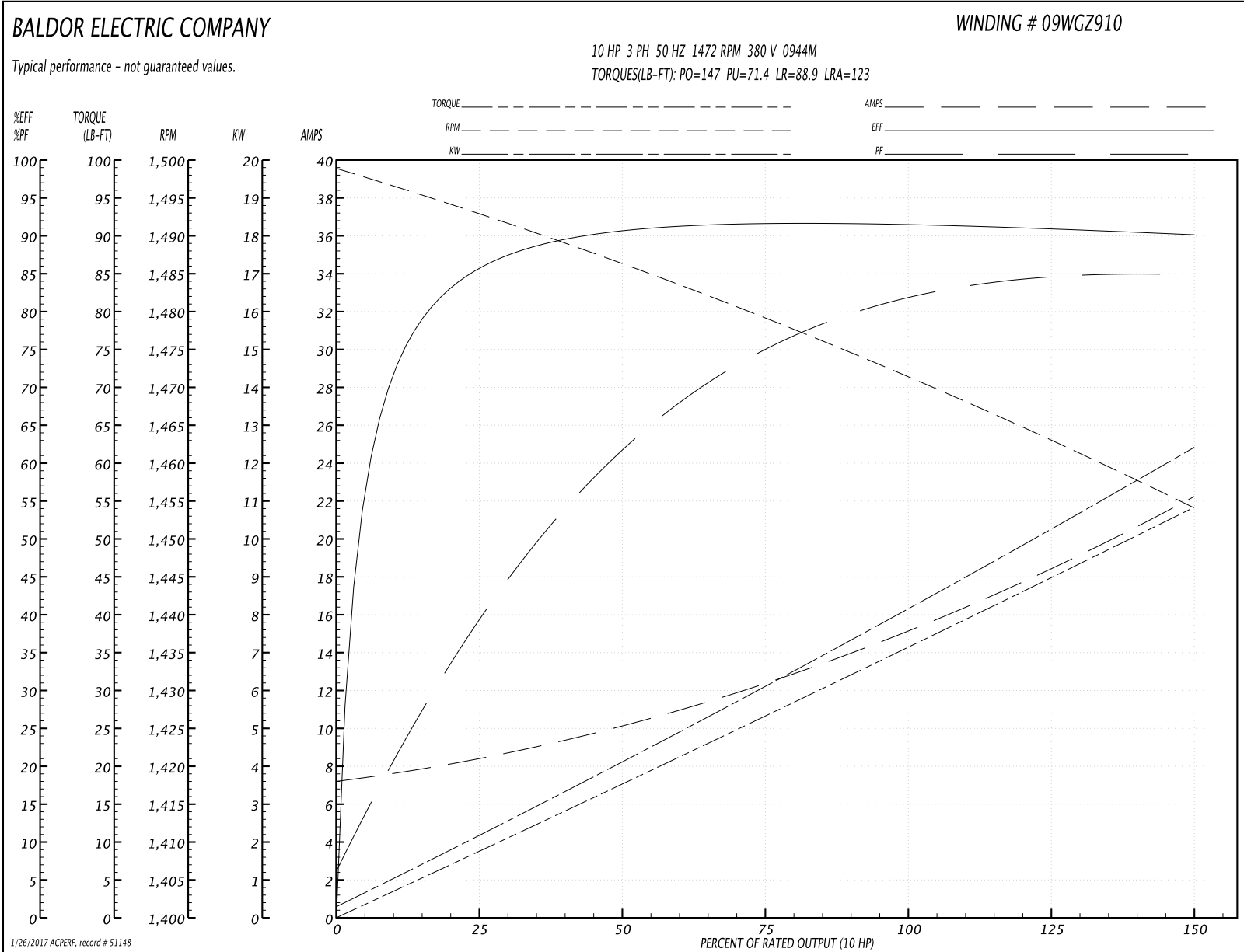
Winding: 09WZ910-R043	Type: 0944M	Enclosure: XPFC
------------------------------	--------------------	------------------------

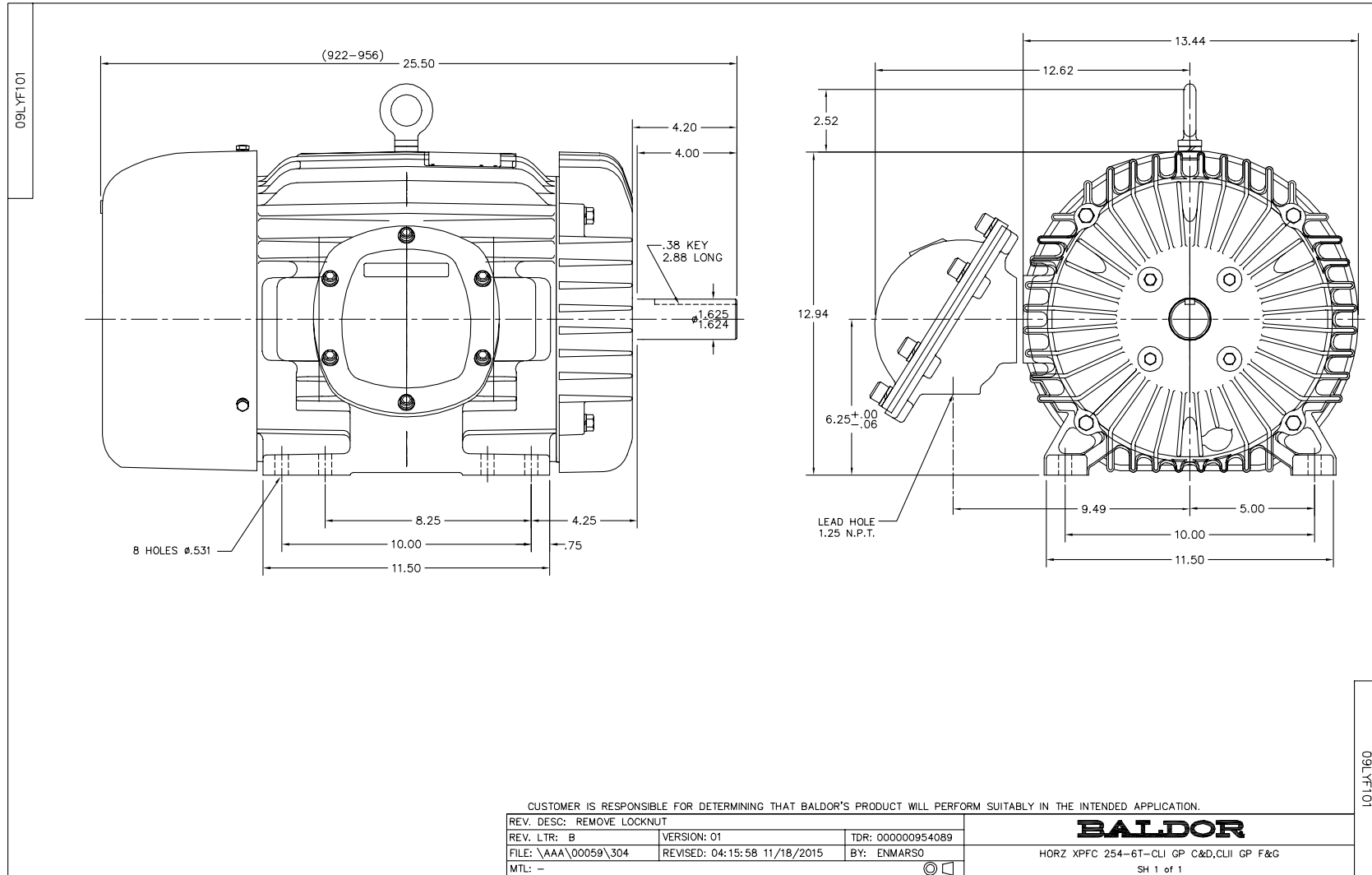
Nameplate Data				380 V, 50 Hz: High Voltage Connection	
Rated Output (HP)	15//10			Full Load Torque	35.6 LB-FT
Volts	230/460//190/380			Start Configuration	direct on line
Full Load Amps	36.2/18.1//30.4/15.2			Breakdown Torque	147 LB-FT
R.P.M.	1765//1470			Pull-up Torque	71.4 LB-FT
Hz	60//50	Phase	3	Locked-rotor Torque	88.9 LB-FT
NEMA Design Code	A	KVA Code	H	Starting Current	123 A
Service Factor (S.F.)	1			No-load Current	7.43 A
NEMA Nom. Eff.	92.4	Power Factor	83	Line-line Res. @ 25°C	0.559 Ω
Rating - Duty	40C AMB-CONT			Temp. Rise @ Rated Load	41°C
				Locked-rotor Power Factor	36.7
				Rotor inertia	1.92 LB-FT ²

Load Characteristics 380 V, 50 Hz, 10 HP

% of Rated Load	25	50	75	100	125	150
Power Factor	40	63	74	81	83	86
Efficiency	85.2	90.8	91.6	91.6	90.9	90.2
Speed	1493	1486	1479	1472	1463	1454
Line amperes	8.17	9.86	12.5	15.2	18.7	22

Performance Graph at 380V, 50Hz, 10.0HP Typical performance - Not guaranteed values

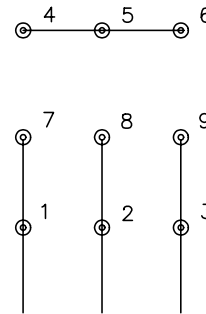




CD0005



LOW VOLTAGE
(2Y)



LINE

HIGH VOLTAGE
(1Y)



LINE

NOTES:

1. INTERCHANGE ANY TWO LINE LEADS TO REVERSE ROTATION.
2. OPTIONAL THERMOSTATS ARE PROVIDED WHEN SPECIFIED.
3. ACTUAL NUMBER OF INTERNAL PARALLEL CIRCUITS MAY BE A MULTIPLE OF THOSE SHOWN ABOVE.
4. LEAD COLORS ARE OPTIONAL. LEADS MUST ALWAYS BE NUMBERED AS SHOWN.

REV. DESC: REVISE TO SHOW OPTIONAL COLORS			
REV. LTR: E	BY: JLP	REVISED: 01/19/99 10:15	TDR: 0171435
90000		FILE: AAA00005140	MDL: -
		MTL: -	

BALDOR ELECTRIC Co.

3PH, DV, 9 LEADS

CD0005