

BALDOR® • RELIANCE

Product Information Packet

EM7087T-I

75//60HP, 1185//985RPM, 3PH, 60//50HZ, 405T

| Part Detail | | | | | | | |
|-------------|---------|----------------|---------|-------------|-----------|---------------|------------|
| Revision: | G | Status: | PRD/A | Change #: | | Proprietary: | No |
| Type: | AC | Prod. Type: | A40072M | Elec. Spec: | A40WG0493 | CD Diagram: | 416820-002 |
| Enclosure: | TEFC | Mfg Plant: | | Mech. Spec: | | Layout: | 617433-513 |
| Frame: | 405T | Mounting: | F1 | Poles: | 06 | Created Date: | 04-27-2015 |
| Base: | | Rotation: | R | Insulation: | F | Eff. Date: | 01-24-2017 |
| Leads: | 3#4,6#6 | | | | | Replaced By: | |
| Literature: | | Elec. Diagram: | | | | | |

| | |
|-------------------|--|
| Nameplate NP2496L | |
| MOBIL POLYREX EM | |
| | |

| | |
|-----------------------|-------|
| Nameplate 000613006PC | |
| CLASS I GROUP | C D X |
| CLASS II GROUP | X X X |
| OPERATING TEMP CODE | T3C |

| Nameplate NP2293L | | | |
|-------------------|-------------------------------|----------------------|---------------|
| CAT.NO. | EM7087T-I | SPEC NO. | A40-6593-0493 |
| HP | 75//60 | PHASE | 3 |
| RPM | 1185//985 | DESIGN | B |
| VOLTS | 230/460//190/380 | TYPE | P |
| AMPS | 168/84.2//164/82 | AMB | 40 |
| DRIVE END BEARING | 80BC03J30X | SF | 1.15 |
| OPP D.E. BEARING | 80BC03J30X | DUTY | CONT |
| SER.NO. | | INSUL.CLASS | F |
| | | ENCL | TEFC |
| | | CODE | G |
| | | NEMA-NOM-EFFICIENCY | 94.5 |
| | | NEMA MG-1 PT 5, IP55 | |
| | SUITABLE FOR 55C AMB @ 1.0 SF | | MOTOR WEIGHT |
| | | | 1375 |
| | | | FRAME 405T |

| Parts List | | |
|-------------|--|----------|
| Part Number | Description | Quantity |
| SA312627 | SA A40-6593-0493 | 1.000 EA |
| RA300066 | RA A40-6593-0493 | 1.000 EA |
| 421948032 | LABEL, MYLAR | 1.000 EA |
| LB1073 | ALUM XP CAUTION LABEL | 1.000 EA |
| NP2496L | MOTOR LUBE NAMEPLATE | 1.000 EA |
| 000692000VD | LABEL WARNING | 1.000 EA |
| 000613006PC | N/P U/L (REL QTY 500) | 1.000 EA |
| NP2293L | BALDOR RELIANCE INDUST. MTR,SS,CSA-C US, | 1.000 EA |
| HW4506A02 | BREATHER/DRAIN-EXP PROOF-.125-27 NPTF AI | 2.000 EA |
| 609158001E | SLGR - 400 | 1.000 EA |
| 603284001Y | SLGR - 400 | 1.000 EA |
| 089416503A | G400 STD BRKT MACHINING 6316 BE OR FE | 1.000 EA |
| 415072001B | CLAMP | 1.000 EA |
| 083198101A | G400 STD FAN COVER MACHINING | 1.000 EA |
| 034180012DA | KEY 1X4X1/4X1-1/2 L | 1.000 EA |
| 078550001H | FAN KB 120/60 360 | 1.000 EA |
| 004824015A | GREASE POLYREX EM | 0.880 LB |
| 032018008CK | HHCS 3/8-16X1L PLATED | 4.000 EA |
| 032018028CK | HHCS 3/8-16X3-1/2 PLTD. | 3.000 EA |
| 415045002B | SLGR | 1.000 EA |
| 410700000DA | WAVY SPRING WASHER | 1.000 EA |
| 034017022AB | LCKW X 7/8 - ZINC PL. STEEL | 4.000 EA |
| 034017014AB | LCKW 3/8 STD. PLATED | 4.000 EA |
| 034000014AB | WSH ID.406 OD.812 TH.065 | 4.000 EA |

| Parts List (continued) | | |
|------------------------|--|----------|
| Part Number | Description | Quantity |
| 032130024GB | SHSCS 7/8-9NC X 3" LONG PLATED | 4.000 EA |
| 034017014AB | LCKW 3/8 STD. PLATED | 3.000 EA |
| 034530052AB | P/NIP 1/8X6-1/2 GALV. | 1.000 EA |
| 415096002A | CPLG 1/8 HEX TYPE | 1.000 EA |
| 035000001A | ALFTG 1/8" 1610-BL | 1.000 EA |
| 034530056BB | P/NIP 1/4X7 SCHED 40 | 1.000 EA |
| 034631002AB | BUSH 1/4 TO 1/8 PLTD. | 1.000 EA |
| 035000001G | GREASE RELIEF FITTING, ALEMITE 317400 | 1.000 EA |
| 035000001A | ALFTG 1/8" 1610-BL | 1.000 EA |
| 415096002A | CPLG 1/8 HEX TYPE | 1.000 EA |
| 034530040AB | P/NIP 1/8X5 GALV. | 1.000 EA |
| 034530040BB | P/NIP 1/4X5 | 1.000 EA |
| 034631002AB | BUSH 1/4 TO 1/8 PLTD. | 1.000 EA |
| 035000001G | GREASE RELIEF FITTING, ALEMITE 317400 | 1.000 EA |
| 089416503A | G400 STD BRKT MACHINING 6316 BE OR FE | 1.000 EA |
| 032018028CK | HHCS 3/8-16X3-1/2 PLTD. | 3.000 EA |
| 415045002B | SLGR | 1.000 EA |
| 034017022AB | LCKW X 7/8 - ZINC PL. STEEL | 4.000 EA |
| 034017014AB | LCKW 3/8 STD. PLATED | 3.000 EA |
| 032620016KB | SHSS; 1/4X1/2 | 1.000 EA |
| 032130024GB | SHSCS 7/8-9NC X 3" LONG PLATED | 4.000 EA |
| 16CB1001A01 | CONDUIT BOX MACH. GROUP C MTRS | 1.000 EA |
| 16CB1501A01 | CONDUIT BOX LID MACH.GRP C MTRS 16CB1501 | 1.000 EA |
| 032130014CB | SHSCS 3/8-16X1-3/4 PLTD. | 4.000 EA |

Product Information Packet: EM7087T-I - 75//60HP,1185//985RPM,3PH,60//50HZ,405T

| | | |
|-------------|---|----------|
| 034017014AB | LCKW 3/8 STD. PLATED | 4.000 EA |
| 032130012EB | SHCS 5/8-11X1-1/2 PLTD. | 8.000 EA |
| 034017018AB | LCKW 5/8" | 8.000 EA |
| 047024002J | TERMINAL LUG - MAKE FM F | 1.000 EA |
| 406099000A | PLUG - FAN COVER 320-440 | 1.000 EA |
| 032018008DK | HHCS 1/2-13X1 PLATED | 1.000 EA |
| 034017016AB | LCKW 1/2" PLATED | 1.000 EA |
| MG1025G05 | WILKOFAS, 789.227, MED. GRAY CHAR. MET. | 0.750 GA |
| 033775004EA | DRSCR #6-1/4 304 S.S. | 8.000 EA |
| 034180044JA | KEY 3/4X3/4X5-1/2 L | 1.000 EA |
| 604797045 | STD. 400 FRAME SKID | 1.000 EA |
| 032510024D | CARRIAGE BOLT - 444 | 2.000 EA |
| 034001014AB | FLAT WASHER 3/8"PLATED | 2.000 EA |
| 034001016AB | WSHR .562ID 1.375OD .109 | 2.000 EA |
| 033300014AC | HEX NUT, SHIPPING - 400 | 2.000 EA |
| 604797003C | SHIPPING BAG | 1.000 EA |

| | | | | | | |
|-----------|-------------|-------------------|-----------|---------------------------------------|-------------|---------|
| REL. S.O. | FRAME | HP | TYPE | PHASE/HERTZ | RPM | VOLTS |
| | 405T | 75 | P | 3/60 | 1185 | 230/460 |
| AMPS | DUTY | AMB °C/ INSUL. | S.F. | NEMA DESIGN | CODE LETTER | ENCL. |
| 168/84.2 | CONT | 40/F | 1.15 | B | G | XPFC |
| E/S | ROTOR | TEST S.O. | TEST DATE | STATOR RES. @25 °C (BETWEEN LINES) | | |
| 596180 | 418142073DE | --- | --- | .0241/.0964 | | |

| PERFORMANCE | | | | | | |
|-------------|------|---------|------|----------------|--------------|--|
| LOAD | HP | AMPERES | RPM | POWER FACTOR % | EFFICIENCY % | |
| NO LOAD | 0 | 24.7 | 1200 | 5.02 | 0 | |
| 1/4 | 18.8 | 31.9 | 1196 | 59.5 | 92.6 | |
| 2/4 | 37.5 | 46.8 | 1193 | 79.3 | 94.8 | |
| 3/4 | 56.2 | 64.5 | 1189 | 85.9 | 95.0 | |
| 4/4 | 75.0 | 84.2 | 1184 | 88.3 | 94.5 | |
| 5/4 | 93.8 | 105 | 1180 | 88.8 | 93.8 | |

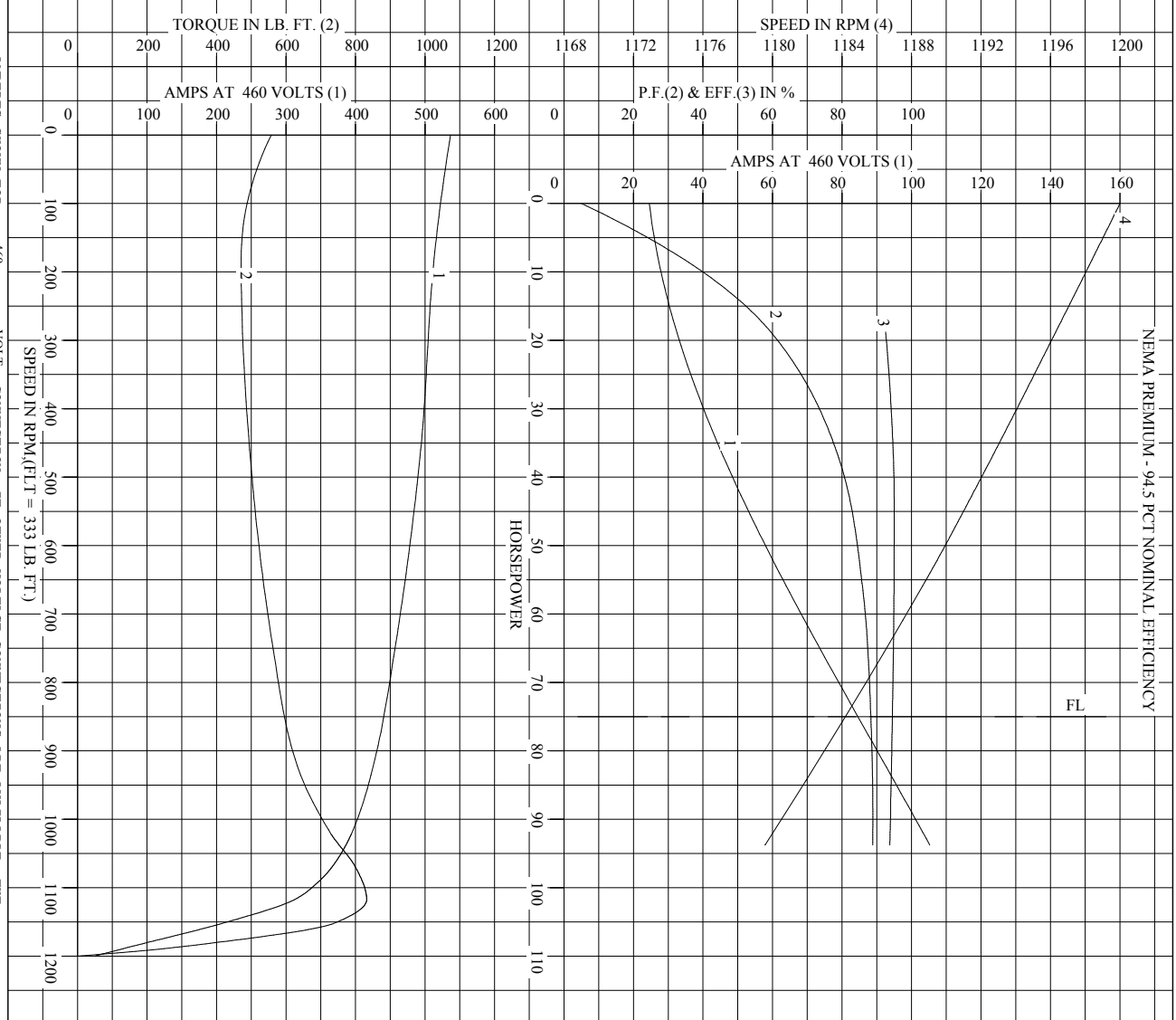
| SPEED TORQUE | | | | |
|--------------|------|--------------------|----------------|---------|
| | RPM | TORQUE % FULL LOAD | TORQUE LB.-FT. | AMPERES |
| LOCKED ROTOR | 0 | 168 | 557 | 537 |
| PULL UP | 180 | 142 | 471 | 513 |
| BREAKDOWN | 1117 | 250 | 832 | 312 |
| FULL LOAD | 1184 | 100 | 333 | 84.2 |

AMPERES SHOWN FOR 460. VOLT CONNECTION. IF OTHER VOLTAGE CONNECTIONS ARE AVAILABLE, THE AMPERES WILL VARY INVERSELY WITH THE RATED VOLTAGE

REMARKS: TYPICAL DATA
NEMA PREMIUM - 94.5 PCT NOMINAL EFFICIENCY

| | | |
|---------------|-----------------------|-------------------------|
| BALDOR | DR. BY W. L. SMITH | A-C MOTOR |
| | CK. BY J. J. HARRISON | |
| | APP. BY W. L. SMITH | PERFORMANCE DATA |
| | DATE 08/25/10 | ISSUE DATE 01/07/11 |

REL. S.O. _____ RPM 1185 S.F. 1.15 ROTOR 418142073DE
 FRAME 405T VOLTS 230/460 NEMA DESIGN B TEST S.O. TYPICAL DATA
 HP 75 AMPS 168/84.2 CODE LETTER G TEST DATE ---
 TYPE P DUTY CONT ENCLOSURE XPFC STATOR RES. @ 25 °C .0241/.0964
 PHASE/HERTZ 3/60 AMB °C/INSUL 40/F E/S 596180 OHMS (BETWEEN LINES)



AMPERES SHOWN FOR 460 VOLT CONNECTION, IF OTHER VOLTAGE CONNECTIONS ARE AVAILABLE, THE AMPERES WILL VARY INVERSELY WITH THE RATED VOLTAGE.

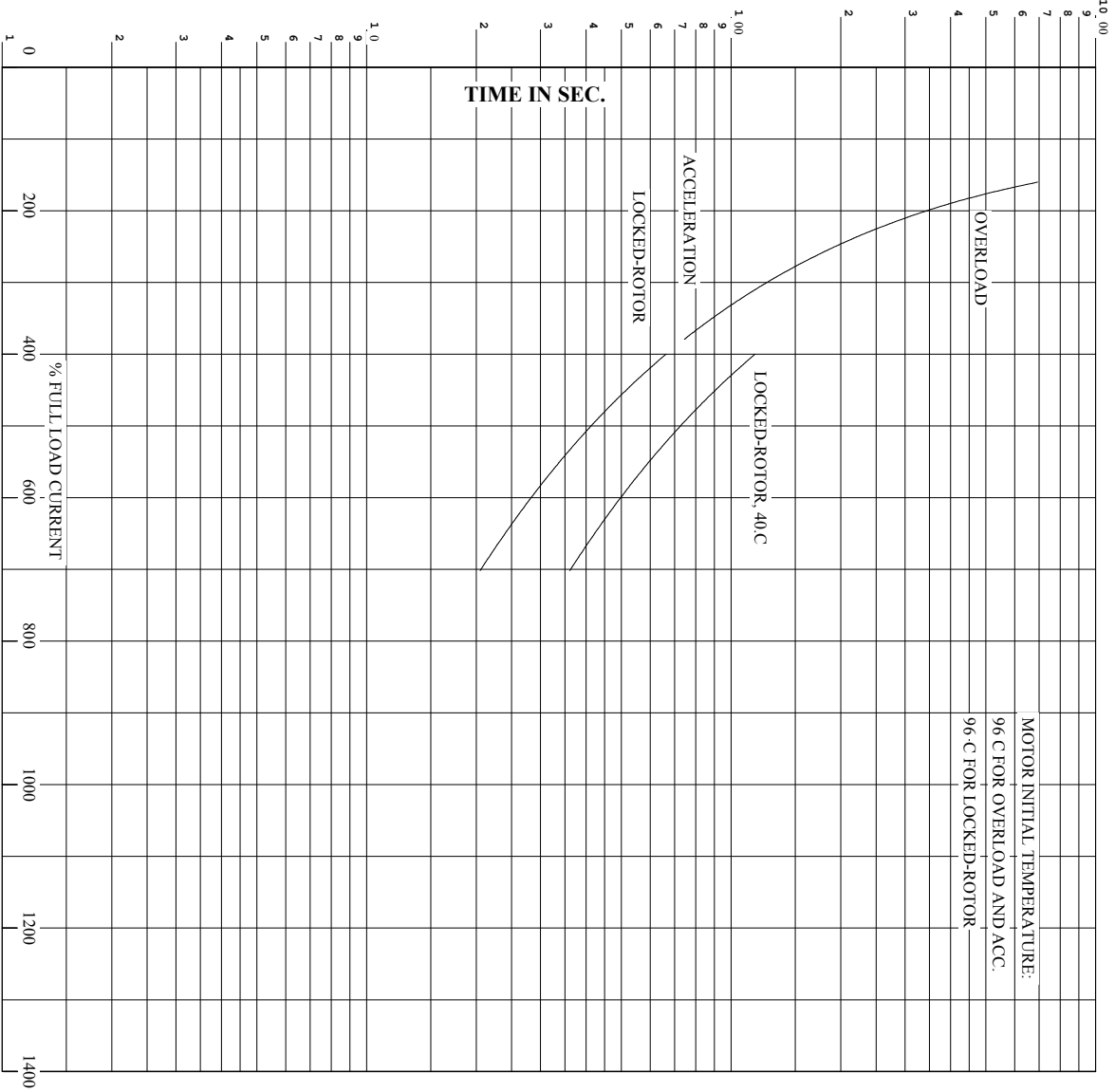
BALDOR

DR. BY W. L. SMITH
 CK. BY J. HARRISON
 APP. BY W. L. SMITH
 DATE 08/25/10

A-C MOTOR PERFORMANCE CURVES A40W/G0493-R001
 ISSUE DATE 01/07/11

Printed on 1/7/11 11:39 @ psecs-motorengr

RET. S.O. RPM 1185 S.F. 1.15 ROTOR 418142073DE
 FRAME 405T VOLTS 230/460 NEMA DESIGN B TEST S.O. TYPICAL DATA
 HP 75 AMPS 168/84.2 CODE LETTER G TEST DATE ---
 TYPE P DUTY CONT ENCLOSURE XEFC STATOR RES. @ 25 °C. 0.241/.0964
 PHASE/HERTZ 3/60 AMB °C/INSUL 40/F E/S 596180 OHS (BETWEEN LINES)



REMARKS: THERMAL LIMIT CURVE
 NEMA PREMIUM - 94.5 PCT NOMINAL EFFICIENCY

AMPERES SHOWN FOR 460 VOLT CONNECTION, IF OTHER VOLTAGE CONNECTIONS ARE AVAILABLE, THE AMPERES WILL VARY INVERSELY WITH THE RATED VOLTAGE.



DR. BY W. L. SMITH
 CK. BY J. HARRISON
 App. BY W. L. SMITH
 DATE 08/25/10

A-C MOTOR PERFORMANCE CURVES
 A40WG0493-R001
 ISSUE DATE 01/07/11

DUTY MASTER ALTERNATING CURRENT MOTORS

SQUIRREL-CAGE INDUCTION

ENCLOSURE: X/P, UNDERWRITERS LISTED

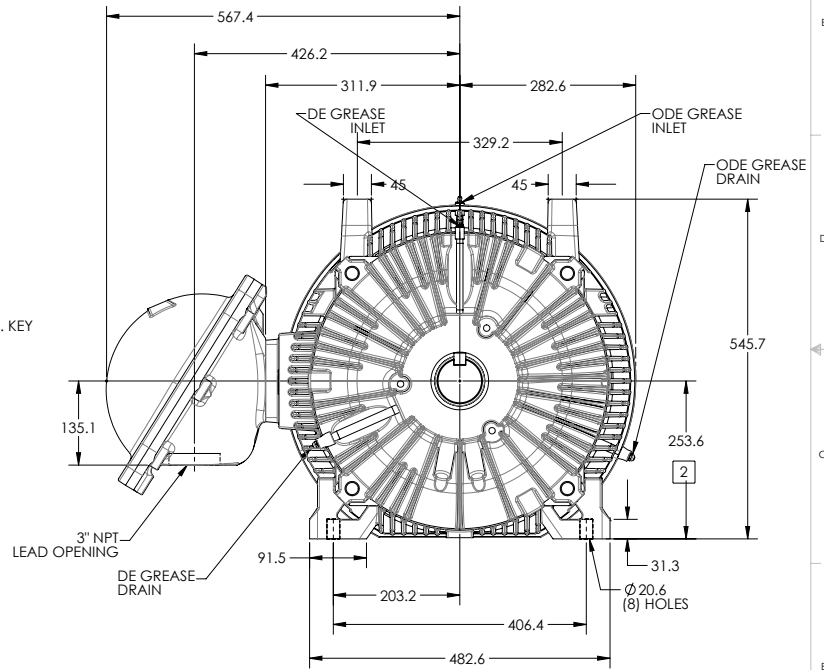
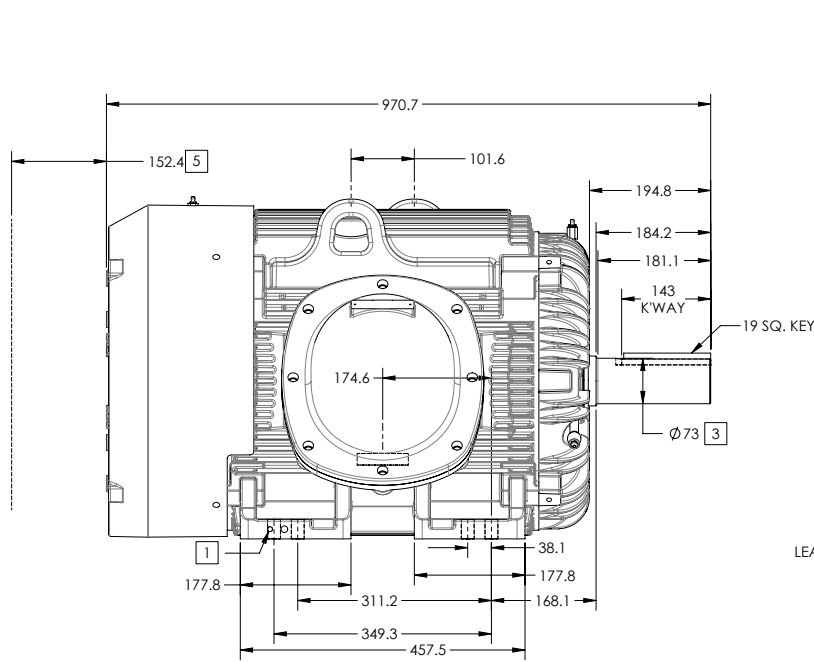
FRAME G405T

COOLING: FAN COOLED

MOUNTING: FOOT

INCLUDES 404T FRAME MOUNTING HOLES

XT/ECP SEVERE DUTY ENCLOSURE



1. GROUND HOLES QTY 1 1/2-13 TAP; QTY 1 3/8-16 TAP
2. VARIES +.00,-1.5MM
3. VARIES +.00,-.025MM
4. MOTOR WEIGHTS MAY VARY BY 15% DEPENDING ON RATING.
5. OBSTRUCTION MUST NOT ENCROACH ON AIR INLET

6 MASS (KGS): 635

CONDUIT BOX LOCATED ON OPPOSITE SIDE WHEN F-2.
IF MOUNTING CLEARANCE DETAILS ARE REQUIRED, CONSULT FACTORY.
MAXIMUM PERMISSIBLE SHAFT RUNOUT WHEN MEASURED AT END OF
STANDARD SHAFT EXTENSION IS .076MM T.I.R. TO 130MM DIA.

DIMENSIONS ARE IN MILLIMETERS; SEE SHEET 1 FOR DIMENSIONS IN INCHES

CUSTOMER IS RESPONSIBLE FOR DETERMINING THAT MOTOR PERFORMANCE IS SUITABLE IN THE APPLICATION.

SHEET NUMBER
2 OF 2

E15-EEZL19

| | | | |
|----------------------|-------------|------------------------------|------------------|
| REV. DESC: NEW | VERSION: 00 | REVISED: 08-51-52 11/20/2015 | TDR: 00000926001 |
| MODEL NO. 617433-513 | BY: RAGTBM | Material: | REF: |

BALDOR

G405T-404T XP TEFC FOOT, DRILL, RIG DUTY, I6CB1001A01 BOX

CONNECTION DIAGRAM ACCESSORIES

| | |
|---------------------------|-----------------------|
| MOTOR WINDING THERMOSTATS | |
| CONTACTS _____ @ _____ °C | |
| FIGURE NUMBER _____ | |
| CONTACT RATING | |
| VOLTS | CONTINUOUS AMPERES |
| 110-120 | 3.0 |
| 220-240 | 1.5 |
| 440-480 | 0.75 |
| 550-600 | 0.60 |
| | INRUSH AMPERES |
| | 30 |
| | 15 |
| | 7.5 |
| | 6.0 |

| NORMALLY CLOSED | THERMOSTATS | NORMALLY OPEN |
|-----------------|-------------|---------------|
| FIGURE 1 | | FIGURE 4 |
| FIGURE 2 | | FIGURE 5 |
| FIGURE 3 | | FIGURE 6 |
| FIGURE 7 | | FIGURE 8 |

CUSTOMER _____ CUSTOMER ORDER NO. _____ S.D. NO. _____

418174-006

418174-006

| | | |
|--------------------------|------------------------------|-------------------|
| REV. DESC: LOADED TO BUS | | TDR: 000000570390 |
| REV. LTR: A | VERSION: 01 | BY: RAGDRF |
| FILE: \RAG\00013\849 | REVISED: 10:16:21 12/07/2010 | |
| MTL: - | | |

BALDOR

A-C MOTOR CONNECTION ACCESSORIES

SH 1 of 1

Marketing maintained PDF of MN408:

<http://www.baldor.com/support/Literature/Load.ashx/MN408?ManNumber=MN408>

Marketing maintained PDF of MN416:

<http://www.baldor.com/support/Literature/Load.ashx/MN416?ManNumber=MN416>