

BALDOR® • **RELIANCE**

Product Information Packet

EM7599T-I

100HP, 1188RPM, 3PH, 60HZ, X444T, A44062M, TEF

Part Detail							
Revision:	A	Status:	PRD/A	Change #:		Proprietary:	No
Type:	AC	Prod. Type:	A44062M	Elec. Spec:	A44WG2112	CD Diagram:	416820-036
Enclosure:	TEFC	Mfg Plant:		Mech. Spec:		Layout:	617426-001
Frame:	X444T	Mounting:	F1	Poles:	06	Created Date:	01-22-2015
Base:		Rotation:	R	Insulation:	B	Eff. Date:	01-20-2016
Leads:	3#2					Replaced By:	
Literature:		Elec. Diagram:					

Nameplate 000613006PC

CLASS I GROUP	D X X
CLASS II GROUP	E F G
OPERATING TEMP CODE	T3C

Nameplate NP2293L			
CAT.NO.	EM7599T-I	SPEC NO.	A44-6802-2112
HP	100	PHASE	3
RPM	1188	DESIGN	B
VOLTS	460	TYPE	P
AMPS	115	AMB	40
DRIVE END BEARING	90BC03J30X	SF	1.15
OPP D.E. BEARING	90BC03J30X	DUTY	CONT
SER.NO.		ENCL	TEFC
		INSUL.CLASS	F
		CODE	G
		NEMA-NOM-EFFICIENCY	95
		FRAME	X444T
		MOTOR WEIGHT	1800

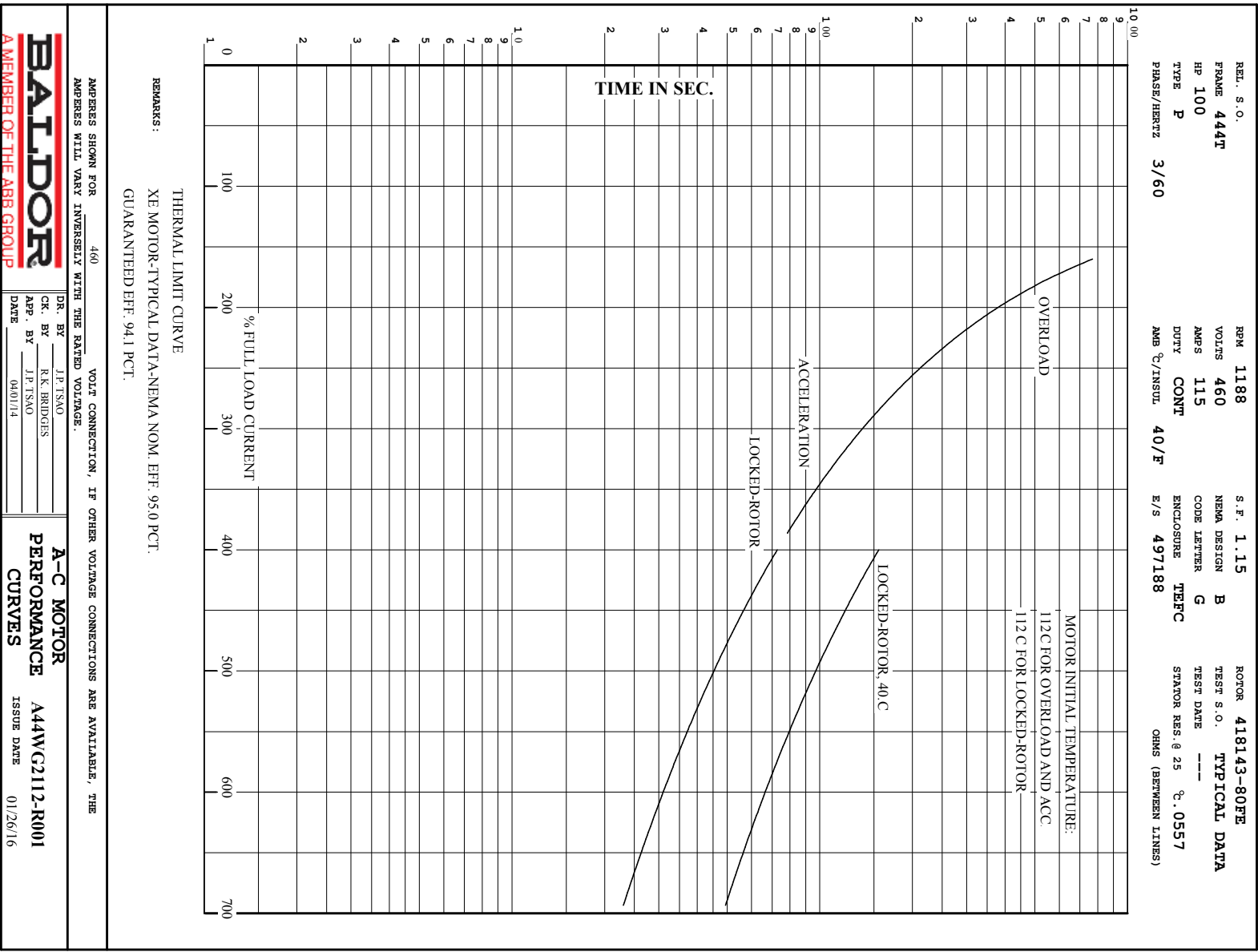
Nameplate NP2496L	
MOBIL POLYREX EM	

Parts List		
Part Number	Description	Quantity
SA312622	SA A44-6802-2112	1.000 EA
RA300061	RA A44-6802-2112	1.000 EA
000692000VD	LABEL WARNING	1.000 EA
000692000FF	N/P	1.000 EA
000613006PC	N/P U/L (REL QTY 500)	1.000 EA
LB1073	ALUM XP CAUTION LABEL	1.000 EA
NP2293L	BALDOR RELIANCE INDUST. MTR,SS,CSA-C US,	1.000 EA
NP2496L	MOTOR LUBE NAMEPLATE	1.000 EA
HW4505A02	BREATHER/DRAIN-EXP PROOF-.250-18 PTF AIS	2.000 EA
089448117E	G28 XP FT MT DE BRKT GRP E 0894480116WCB	1.000 EA
415072001B	CLAMP	1.000 EA
083199082A	G28 FAN COVER MACHINING SHORT VERSION	1.000 EA
034180014DA	KEY 1/4X1/4X1-3/4 L	1.000 EA
078557001E	FAN 440 078557001F	1.000 EA
004824015A	GREASE POLYREX EM	1.160 LB
032018008CK	HHCS 3/8-16X1L PLATED	4.000 EA
032018028DK	HHCS 1/2-13X3-1/2 PLTD.	3.000 EA
415096002A	CPLG 1/8 HEX TYPE	1.000 EA
034630002AB	CPLG 1/4" PLATED	1.000 EA
415044053AX	SLINGER,DE 6318 G440	1.000 EA
410700004A	WSHR	1.000 EA
034017014AB	LCKW 3/8 STD. PLATED	4.000 EA
032130024HB	HSHCS 1-8X3" PLATED	4.000 EA
034530072AB	P/NIP 1/8X9"L Threaded both ends	1.000 EA

Parts List (continued)		
Part Number	Description	Quantity
034530072BB	PIPE NIPPLE,DE - 440-BS	1.000 EA
032620016KB	HSHTS; 1/4X1/2	2.000 EA
034690002AB	"unbulked" PPLG 1/4" PLTD.	1.000 EA
034690002AB	"unbulked" PPLG 1/4" PLTD.	1.000 EA
089448117E	G28 XP FT MT DE BRKT GRP E 0894480116WCB	1.000 EA
032018030DK	HHCS 1/2-13X3-3/4 PLTD.	3.000 EA
415044053AX	SLINGER,DE 6318 G440	1.000 EA
034017016AB	LCKW 1/2" PLATED	3.000 EA
032620016KB	HSHTS; 1/4X1/2	2.000 EA
034530044BB	P/NIP 1/4X5-1/2L PLT	1.000 EA
034530044AB	P/NIP 1/8X5-1/2L GALV.	1.000 EA
415096002A	CPLG 1/8 HEX TYPE	1.000 EA
034630002AB	CPLG 1/4" PLATED	1.000 EA
702623018B	BRKT MOUNTED G28 XP T-BARRIER - 6318 BRG	1.000 EA
032018006BK	HHCS 5/16-18X3/4 PLATED	3.000 EA
034017013AB	LCKW 5/16 STD. PLATED	3.000 EA
032130024HB	HSHCS 1-8X3" PLATED	4.000 EA
18CB1004A01	STD CONDUIT BOX 444-449T 318 EXPL PROOF	1.000 EA
18CB1504A01	STD CONDUIT BOX LID 444-449T 318 EXPL PR	1.000 EA
418150003A	GREASE FITTING CAP	1.000 EA
034017018AB	LCKW 5/8"	10.000 EA
035000001A	ALFTG 1/8" 1610-BL	1.000 EA
032130016EB	HSHCS 5/8-11X2 PLTD.	10.000 EA
032130020EB	HSHCS 5/8-11X2-1/2PLTD.	4.000 EA

Product Information Packet: EM7599T-I - 100HP,1188RPM,3PH,60HZ,X444T,A44062M,TEF

034017018AB	LCKW 5/8"	4.000 EA
047024002J	TERMINAL LUG - MAKE FM F	1.000 EA
406099000A	PLUG - FAN COVER 320-440	1.000 EA
032620016LA	SOCKET SET SCREW-449	3.000 EA
032018008DK	HHCS 1/2-13X1 PLATED	1.000 EA
406055001B	GRFTG	1.000 EA
035000001A	ALFTG 1/8" 1610-BL	1.000 EA
418150003A	GREASE FITTING CAP	1.000 EA
MG1025G05	WILKOFAS, 789.227, MED. GRAY CHAR. MET.	0.250 GA
033775004EA	DRSCR #6-1/4 304 S.S.	4.000 EA
85XU0407S04	4X1/4 U DRIVE PIN STAINLESS	2.000 EA
034180054KA	KEY 7/8X7/8X6-3/4 L	1.000 EA
604797045	STD. 400 FRAME SKID	1.000 EA
032510024D	CARRIAGE BOLT - 444	2.000 EA
034001014AB	FLAT WASHER 3/8"PLATED	2.000 EA
034001016AB	WSHR .562ID 1.375OD .109	2.000 EA
033300014AC	HEX NUT, SHIPPING - 400	2.000 EA
604797003C	SHIPPING BAG	1.000 EA



BALDOR
A MEMBER OF THE ABB GROUP

DR. BY J.P. TSAO
CK. BY R.K. BRIDGES
APP. BY J.P. TSAO
DATE 04/01/14

A-C MOTOR
PERFORMANCE
CURVES

A44W/G2112-R001
ISSUE DATE 01/26/16

REL. S.O.	FRAME	HP	TYPE	PHASE/HERTZ	RPM	VOLTS
444T	444T	100	P	3/60	1188	460
AMPS	DUTY	AMB °C/INSUL.	S.F.	NEMA DESIGN	CODE LETTER	ENCL.
115	CONT	40/F	1.15	B	G	TEFC
E/S	ROTOR	TEST S.O.	TEST DATE	STATOR RES. @25 °C OHMS (BETWEEN LINES)		
497188	418143-80FE	---	---	.0557		

PERFORMANCE


LOAD	HP	AMPERES	RPM	POWER FACTOR %	EFFICIENCY %
NO LOAD	0	34.8	1200	5.43	0
1/4	25.0	44.7	1197	57.1	91.9
2/4	49.9	63.8	1194	77.3	94.7
3/4	74.9	88.0	1191	83.7	95.2
4/4	100	115	1188	85.6	95.1
5/4	125	143	1185	86.2	94.6

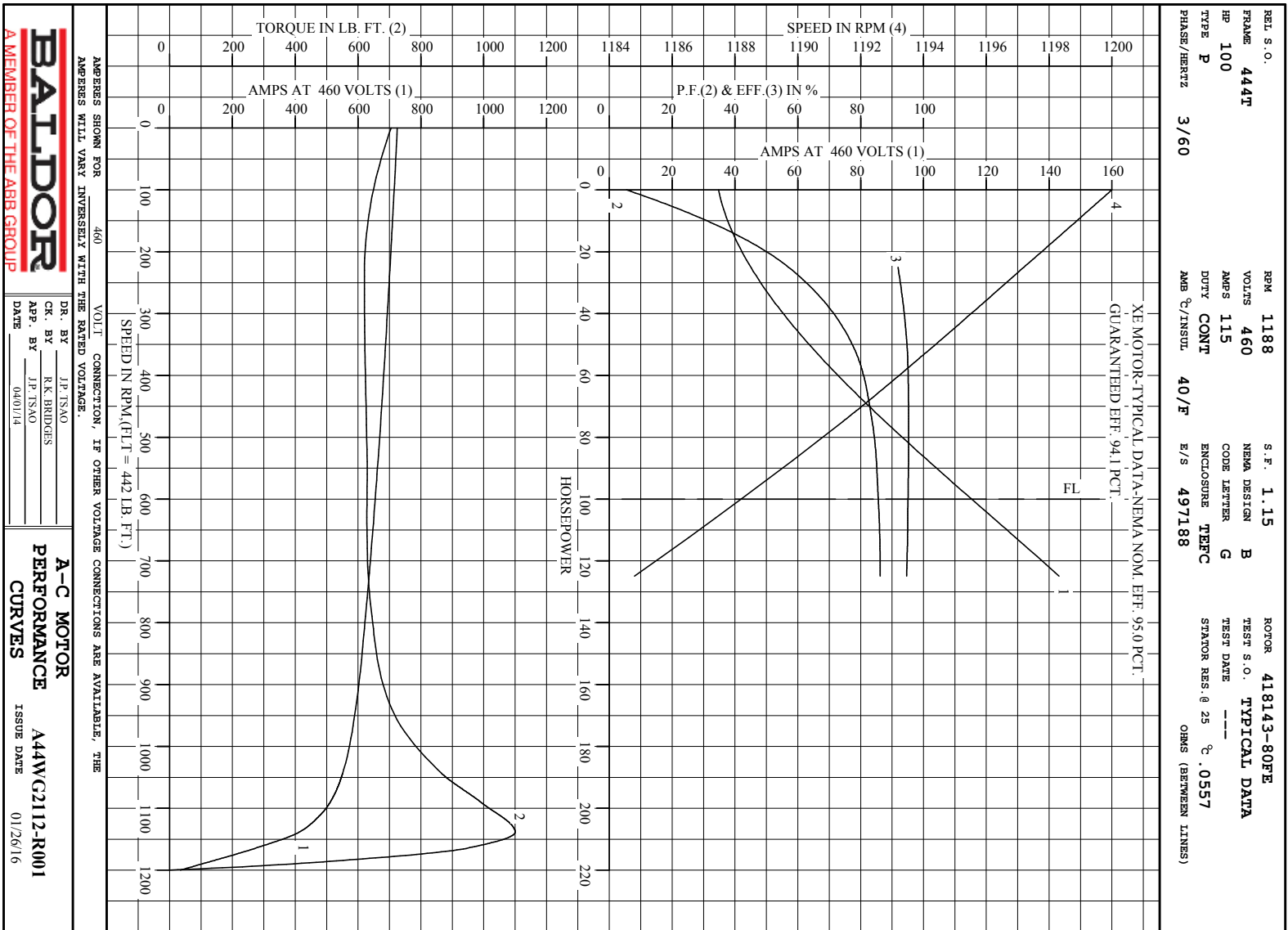
SPEED TORQUE

	RPM	TORQUE % FULL LOAD	TORQUE LB.-FT.	AMPERES
LOCKED ROTOR	0	160	705	725
PULL UP	240	140	620	700
BREAKDOWN	1139	249	1100	412
FULL LOAD	1188	100	442	115

AMPERES SHOWN FOR 460. VOLT CONNECTION. IF OTHER VOLTAGE CONNECTIONS ARE AVAILABLE, THE AMPERES WILL VARY INVERSELY WITH THE RATED VOLTAGE

REMARKS: TYPICAL DATA
 XE MOTOR-TYPICAL DATA-NEMA NOM. EFF. 95.0 PCT.
 GUARANTEED EFF. 94.1 PCT.

 A MEMBER OF THE ABB GROUP	DR. BY <u>J.P. TSMO</u> CK. BY <u>R.K. BRIDGES</u>	A-C MOTOR PERFORMANCE DATA A44WG2112-R001 ISSUE DATE 01/26/16
	DR. BY <u>J.P. TSMO</u> APP. BY <u>J.P. TSMO</u> DATE <u>04/01/14</u>	



Printed on 9/14/16 14:14 @ bengap01.baldor.com

BALDOR
A MEMBER OF THE ABB GROUP

DR. BY J.P. TSANO
CK. BY R.K. BRIDGES
APP. BY J.P. TSANO
DATE 04/01/14

A-C MOTOR PERFORMANCE CURVES
A44WG2112-R001
ISSUE DATE 01/26/16

AMPERES SHOWN FOR 460 VOLTS
AMPERES WILL VARY INVERSELY WITH THE RATED VOLTAGE.

TORQUE IN LB. FT. (2)
SPEED IN RPM (4)

AMPS AT 460 VOLTS (1)
P.F. (2) & EFF. (3) IN %

AMPS AT 460 VOLTS (1)
SPEED IN RPM (FLT = 442 LB. FT.)

VOLT CONNECTION, IF OTHER VOLTAGE CONNECTIONS ARE AVAILABLE, THE

617426-001

DUTY MASTER ALTERNATING CURRENT MOTORS

SQUIRREL-CAGE INDUCTION

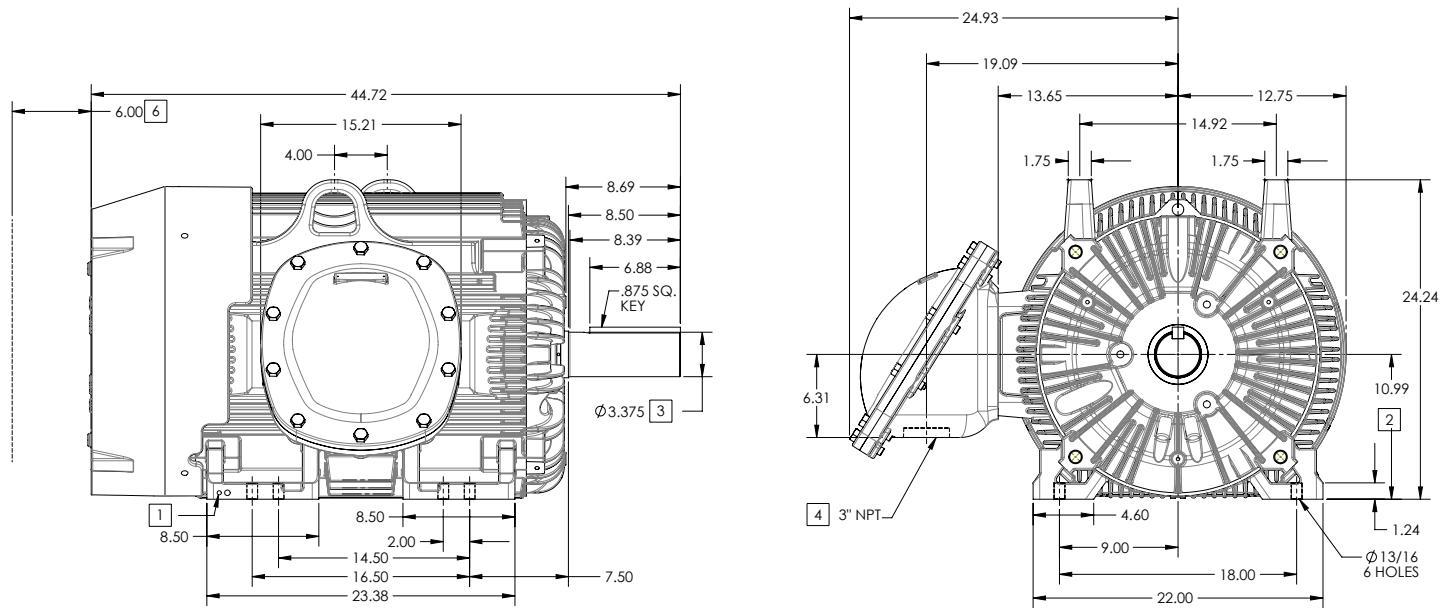
ENCLOSURE: UL LISTED MOTOR

FRAME G445T ABOVE NEMA RATINGS

COOLING: FAN COOLED

MOUNTING: FOOT

INCLUDES 444T FRAME MOUNTING HOLES



1. GROUND HOLES QTY 1 1/2-13 TAP; QTY 1 3/8-16 TAP
2. VARIES +.00,-.06
3. VARIES +.000,-.001
4. ON STANDARD MOTORS THIS IS CONDUIT SIZE. ON XT AND CORROSION PROOF MOTOR THIS IS PIPE TAP.
5. MOTOR WEIGHTS MAY VARY BY 15% DEPENDING ON RATING.
6. OBSTRUCTION MUST NO ENCROACH ON AIR INLET

CONDUIT BOX LOCATED ON OPPOSITE SIDE WHEN F-2.
IF MOUNTING CLEARANCE DETAILS ARE REQUIRED, CONSULT FACTORY.
MAXIMUM PERMISSIBLE SHAFT RUNOUT WHEN MEASURED AT END OF
STANDARD SHAFT EXTENSION IS .003" T.I.R. TO 5 INCH DIA.

[5] WEIGHT (LBS): 2150

DRIVE END AIR DEFLECTOR IS ONLY INCLUDED WHEN NECESSARY.

DIMENSIONS ARE IN INCHES; SEE SHEET 2 FOR DIMENSIONS IN MILLIMETERS

CUSTOMER IS RESPONSIBLE FOR DETERMINING THAT MOTOR PERFORMANCE IS SUITABLE IN THE APPLICATION.

SHEET NUMBER
1 OF 2

100-9672119

REV. DESC: CHANGED TO HAVE NEMA "BA" DIMENSION	REVISED: 10-13-00 11/20/2015	TDR: 00000926001
REV: C	VERSION: 03	REF:
MODEL NO. 617426-001	BY: RAGTBM	Material:

BALDOR

G445T/444T XP - FOOTED - SIDE/CENTER C/B

617426-001

617426-001

DUTY MASTER ALTERNATING CURRENT MOTORS

SQUIRREL-CAGE INDUCTION

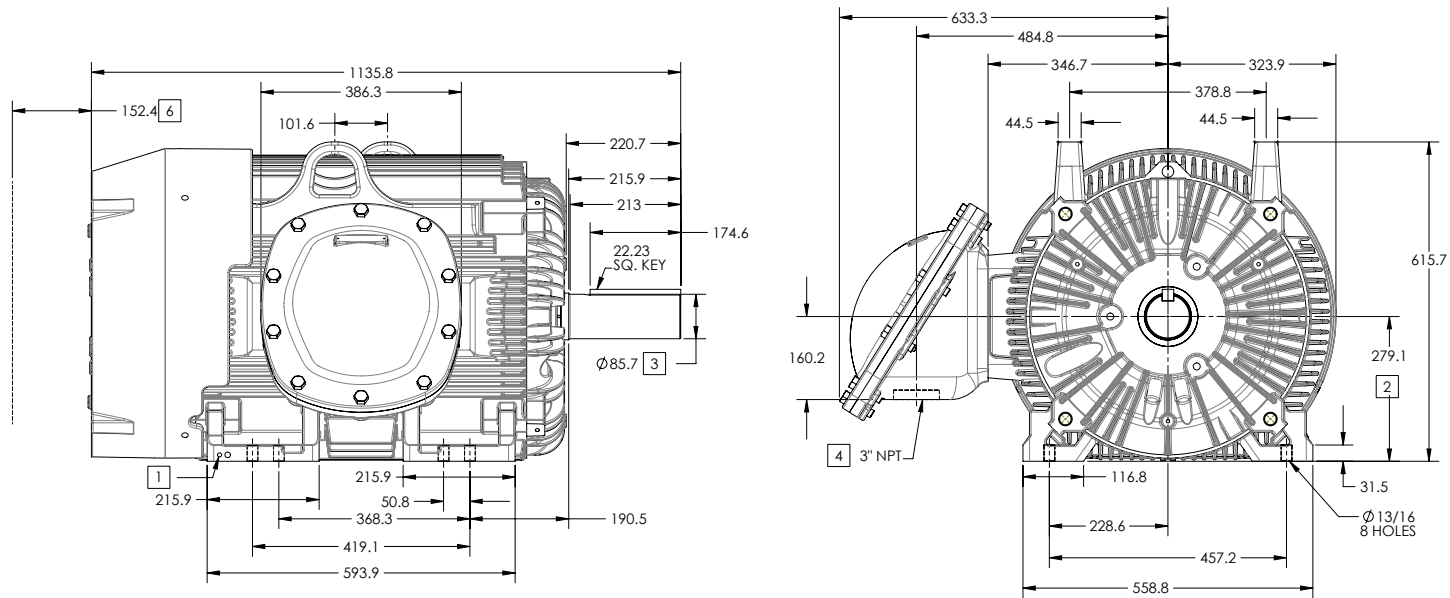
ENCLOSURE: UL LISTED MOTOR

FRAME G445T ABOVE NEMA RATINGS

COOLING: FAN COOLED

MOUNTING: FOOT

INCLUDES 444T FRAME MOUNTING HOLES



1. GROUND HOLES QTY 1 1/2-13 TAP; QTY 1 3/8-16 TAP
2. VARIES +.00, -.06
3. VARIES +.000, -.001
4. ON STANDARD MOTORS THIS IS CONDUIT SIZE. ON XT AND CORROSION PROOF MOTOR THIS IS PIPE TAP.
5. MOTOR WEIGHTS MAY VARY BY 15% DEPENDING ON RATING.
6. OBSTRUCTION MUST NO ENCR OACH ON AIR INLET

CONDUIT BOX LOCATED ON OPPOSITE SIDE WHEN F-2.
 IF MOUNTING CLEARANCE DETAILS ARE REQUIRED, CONSULT FACTORY.
 MAXIMUM PERMISSIBLE SHAFT RUNOUT WHEN MEASURED AT END OF STANDARD SHAFT EXTENSION IS .08 MM T.I.R. TO 127 MM DIA.

5 WEIGHT (KGS): 975

DRIVE END AIR DEFLECTOR IS ONLY INCLUDED WHEN NECESSARY.

DIMENSIONS ARE IN MILLIMETERS; SEE SHEET 1 FOR DIMENSIONS IN INCHES

CUSTOMER IS RESPONSIBLE FOR DETERMINING THAT MOTOR PERFORMANCE IS SUITABLE IN THE APPLICATION.

SHEET NUMBER
2 OF 2

100-9C72119

REV. DESC: CHANGED TO HAVE NEMA "BA" DIMENSION	REVISED: 10-13-00 11/20/2015	TDR: 00000926001
REV: C	VERSION: 03	REF:
MODEL NO. 617426-001	BY: RAGTBM	Material:

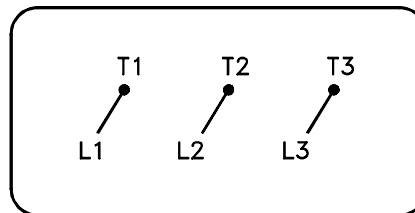
BALDOR

G445T-444T XP - FOOTED - SIDE/CENTER CB

617426-001

416820-036

A-C MOTOR
CONNECTION DIAGRAM
STANDARD 3 LEAD CONNECTED



(N.P. 1575-BA)

416820-036

REV. DESC: LOADED TO BUS, C/R 335225		
REV. LTR: -	VERSION: 00	TDR: 000000538207
FILE: \MGA\00000\682	REVISED: 11:54:06 04/30/2010	
MTL: -	BY: RAGRA	

BALDOR

CONN DIAG - STANDARD 3 LEAD

SH 1 of 1