

BALDOR® • **RELIANCE**

Product Information Packet

IDDRPM18304C

30HP,1745RPM,3PH,60HZ,1852C,DPG-FV,FT/2

Part Detail							
Revision:	-	Status:	PRD/A	Change #:		Proprietary:	No
Type:	AC	Prod. Type:		Elec. Spec:	L1206A	CD Diagram:	422927-001
Enclosure:	DPFV	Mfg Plant:		Mech. Spec:		Layout:	617236-023
Frame:	FL1852CZ	Mounting:	F1	Poles:	04	Created Date:	04-10-2015
Base:		Rotation:	R	Insulation:	H	Eff. Date:	04-13-2015
Leads:						Replaced By:	
Literature:		Elec. Diagram:					

Nameplate 000613006NS																															
	<table border="1"> <thead> <tr> <th>DUTY</th> <th>HP</th> <th>RPM</th> <th>AMPS</th> <th>VOLTS</th> <th>HZ</th> </tr> </thead> <tbody> <tr> <td>CONT</td> <td>30</td> <td>1745</td> <td>39</td> <td>460</td> <td>60</td> </tr> <tr> <td>CONT</td> <td>30</td> <td>2300</td> <td>36.5</td> <td>460</td> <td>79.1</td> </tr> <tr> <td>CONT</td> <td>30</td> <td>3475</td> <td>38</td> <td>460</td> <td>120</td> </tr> <tr> <td></td> <td></td> <td></td> <td></td> <td></td> <td></td> </tr> </tbody> </table>	DUTY	HP	RPM	AMPS	VOLTS	HZ	CONT	30	1745	39	460	60	CONT	30	2300	36.5	460	79.1	CONT	30	3475	38	460	120						
DUTY	HP	RPM	AMPS	VOLTS	HZ																										
CONT	30	1745	39	460	60																										
CONT	30	2300	36.5	460	79.1																										
CONT	30	3475	38	460	120																										
CAT.NO.	IDDRPM18304C	SPEC. NO.	P18T0331																												
SER.NO.		FR	FL 1852CZ	INSUL	H																										
PH.	3	MAX SAFE SPEED	7200	AMB.	40																										
DESIGN NO.	L1206A	TYPE		ENCL.	DP																										
S.F.	1.0	D.E. BRG.	45BC02JPP30A																												
ENCL MOD	FORCE VENT	O.D.E. BRG.	35BC02JPP30A																												
					MIN. AMB. 0																										

Parts List		
Part Number	Description	Quantity
WS286787	WS P18T0331	1.000 EA
RA282995	RA P18T0331	1.000 EA
000613006NS	RPM AC WITH CERTIFIED LOGO	2.000 EA
000692000FP	NP, WARNING LIFT INSTRUCTIONS	1.000 EA
036170004EA	ROUND HEAD DRIVE SCREW	4.000 EA
418018079A	LABEL	1.000 EA
422927001	C/D LABEL	1.000 EA
708526001E	STATOR 9.50" L180	1.000 EA
032003200CB	FL1852 THRU BOLT	4.000 EA
033102012AG	HXNUT LEAD CONN	4.000 EA
034017012AB	LCKW 1/4 STD. PLATED	4.000 EA
036000050JB	M8-1,25 X 50 MHHCS	2.000 EA
400638001D	WAVEN	1.000 EA
411693051B	LUG, LIFTING	2.000 EA
807580023BAA	BRKT,DE,FL180	1.000 EA
807580024AAC	BRKT,ODE,FL180,DPFV	1.000 EA
000613006NT	NAME PLATE IEC	1.000 EA
032018004DK	HHCS,DRIP COVER	4.000 EA
032018006CK	HHCS 3/8-16X3/4L PLATED	4.000 EA
034017014AB	LCKW 3/8 STD. PLATED	4.000 EA
036000012HB	HHCS M6X12MM LONG PLATED	2.000 EA
036000012HB	HHCS M6X12MM LONG PLATED	3.000 EA
036000012HB	HHCS M6X12MM LONG PLATED	3.000 EA
036000020HB	HHCS M6-1.0X20MM PLATED	4.000 EA

Parts List (continued)		
Part Number	Description	Quantity
036000040JB	HHCS,DE BRKT	4.000 EA
036200030HB	M6 STUD	4.000 EA
036200055HB	M6 STUD	2.000 EA
036500008AB	METRIC H.NUT M6-1.0 PLTD	6.000 EA
036600008AB	MFWSH M6 PLATED	6.000 EA
036601008AB	M6 FLAT WASHER	3.000 EA
036620009AB	M8 EXTERNAL LK WASHER	1.000 EA
065530000B	GASK	1.000 EA
075451000A	COVER, CONDUIT BOX	1.000 EA
410978010A	FLANGE, INLET BLOWER	1.000 EA
410978011A	GRILL, INLET BLOWER HSG	1.000 EA
415000103G	TLUG	1.000 EA
417733001A	GSK C/ BOX BASE	2.000 EA
418010006A	CAST,MPLATE,180-280,EX1,7BY	1.000 EA
418018074A	GROUND LABEL G100 METRIC 160 D.C.	1.000 EA
422919374	FL180 DPFV HHCVR KIT	1.000 EA
422919374	FL180 DPFV HHCVR KIT	1.000 EA
600164003A	WHEEL, BLOWER	1.000 EA
610490001B	.33HP,3450//2850RPM,3PH,60//50HZ,56C,341	1.000 EA
706305301A	GUARD, SHAFT	1.000 EA
706313063F	BLOWER HOUSING	1.000 EA
706320003A	CONDUIT BOX	1.000 EA
807505070D	DUCT, BLOWER	1.000 EA
418057243A	GROOVE PIN	1.000 EA

Product Information Packet: IDDRPM18304C - 30HP,1745RPM,3PH,60HZ,1852C,DPG-FV,FT/2

807504053D	FL180 TEAO FRAME	1.000 EA
000640000P	TAG WINDING THERMOST	1.000 EA
004824007K	SPECIAL PAINT	0.100 EA
034180022FA	KEY 3/8X3/8X2-3/4 L	1.000 EA
418018116	WARNING PLATE	1.000 EA
036500008AB	METRIC H.NUT M6-1.0 PLTD	2.000 EA
036601008AB	M6 FLAT WASHER	2.000 EA

REL S.O.	-	VOLTS	460	ENCLOSURE	DPFV	WYE	CONN EQ	CKT OHMS	PER PHASE
FRAME	FLL1852	AMPS	39	MAX SAFE RPM	7200	(AT BASE RATING, 25 °C)			
HP	30	DUTY	CONT	IM (AMPS)	17.5	R1	.211	X1	.727
BASE SPEED	1745	S.F.	1.0	P.F. @NL/FL	.080/.838	R2	.155	X2	.742
PHASE/HERTZ	3/60	AMB °C/INSUL	40/H	WK ² (lb-ft ²)	.8			XM	12.7


RATED FULL LOAD DATA

	RPM	HP	TORQUE LB-FT	FUND VOLTS	FREQ-HZ	AMPS
BASE SPEED	1745	30.0	90	460	60	41.2
MAX SPEED	3473	30.0	45	460	120	38.7
MIN SPEED	0	0	90	25.5	1.83	41.2

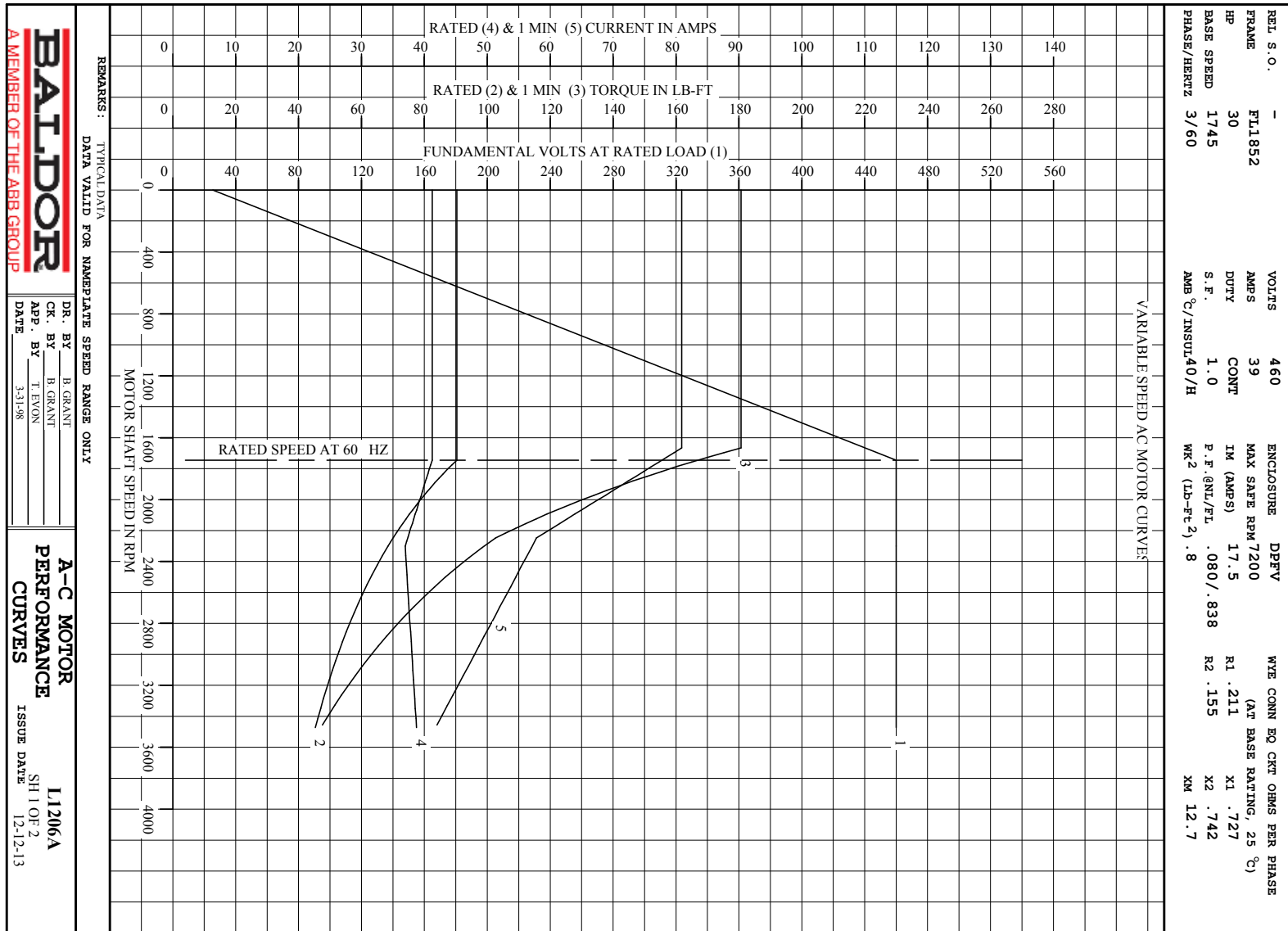
LOAD PERFORMANCE AT BASE SPEED

	RPM	HP	TORQUE LB-FT	FUND VOLTS	FREQ-HZ	AMPS
NO LOAD	1800	0	0	460	60	21.2
1/4	1787	7.50	22	460	60	23.1
1/2	1774	15.0	44	460	60	27.4
3/4	1760	22.5	67	460	60	33.6
FULL LOAD	1745	30.0	90	460	60	41.2
O/L	1666	57.3	181	460	60	80.9

REMARKS: TYPICAL DATA

 <p>A MEMBER OF THE ABB GROUP</p>	DR. BY	B. GRANT	<p>A-C MOTOR</p> <p>PERFORMANCE</p> <p>DATA</p>
	CR. BY	B. GRANT	
	APP. BY	T. EVON	
	DATE	3-31-98	

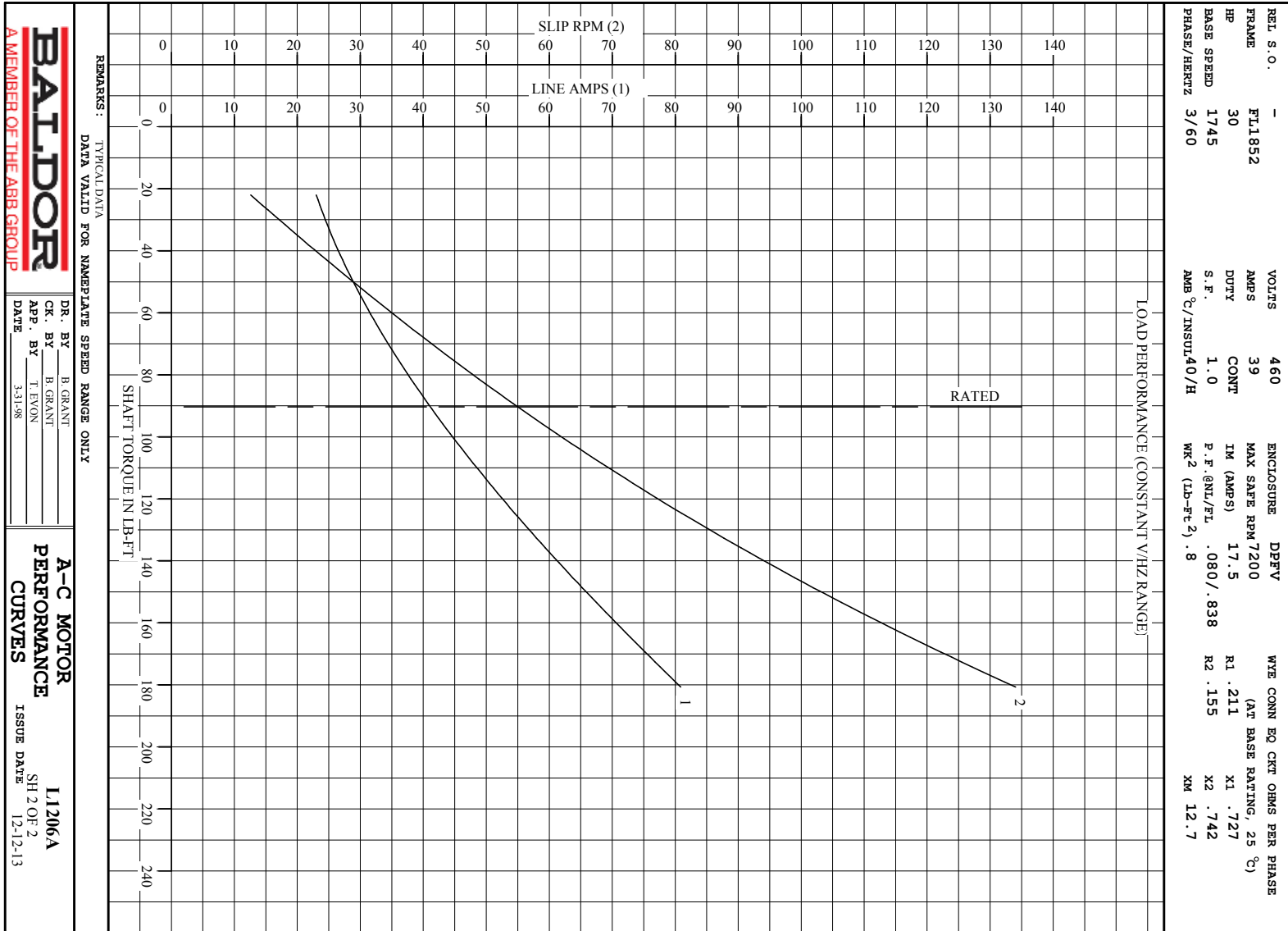
A-C MOTOR
PERFORMANCE
DATA
L1206A
ISSUE DATE 12-12-13



BALDOR
A MEMBER OF THE ABB GROUP

DR. BY B. GRANT
CR. BY H. GRANT
APP. BY T. EVON
DATE 3-31-98

A-C MOTOR PERFORMANCE CURVES
L1206A
SH 1 OF 2
ISSUE DATE 12-12-13

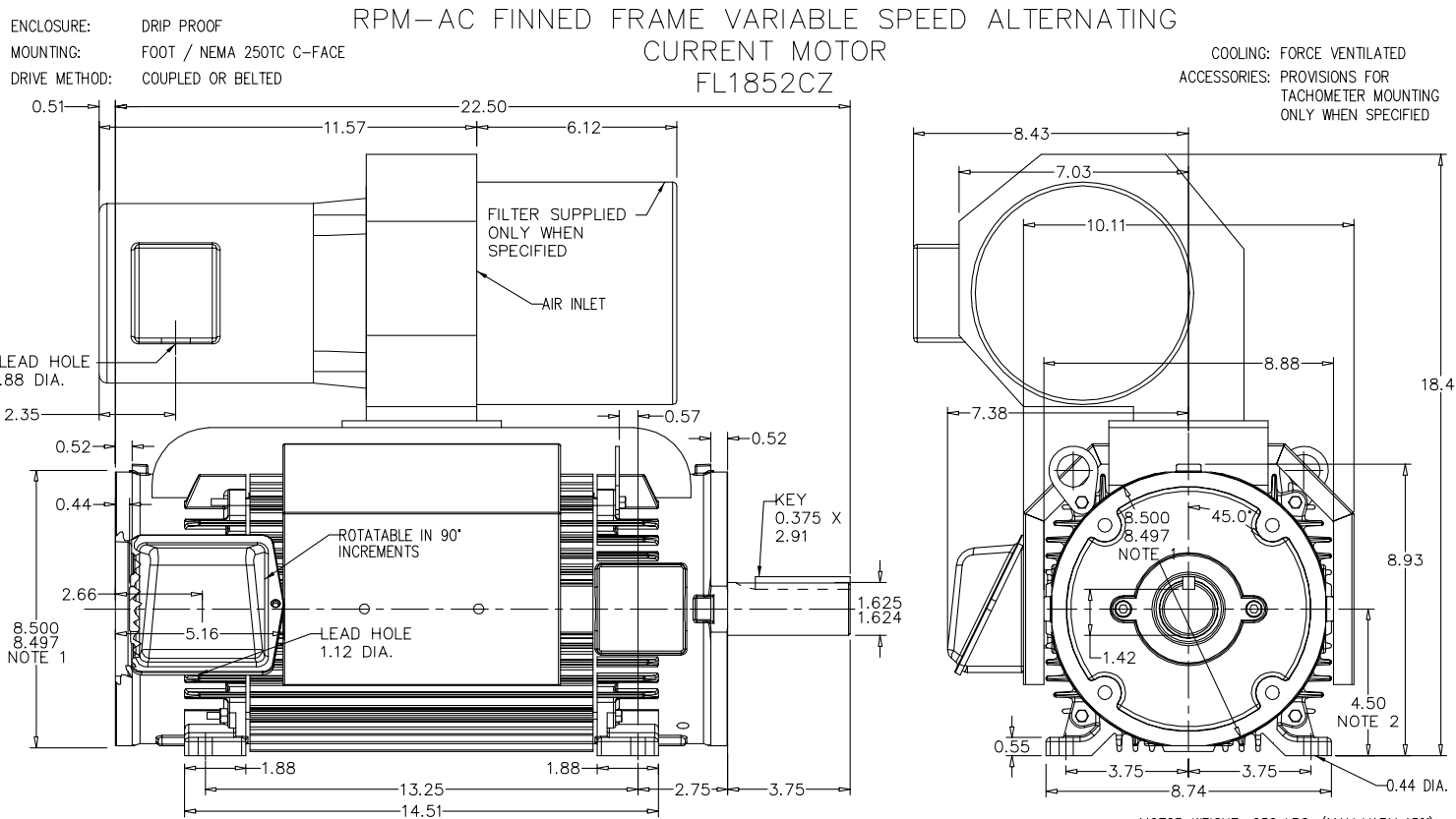


BALDOR
A MEMBER OF THE ABB GROUP

DR. BY B. GRANT
CR. BY H. GRANT
APP. BY T. EVON
DATE 3-31-98

A-C MOTOR
PERFORMANCE
CURVES
L1206A
SH 2 OF 2
ISSUE DATE 12-12-13

617236-023



ENCLOSURE: DRIP PROOF
 MOUNTING: FOOT / NEMA 250TC C-FACE
 DRIVE METHOD: COUPLED OR BELTED

RPM-AC FINNED FRAME VARIABLE SPEED ALTERNATING CURRENT MOTOR
 FL1852CZ

COOLING: FORCE VENTILATED
 ACCESSORIES: PROVISIONS FOR TACHOMETER MOUNTING ONLY WHEN SPECIFIED

NOTE 1: C-FACE & TACHOMETER MOUNTING
 1/2-13 TAP, 1.00 DEEP, ON A 7.25 DIA. BOLT CIRCLE
 FACE RUNOUT AND ECCENTRICITY 0.004 MAX. T.I.R.
 NOTE 2: SHAFT HEIGHT WILL NOT BE EXCEEDED
 SHIMS UP TO 0.03 INCHES IN THICKNESS ARE USUALLY
 REQUIRED FOR COUPLED OR GEARED MACHINES

TERMINAL BOX MAY BE LOCATED F1 OR F2 IF SPECIFIED
 40 AMP STEEL TERMINAL BOX SHOWN
 REFER TO 616779-50 FOR SPECIFIED TERMINAL BOX DIMENSIONS
 REFER TO 616779-55 FOR SPECIFIED TACHOMETER DIMENSIONS
 CUSTOMER IS RESPONSIBLE FOR DETERMINING THAT BALDOR'S PRODUCT WILL PERFORM SUITABLY IN THE INTENDED APPLICATION.

MOTOR WEIGHT: 230 LBS. (MAY VARY 15%)
 DIMENSIONS ARE IN INCHES SCALE: 1.00

REV. DESC: SEE TDR.		
REV. LTR: C	VERSION: 03	TDR: 00000751510
FILE: \RGG\00003\299	REVISED: 03:00:53 06/13/2012	BY: RGGJGG
MTL: -		

BALDOR

DIM SH 250TC RPMAC DPFV FL1852CZ FT MT PROV FOR TACH
 SH 1 of 1

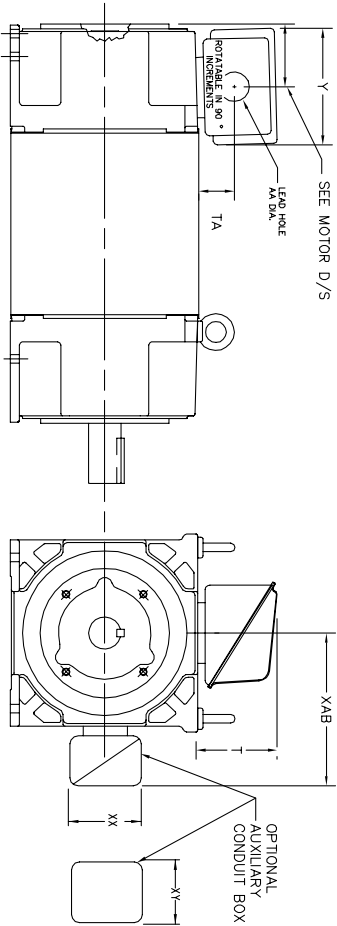
617236-023

618779-050

INDUSTRIAL ALTERNATING CURRENT MOTORS

RPM AC

STEEL, CAST IRON, MILL AND TERMINAL BOARD CONDUIT BOX DIMENSIONS
 NEMA FRAMES FL210 thru RL280 and IEC FRAMES RDL132 thru RDL180
 NEMA FRAMES FL180 thru FL280 and IEC FRAMES FDL112 thru FDL180



TERMINAL BOX	Y	TA	T	AA	MAX AMP	REMARKS
706310-63B	14.39	7.43	12.15	--	400	TERMINAL STRIP
706310-226R	9.00	3.06	5.40	Pg36 & Pq16	160	TERMINAL STRIP
706310-225R	7.25	2.30	4.40	Pg29 & Pq16	100	TERMINAL STRIP
706310-56B	9.00	3.06	5.40	Pg36 & Pq16	160	TERMINAL STRIP
706310-56A	7.75	2.30	4.40	Pg29 & Pq16	100	TERMINAL STRIP
706320-14D	15.00	7.56	12.81	5	510	CAST IRON
706320-13A	10.50	4.88	9.00	4.0 TAP	210	CAST IRON
706320-12B	9.25	4.81	8.56	3	140	CAST IRON
75460-62B	7.25	2.50	5.25	1.5 TAP	110	CAST IRON
706320-4C	5.75	2.38	4.38	1.0 TAP	60	CAST IRON FL180 ONLY
706310-3E	16.00	4.40	7.81	3	590	MILL
706310-3X	8.00	2.38	5.00	--	160	MILL
702658-1G	14.62	7.56	12.70	5	500	STEEL
706320-16A	9.00	4.12	8.44	4.59	305	STEEL
706320-9A	7.25	3.50	7.06	2.50	160	STEEL
75454-1AJ	7.69	2.38	5.25	1.94	121	STEEL
75452-B	6.34	2.00	4.12	1.75	61	STEEL
75452-G	6.34	2.00	4.12	--	61	SPECIAL
706320-5A	6.12	2.38	4.38	1.75/2.00	75	STEEL FL180 ONLY
706320-3A	5.00	1.62	3.00	1.12	40	STEEL FL180 ONLY
706320-7A	7.62	2.00	7.00	2.5/3.0	208	STEEL FL180 ONLY

FRAME SIZE	XAB	OPTIONAL AUXILIARY CONDUIT BOX DIMENSIONS (MAXIMUM)				PART NUMBER			
		XX	XY	XZ	XY				
FL210/FL132/RL210/RL132	7.38	4.25	4.25	6.0200-7-26-A	FL210/FL132/RL210/RL132	10.88	8.00	8.00	706310-3-B
FL220/FL180/RL220/RL180	8.44	4.23	4.23	6.0200-7-26-A	FL220/FL180/RL220/RL180	11.88	8.00	8.00	706310-3-B
FL280/FL180/RL280/RL180	9.12	4.23	4.23	6.0200-7-26-A	FL280/FL180/RL280/RL180	12.62	8.00	8.00	706310-3-B

- (1) 'AA' CONDUIT
- (2) 'AA' PIPE TAP
- (3) CUSTOMER TO PROVIDE HOLE FOR CONDUIT.
- (4) 'E' DN 'SA' or 'I' TAP DN '4C'

TERMINAL BOX CAN BE ROTATED FOR LEAD OUTLET AT TOP, SIDES OR BOTTOM.
 TERMINAL BOX LOCATED ON OPPOSITE SIDE WHEN F-2, W-1, W-4, W-5, W-7,
 OR C-1 MOUNTING IS SPECIFIED. BOX LOCATED ON TOP WHEN SPECIFIED.

050-60761919

CUSTOMER IS RESPONSIBLE FOR DETERMINING THAT BALDOR'S PRODUCT WILL PERFORM SUITABLY IN THE INTENDED APPLICATION.

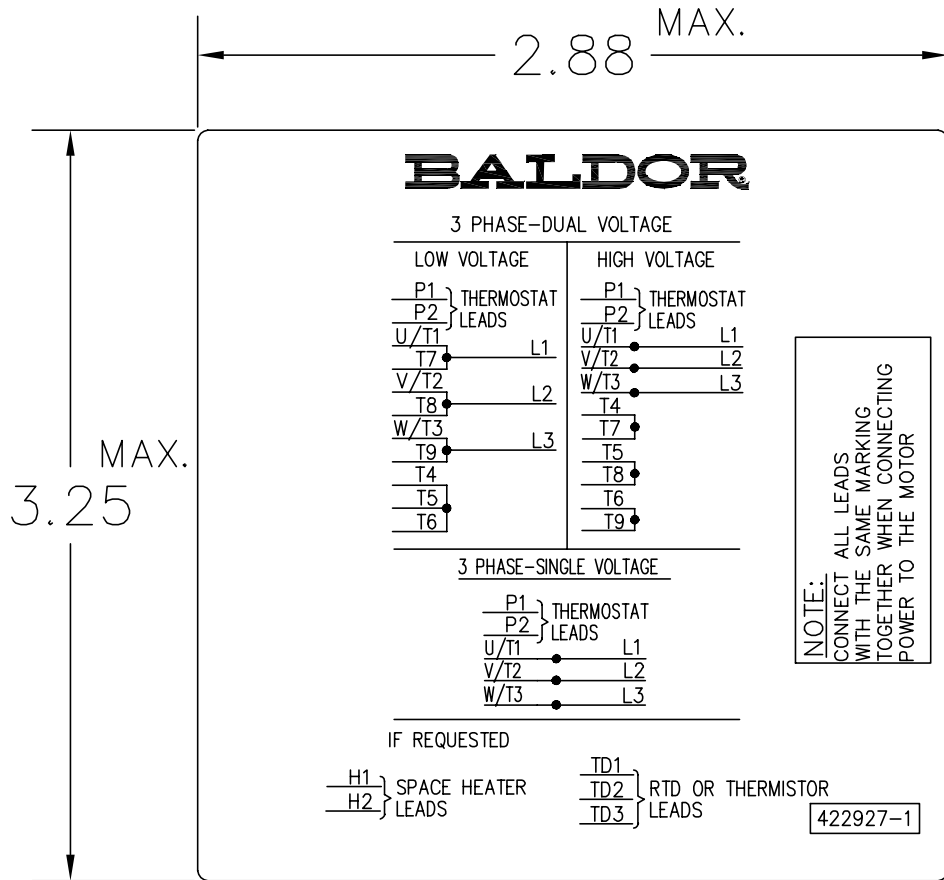
REV. DESC: BOX # 706320-9A, CHANGE AA DIM FROM 2 TO 2.50	TDR: 000000785386
REV. LTR: C	VERSION: 03
FILE: \RGG\00003\692	REVISED: 08:40:55 02/11/2013
MTL: -	BY: RGGWT

BALDOR

DIM SHT NEMA RL210-RL280 FL180-FL280 IEC RDL132-RDL180

SH 1 of 1

422927-001



NOTE:
DATA TO BE SIZED SO THAT IT FITS INTO MATERIAL DECAL DIMENSIONS. MAKE LETTERS & NUMBERS AS LARGE AS POSSIBLE.

MATERIAL: CERAMATIC DGF-P4
PERMA GRIP ADHESIVE

ALL LETTERS, NUMBERS AND LINES TO BE BLACK ON WHITE BACKGROUND.

422927-001

REV. DESC: CHANGE BACKGROUND COLOR FROM GOLD TO WHITE		
REV. LTR: B	VERSION: 02	TDR: 000000788708
FILE: \RGG\00000\203	REVISED: 08:09:29 03/04/2013	
MTL: -	BY: RGGWT	

BALDOR

EXTERNAL CONNECTION LABEL

SH 1 of 1

Marketing maintained PDF of MN406:

<http://www.baldor.com/support/Literature/Load.ashx/MN406?ManNumber=MN406>